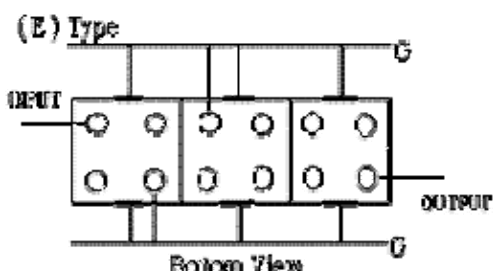
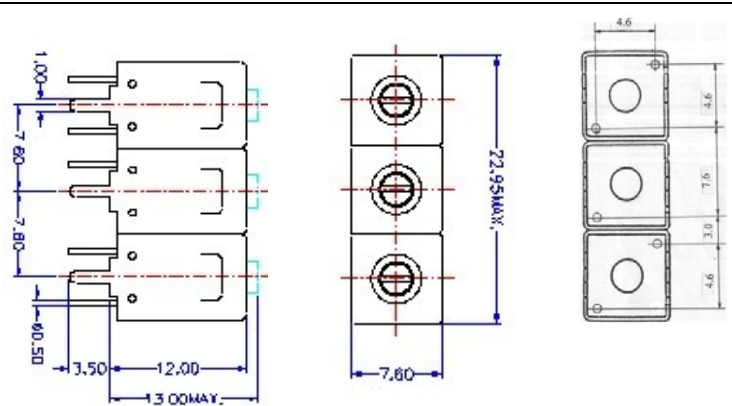


VHF UHF Helical Filter Specification Sheet

Customer Name		Temwell's Part No.	TTL67532E-600M
Approval No. /dated	20210054B	Acceptable Specify Fo. Range	596~640MHz
Work Instruction No.	20210054B	Date	Oct. 22, 2002

<p>(1) Pin Position</p>  <p style="text-align: center;">Bottom View</p>	<p>(2) Size Diagram</p> 
--	--

(3) Electric Character

Item	Specify	Performance	
Center Freq.(Fo) +/- 0.5 %	240 MHz	240 MHz	
Tunable Range	240±3 MHz	240±3 MHz	
Insertion Loss	Typ. 2.0 dB	1.2 dB	
-1 dB Bandwidth	Typ. 50 MHz	52 MHz	
-3 dB Bandwidth	Typ. 55 MHz	60 MHz	
Sensitivity (Attenuation)	Fo - 70 MHz	Typ. 27 dBc	29 dBc
	Fo + 70 MHz	Typ. 22 dBc	24 dBc
	Fo - ()MHz	Typ. dBc	dBc
	Fo +()MHz	Typ. dBc	dBc
Return Loss	Min. 12 dB	27 dB	
Ripple	< 1 dB	dB	
Impedance	In / Out : 75 Ω	In / Out : 75 Ω	
(4) Torque for Tuning Screw	> 60gf · cm		

(5) Temperature Condition:

Operating Temperature	0°C ~ +60°C
Storage Temperature	-20°C ~ +70°C

(6) Input Power

	> 1Watt
--	---------

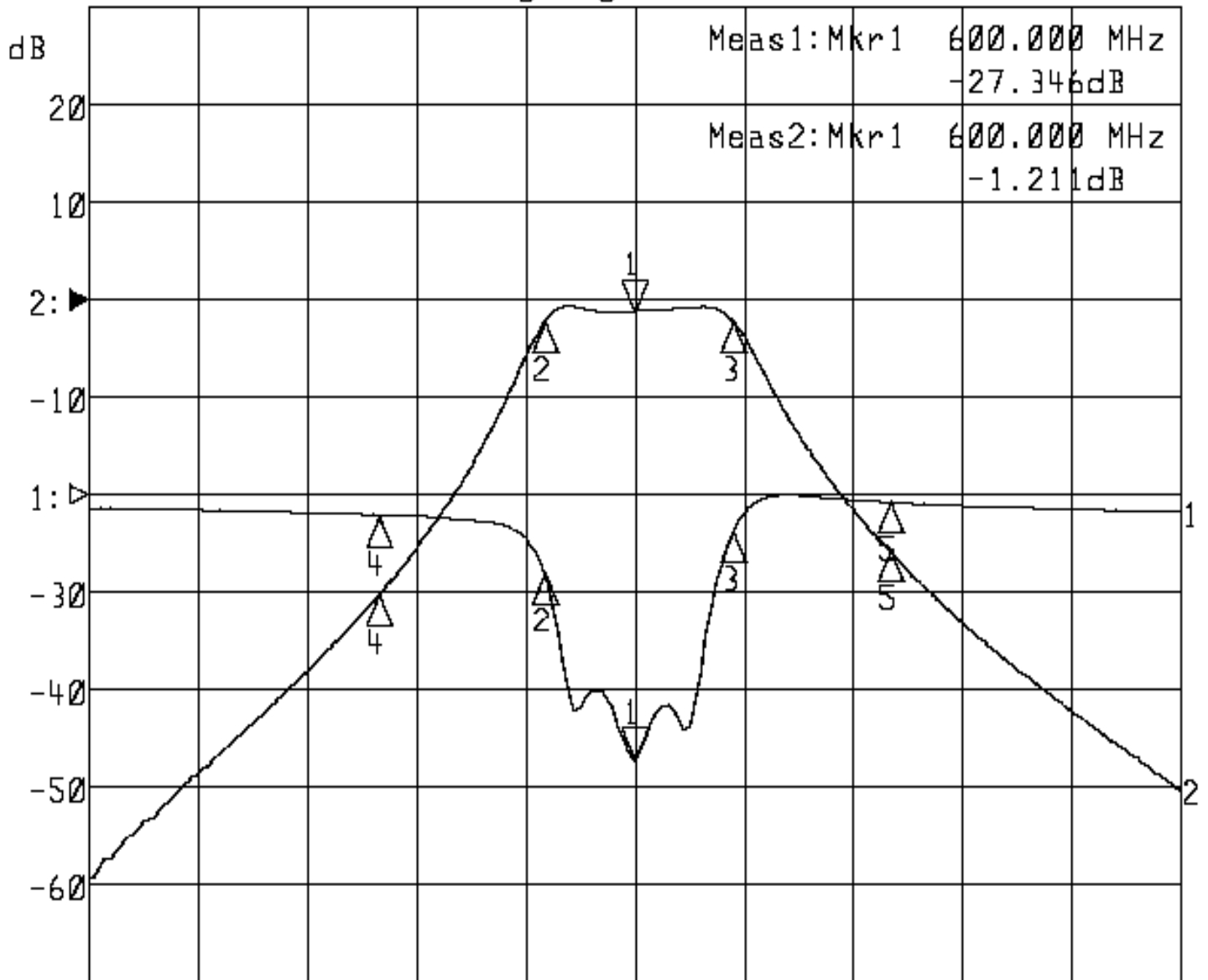
Approval	Supervisor	Designer	Aperture size
C.Y.Chang	C.S.Chang	C.S.Chang	7H3S4*6.5 7H046LB5

TEMWELL CORPORATION

Performance-TTL67532E-600M

20210054B

▶1:S11 Refl Port1 Log Mag 10.0 dB/ Ref 0.00 dB C
 ▶2:S21 Fwd Trans Log Mag 10.0 dB/ Ref 0.00 dB C



Center 600.000 MHz

Span 300.000 MHz

1:Mkr (MHz)	dB	2:Mkr (MHz)	dB
1> 600.0000	-27.346	1> 600.0000	-1.211
2: 575.2000	-8.098	2: 575.2000	-2.259
3: 627.1000	-3.729	3: 627.1000	-2.235
4: 530.0000	-2.143	4: 530.0000	-30.148
5: 670.0000	-0.835	5: 670.0000	-25.810