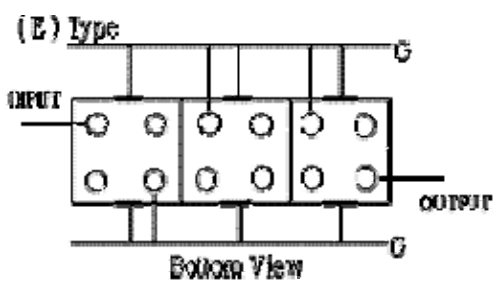
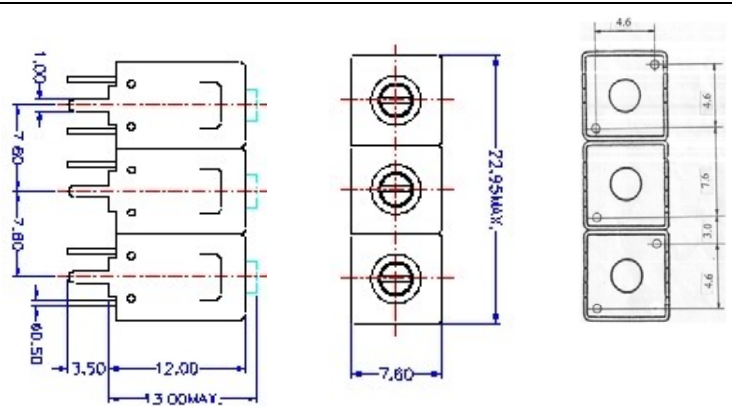


VHF UHF Helical Filter Specification Sheet

Customer Name		Temwell's Part No.	TTL67531E-565M
Approval No. /dated	20210053B	Acceptable Specify Fo. Range	556~595MHz
Work Instruction No.	20210053B	Date	Oct. 21, 2002

<p>(1) Pin Position</p>  <p style="text-align: center;">Bottom View</p>	<p>(2) Size Diagram</p> 
--	--

(3) Electric Character			
Item	Specify	Performance	
Center Freq.(Fo) +/- 0.5 %	565 MHz	565 MHz	
Tunable Range	565±5 MHz	565±5 MHz	
Insertion Loss	Typ. 2.0 dB	1.1 dB	
-1 dB Bandwidth	Typ. 42 MHz	45 MHz	
-3 dB Bandwidth	Typ. 47 MHz	50 MHz	
Sensitivity (Attenuation)	Fo - 100 MHz	Typ. 40 dBc	42 dBc
	Fo + 100 MHz	Typ. 34 dBc	36 dBc
	Fo - ()MHz	Typ. dBc	dBc
	Fo +()MHz	Typ. dBc	dBc
Return Loss	Min. 12 dB	24.2 dB	
Ripple	< 1 dB	dB	
Impedance	In / Out : 75 Ω	In / Out : 75 Ω	
(4) Torque for Tuning Screw	> 100gf · cm		
(5) Temperature Condition:			
Operating Temperature	0°C ~ +60°C		
Storage Temperature	-20°C ~ +70°C		
(6) Input Power	> 1Watt		

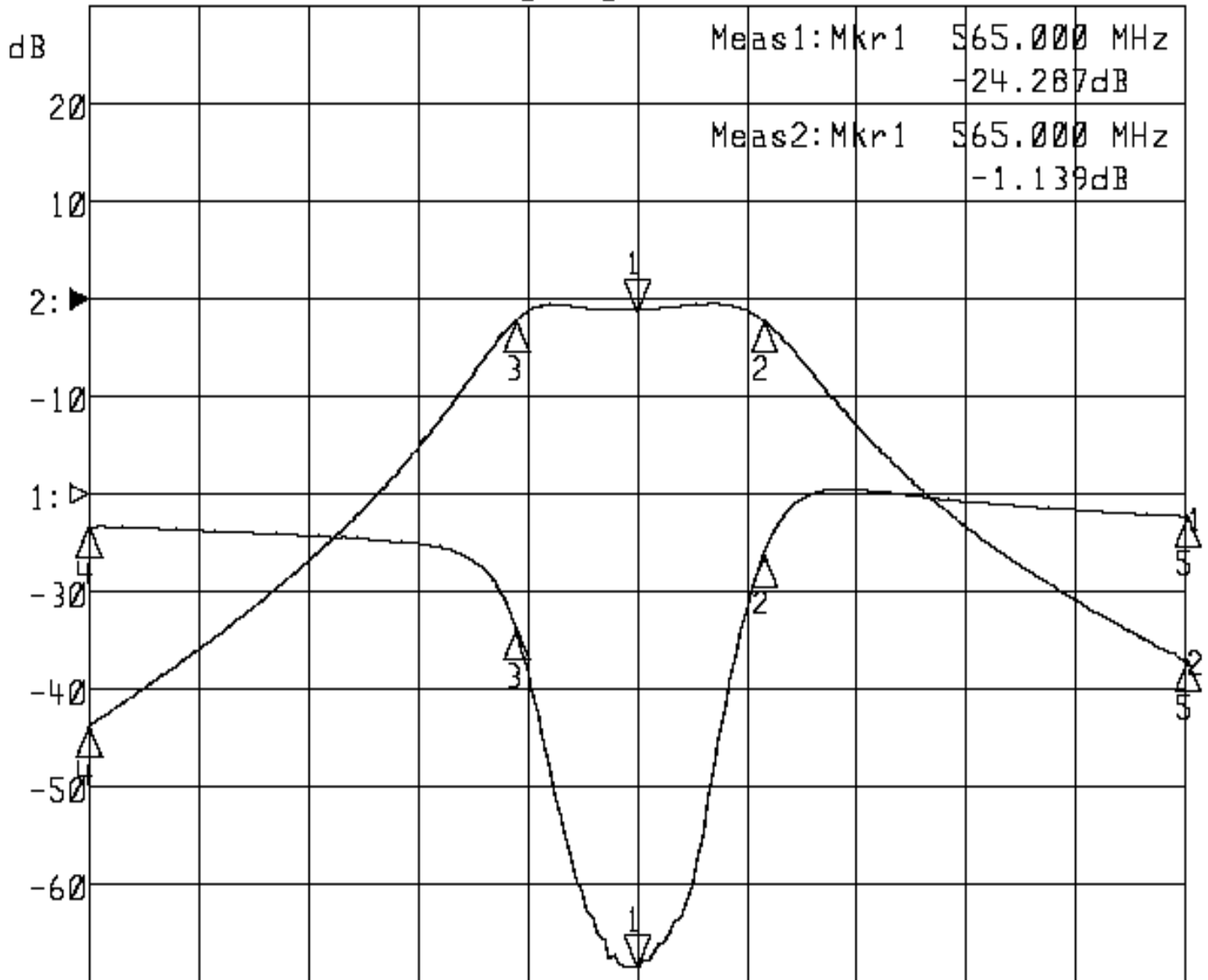
Approval	Supervisor	Designer	Aperture size
C.Y.Chang	C.S.Chang	C.S.Chang	7H3S4*6.5 7H046LB5

TEMWELL CORPORATION

Performance-TTL67531E-565M

20210053B

▷1:S11 Refl Port1 Log Mag 5.0 dB/ Ref 0.00 dB C
▶2:S21 Fwd Trans Log Mag 10.0 dB/ Ref 0.00 dB C



Center 565.000 MHz

Span 200.000 MHz

1:Mkr (MHz)	dB	2:Mkr (MHz)	dB
1> 565.0000	-24.287	1> 565.0000	-1.139
2: 588.0667	-3.072	2: 588.0667	-2.179
3: 542.9333	-6.894	3: 542.9333	-2.147
4: 465.0000	-1.676	4: 465.0000	-43.735
5: 665.0000	-1.162	5: 665.0000	-37.091