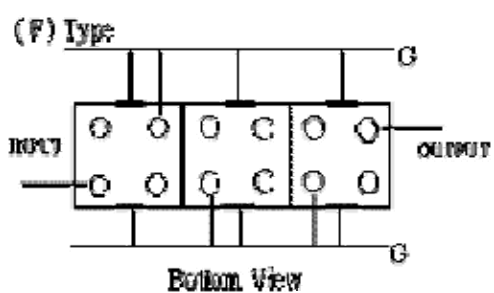
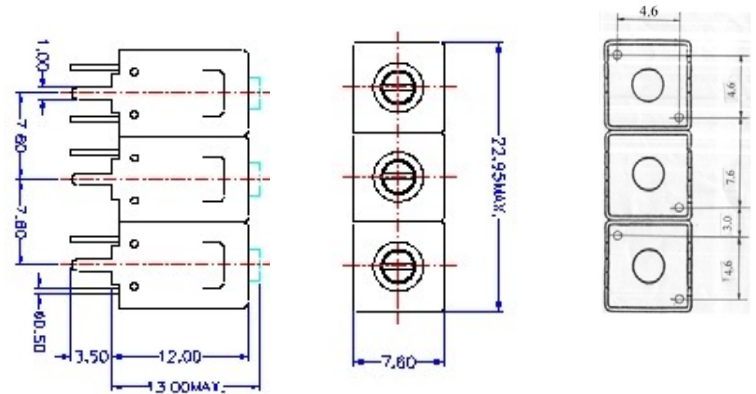


VHF UHF Helical Filter Specification Sheet

Customer Name		Temwell's Part No.	TTL67514F-770M
Approval No. /dated	20212029DC	Acceptable Specify Fo. Range	751~800MHz
Work Instruction No.	20212029DC	Date	Jan. 02, 2003

<p>(1) Pin Position</p>  <p style="text-align: center;">Bottom View</p>	<p>(2) Size Diagram</p> 
--	--

(3) Electric Character

Item	Specify	Performance	
Center Freq.(Fo) +/- 0.5 %	770 MHz	770 MHz	
Tunable Range	770±3 MHz	770±3 MHz	
Insertion Loss	Typ. 2.0 dB	1.08 dB	
-3 dB Bandwidth	Typ. 68 MHz	72.3 MHz	
Sensitivity (Attenuation)	Fo - 150 MHz	Typ. 36 dBc	39 dBc
	Fo + 150 MHz	Typ. 30 dBc	33 dBc
	Fo - ()MHz	Typ. dBc	dBc
	Fo + ()MHz	Typ. dBc	dBc
Return Loss	Min. 12 dB	15.1 dB	
Ripple	< 1 dB	dB	
Impedance	In / Out : 50 Ω	In / Out : 50 Ω	

(4) Torque for Tuning Screw > 100gf · cm

(5) Temperature Condition:

Operating Temperature	0°C ~ +60°C
Storage Temperature	-20°C ~ +70°C

(6) Input Power > 1Watt

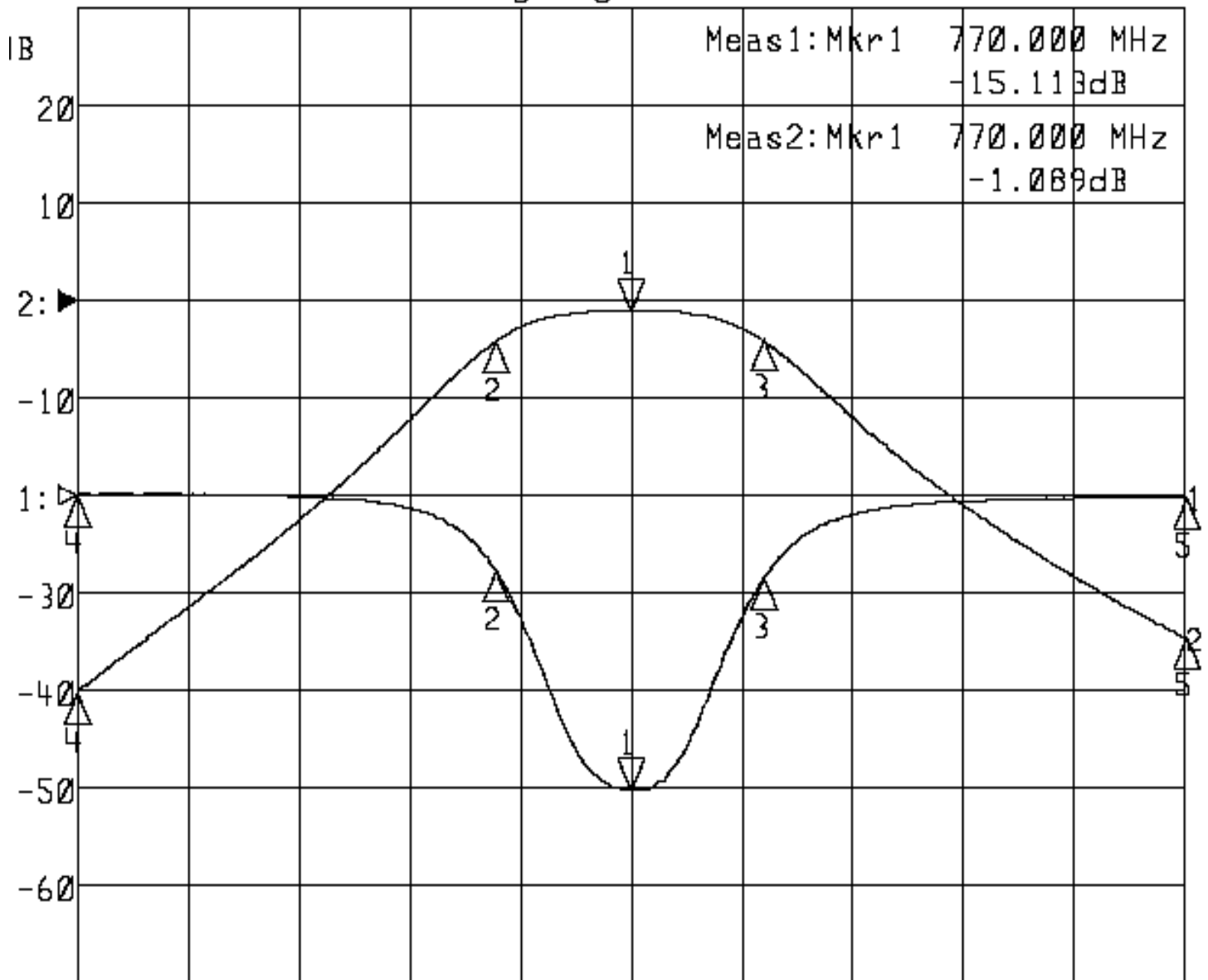
Approval	Supervisor	Designer	Aperture size
C.Y.Chang	C.S.Chang	C.S.Chang	7H3S 4*8.0 7H046RB5.5

TEMWELL CORPORATION

Performance-TTL67514F-770M

20212029DC

▶1: S11 Refl Port1 Log Mag 5.0 dB/ Ref 0.00 dB C
 ▶2: S21 Fwd Trans Log Mag 10.0 dB/ Ref 0.00 dB C



Center 770.000 MHz

Span 300.000 MHz

1: Mkr (MHz)	dB	2: Mkr (MHz)	dB
1> 770.0000	-15.113	1> 770.0000	-1.089
2: 733.6000	-3.909	2: 733.6000	-4.129
3: 805.9000	-4.230	3: 805.9000	-4.105
4: 620.0000	0.062	4: 620.0000	-40.188
5: 920.0000	-0.074	5: 920.0000	-34.548