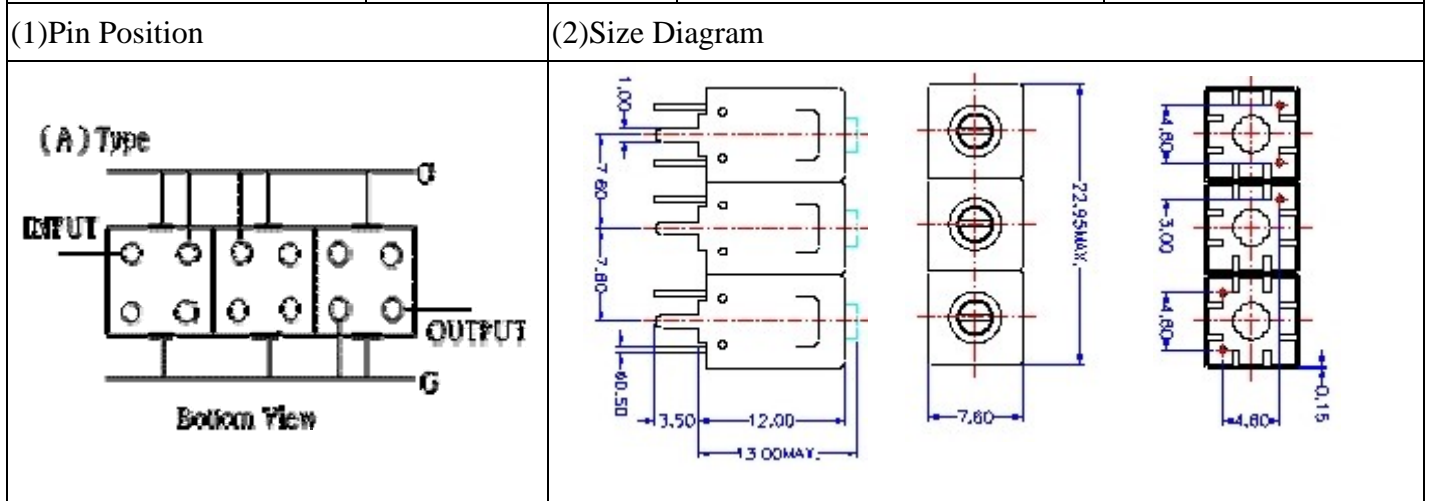


VHF UHF Helical Filter Specification Sheet

Customer Name		Temwell's Part No.	TTL67514A-765M
Approval No. /dated	20203034DC	Acceptable Specify Fo. Range	751~800MHz
Work Instruction No.	20203034DC	Date	March 19, 2002



(3) Electric Character

Item	Specify	Performance
Center Freq.(Fo) +/- 0.5 %	765 MHz	765 MHz
Tunable Range	765±3 MHz	765±3 MHz
Insertion Loss	Typ. 2.5 dB	1.80 dB
-3 dB Bandwidth	Typ. 65 MHz	69.6 MHz
Sensitivity (Attenuation)	Fo - 100 MHz	Typ. 34 dBc
	Fo + 100 MHz	Typ. 20 dBc
	Fo - ()MHz	Typ. dBc
	Fo + ()MHz	Typ. dBc
Return Loss	Min. 12 dB	23.9 dB
Ripple	< 1 dB	dB
Impedance	In / Out : 75 Ω	In / Out : 75 Ω

(4) Torque for Tuning Screw > 100gf • cm

(5) Temperature Condition:

Operating Temperature	0°C ~ +60°C
Storage Temperature	-20°C ~ +70°C

(6) Input Power > 1Watt

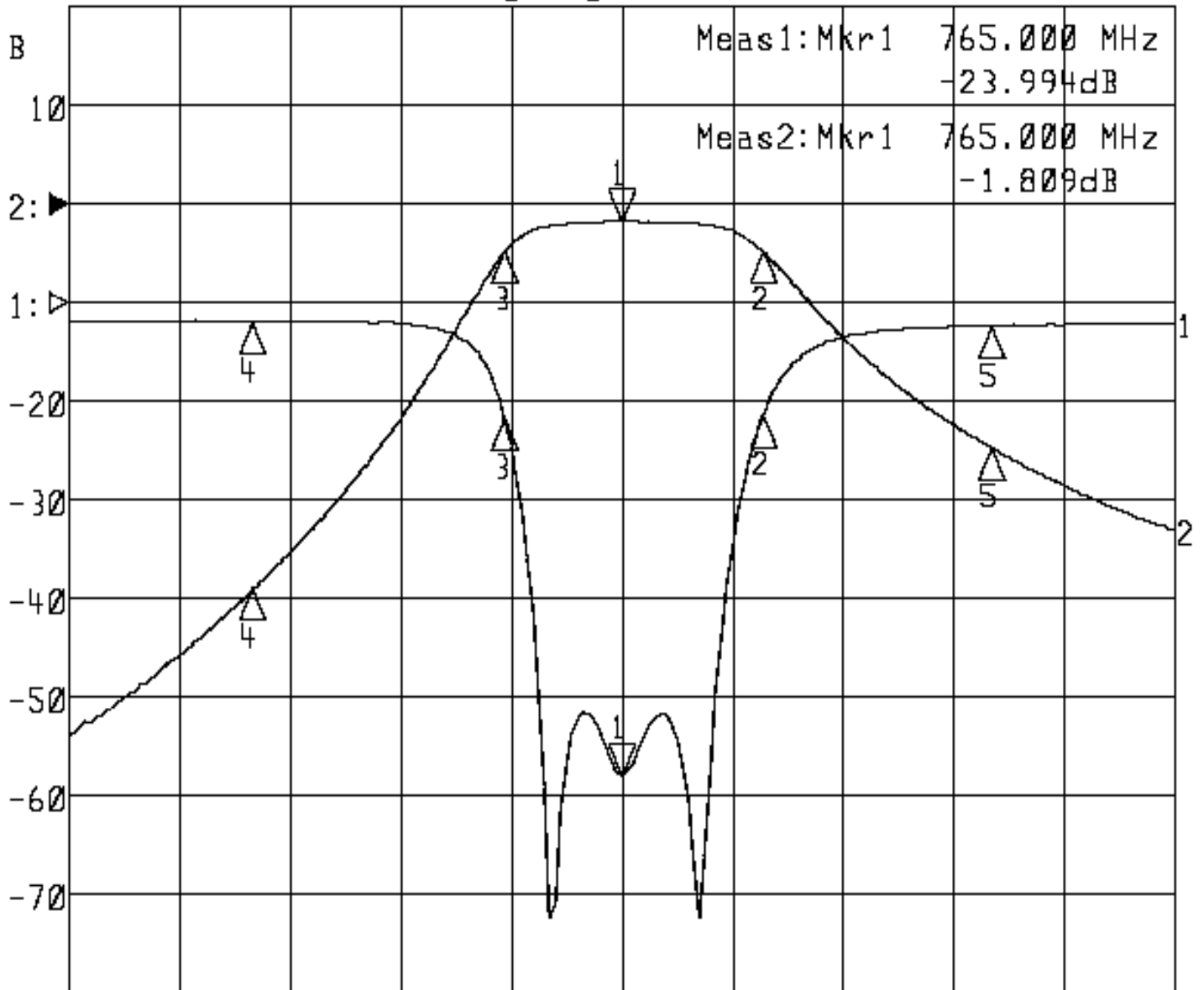
Approval	Supervisor	Designer	Aperture size
C. Y.Chang	C. S.Chang	C. S.Chang	7H3S(4*6.5) 7H046LB6

TEMWELL CORPORATION

Performance-TTL67514A-765M

20203034DC

▶1:S11 Refl Port1 Log Mag 5.0 dB/ Ref 0.00 dB C
▶2:S21 Fwd Trans Log Mag 10.0 dB/ Ref 0.00 dB C



Center 765.000 MHz

Span 300.000 MHz

1: Mkr (MHz)	dB	2: Mkr (MHz)	dB
1> 765.0000	-23.994	1> 765.0000	-1.809
2: 803.0667	-5.808	2: 803.0667	-4.734
3: 733.4667	-5.922	3: 733.4667	-4.728
4: 665.0000	-0.984	4: 665.0000	-39.111
5: 865.0000	-1.199	5: 865.0000	-24.667