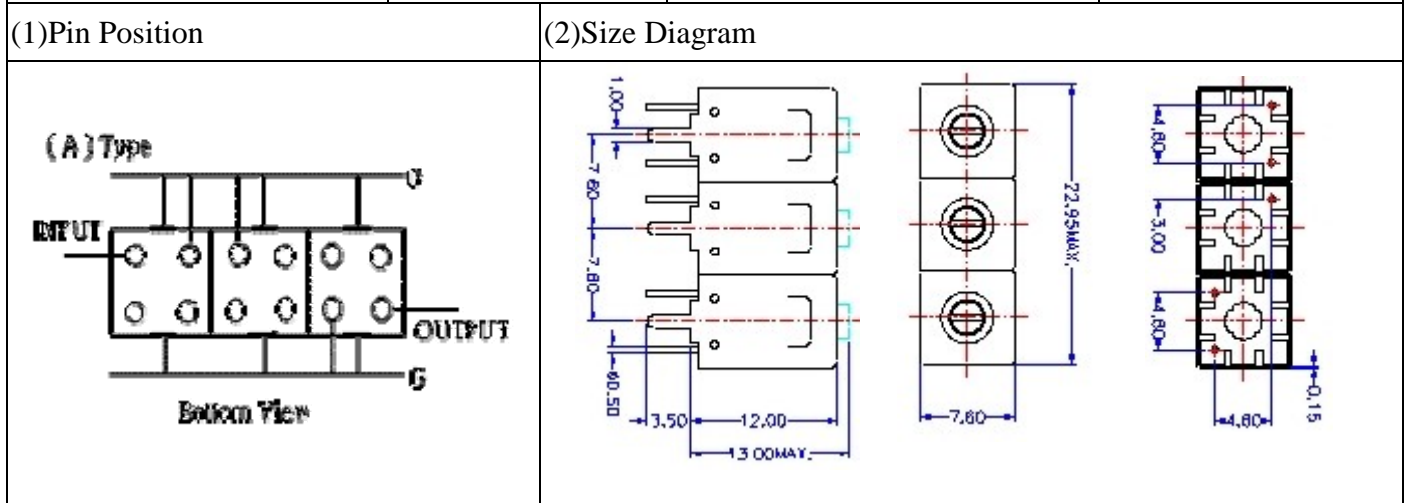


VHF UHF Helical Filter Specification Sheet

Customer Name		Temwell's Part No.	TTL67505A-735M
Approval No. /dated	20203035DC	Acceptable Specify Fo. Range	701~750MHz
Work Instruction No.	20203035DC	Date	March 19, 2002



(3) Electric Character

Item	Specify	Performance
Center Freq.(Fo) +/- 0.5 %	735 MHz	735 MHz
Tunable Range	735±3 MHz	735±3 MHz
Insertion Loss	Typ. 2.5 dB	1.4 dB
-3 dB Bandwidth	Typ. 56 MHz	63 MHz
Sensitivity (Attenuation)	Fo - 100 MHz	Typ. 38 dBc
	Fo + 100 MHz	Typ. 24 dBc
	Fo - ()MHz	Typ. dBc
	Fo + ()MHz	Typ. dBc
Return Loss	Min. 12 dB	33 dB
Ripple	< 1 dB	dB
Impedance	In / Out : 75 Ω	In / Out : 75 Ω

(4) Torque for Tuning Screw > 60gf · cm

(5) Temperature Condition:

Operating Temperature	0°C ~ +60°C
Storage Temperature	-20°C ~ +70°C

(6) Input Power > 1Watt

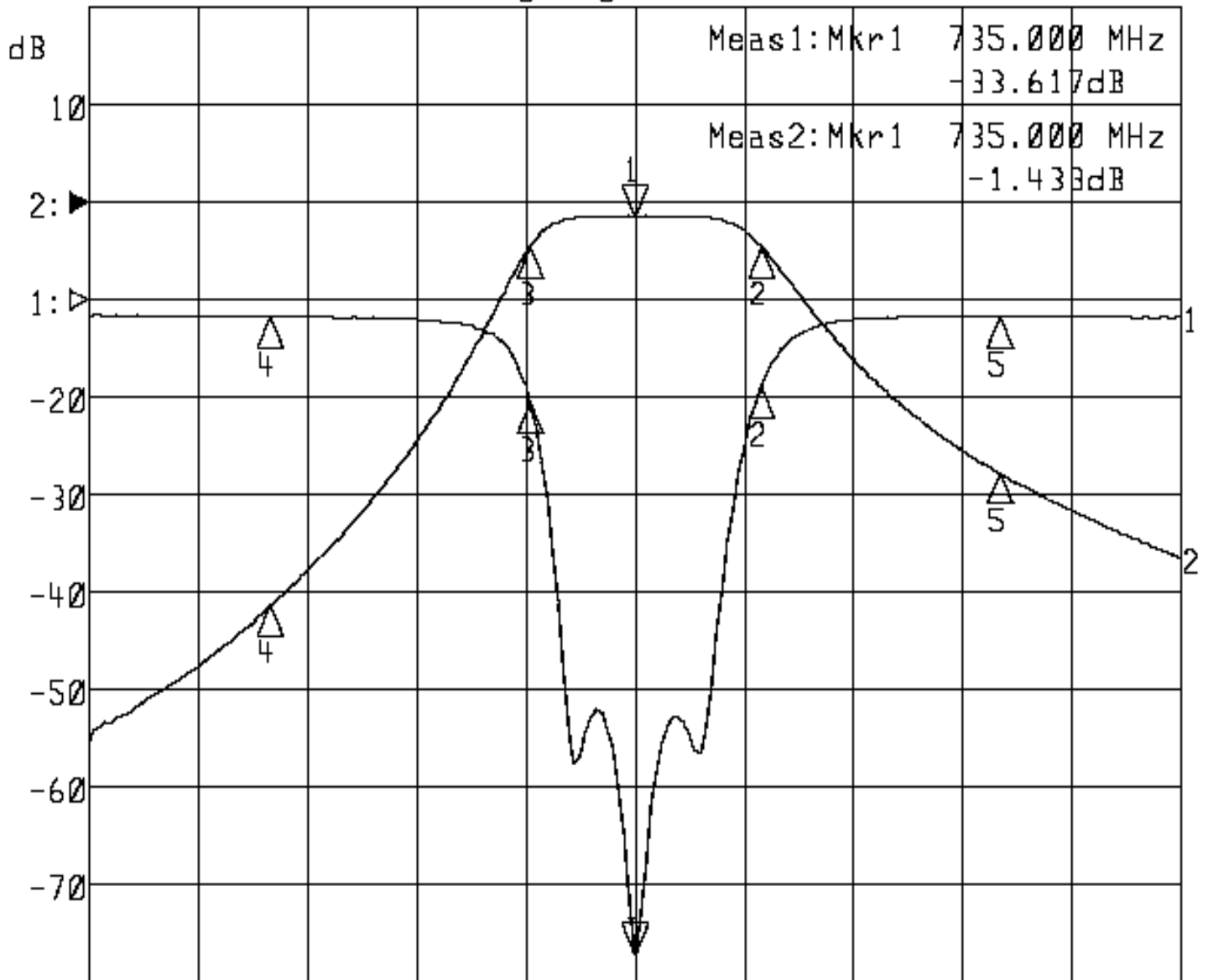
Approval	Supervisor	Designer	Aperture size
C.Y.Chang	C.S.Chang	C.S.Chang	7H3S(4*6.5) 7H046LB6

TEMWELL CORPORATION

Performance-TTL67505A-735M

20203035DC

▷1:S11 Refl Port1 Log Mag 5.0 dB/ Ref 0.00 dB C
▶2:S21 Fwd Trans Log Mag 10.0 dB/ Ref 0.00 dB C



Center 735.000 MHz

Span 300.000 MHz

1:Mkr (MHz)	dB	2:Mkr (MHz)	dB
1> 735.0000	-33.617	1> 735.0000	-1.433
2: 769.5667	-4.467	2: 769.5667	-4.438
3: 706.3667	-5.265	3: 706.3667	-4.455
4: 635.0000	-0.883	4: 635.0000	-41.348
5: 835.0000	-0.869	5: 835.0000	-27.770