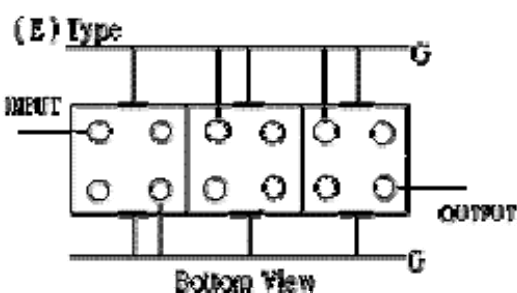
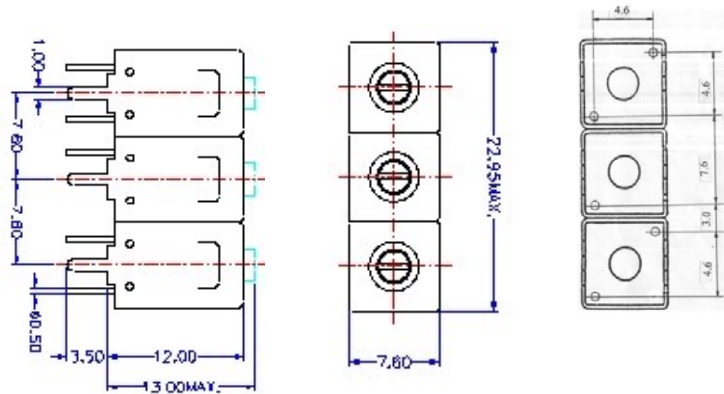


VHF UHF Helical Filter Specification Sheet

Customer Name		Temwell's Part No.	TTL67501E-615M
Approval No. /dated	20203037DC	Acceptable Specify Fo. Range	596~640MHz
Work Instruction No.	20203037DC	Date	March 19, 2002

<p>(1) Pin Position</p>  <p style="text-align: center;">(E) Type Bottom View</p>	<p>(2) Size Diagram</p> 
---	--

(3) Electric Character

Item	Specify	Performance	
Center Freq.(Fo) +/- 0.5 %	615 MHz	615 MHz	
Tunable Range	615±3 MHz	615±3 MHz	
Insertion Loss	Typ. 2.0 dB	0.9 dB	
-3 dB Bandwidth	Typ. 66 MHz	72 MHz	
Sensitivity (Attenuation)	Fo - 100 MHz	Typ. 28 dBc	30 dBc
	Fo + 100 MHz	Typ. 26 dBc	28 dBc
	Fo - ()MHz	Typ. dBc	dBc
	Fo + ()MHz	Typ. dBc	dBc
Return Loss	Min. 12 dB	27 dB	
Ripple	< 1 dB	dB	
Impedance	In / Out : 75 Ω	In / Out : 75 Ω	
(4) Torque for Tuning Screw	> 60gf · cm		

(5) Temperature Condition:

Operating Temperature	0°C ~ +60°C
Storage Temperature	-20°C ~ +70°C

(6) Input Power

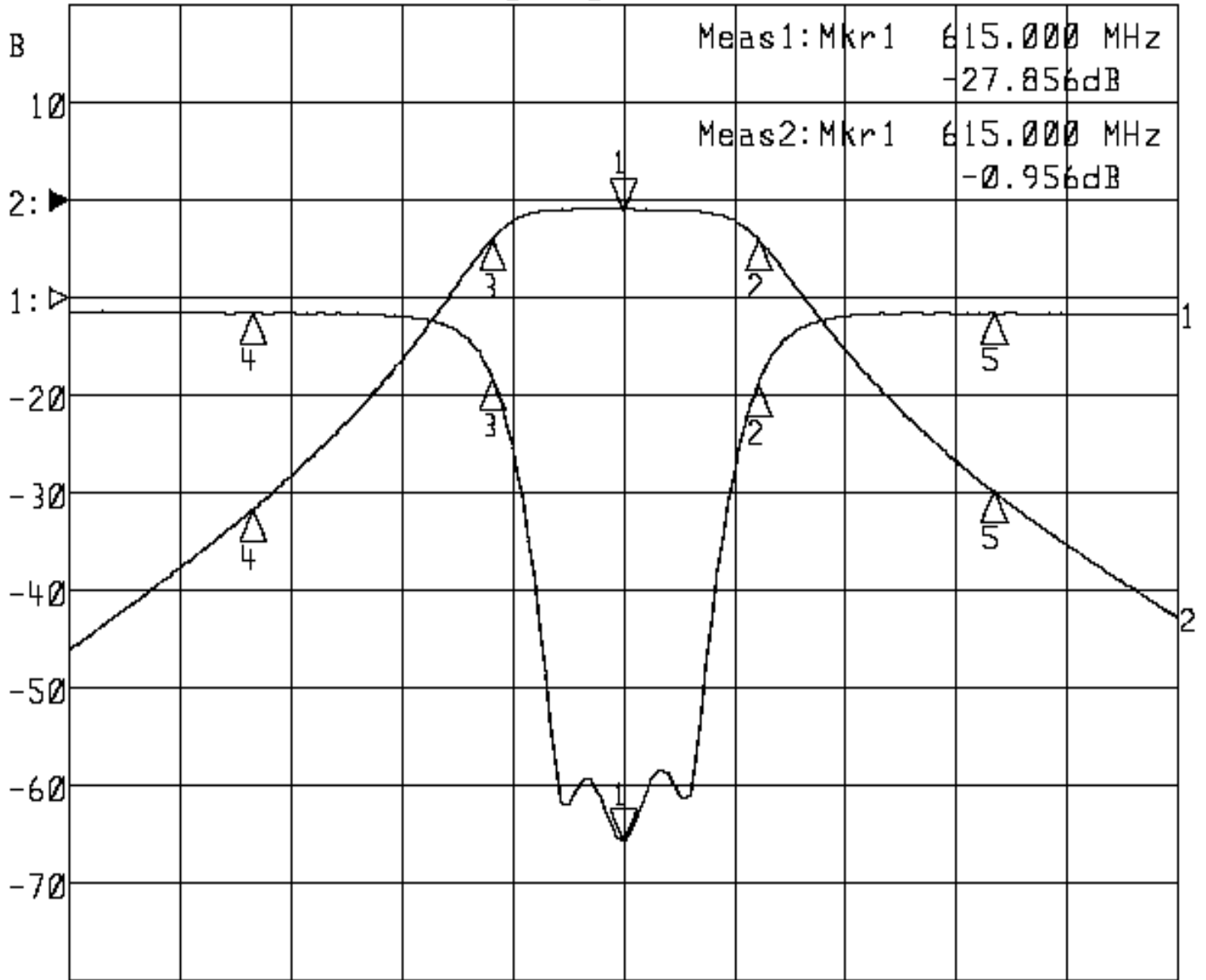
		> 1Watt	
Approval	Supervisor	Designer	Aperture size
C.Y.Chang	C.S.Chang	C.S.Chang	7H3S4*7.5 7H046LB6

TEMWELL CORPORATION

Performance-TTL67501E-615M

20203037DC

▶1:S11 Refl Port1 Log Mag 5.0 dB/ Ref 0.00 dB C
▶2:S21 Fwd Trans Log Mag 10.0 dB/ Ref 0.00 dB C



Center 615.000 MHz

Span 300.000 MHz

1: Mkr (MHz)	dB	2: Mkr (MHz)	dB
1> 615.0000	-27.856	1> 615.0000	-0.956
2: 651.3000	-4.447	2: 651.3000	-3.916
3: 579.5667	-4.098	3: 579.5667	-3.971
4: 515.0000	-0.805	4: 515.0000	-31.673
5: 715.0000	-0.803	5: 715.0000	-29.834