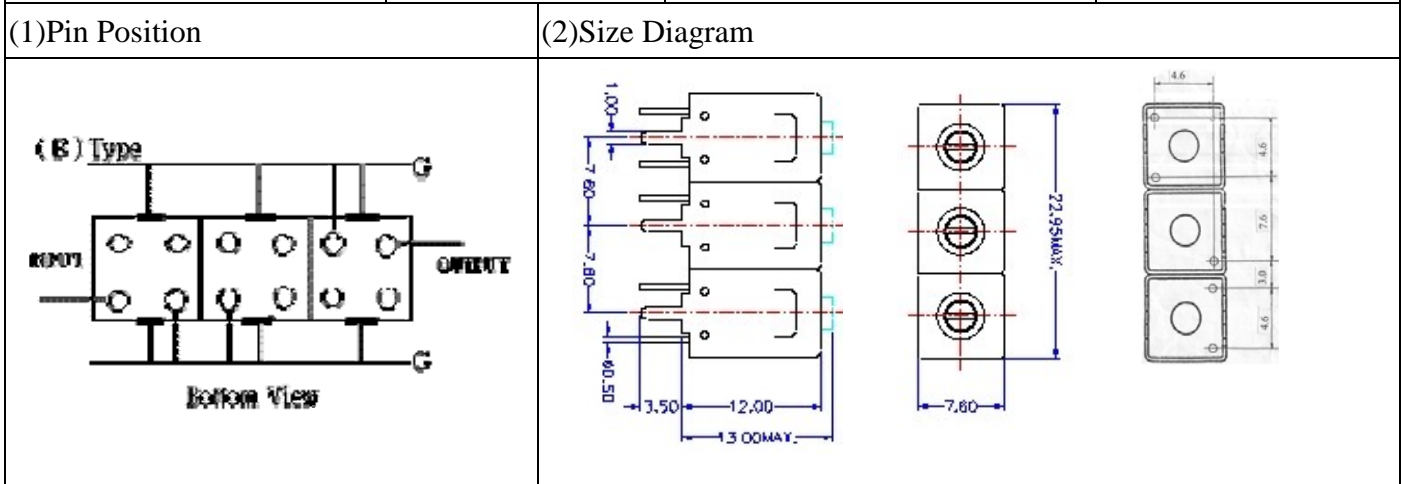


# VHF UHF Helical Filter Specification Sheet

Customer Name		Temwell's Part No.	TTL67499B-579M
Approval No. /dated	20408038DC	Acceptable Specify Fo. Range	556~595MHz
Work Instruction No.	20408038DC	Date	Mar.18.2002



(3) Electric Character

Item	Specify	Performance
Center Freq.(Fo) +/- 0.5 %	579 MHz	579 MHz
Tunable Range	579±5 MHz	579±5 MHz
Insertion Loss	Typ. 2.0 dB	0.1 dB
-3 dB Bandwidth	Typ. 73 MHz	76 MHz
Sensitivity (Attenuation)	Fo - 150 MHz	Typ. 46 dBc
	Fo + 150 MHz	Typ. 31 dBc
	Fo - ( )MHz	Typ. dBc
	Fo +( )MHz	Typ. dBc
Return Loss	Min. 12 dB	33.3 dB
Ripple	< 1 dB	dB
Impedance	In / Out : 75 Ω	In / Out : 75 Ω
(4) Torque for Tuning Screw	> 100gf · cm	

(5) Temperature Condition:

Operating Temperature	0°C ~ +60°C
Storage Temperature	-20°C ~ +70°C
(6) Input Power	> 1Watt

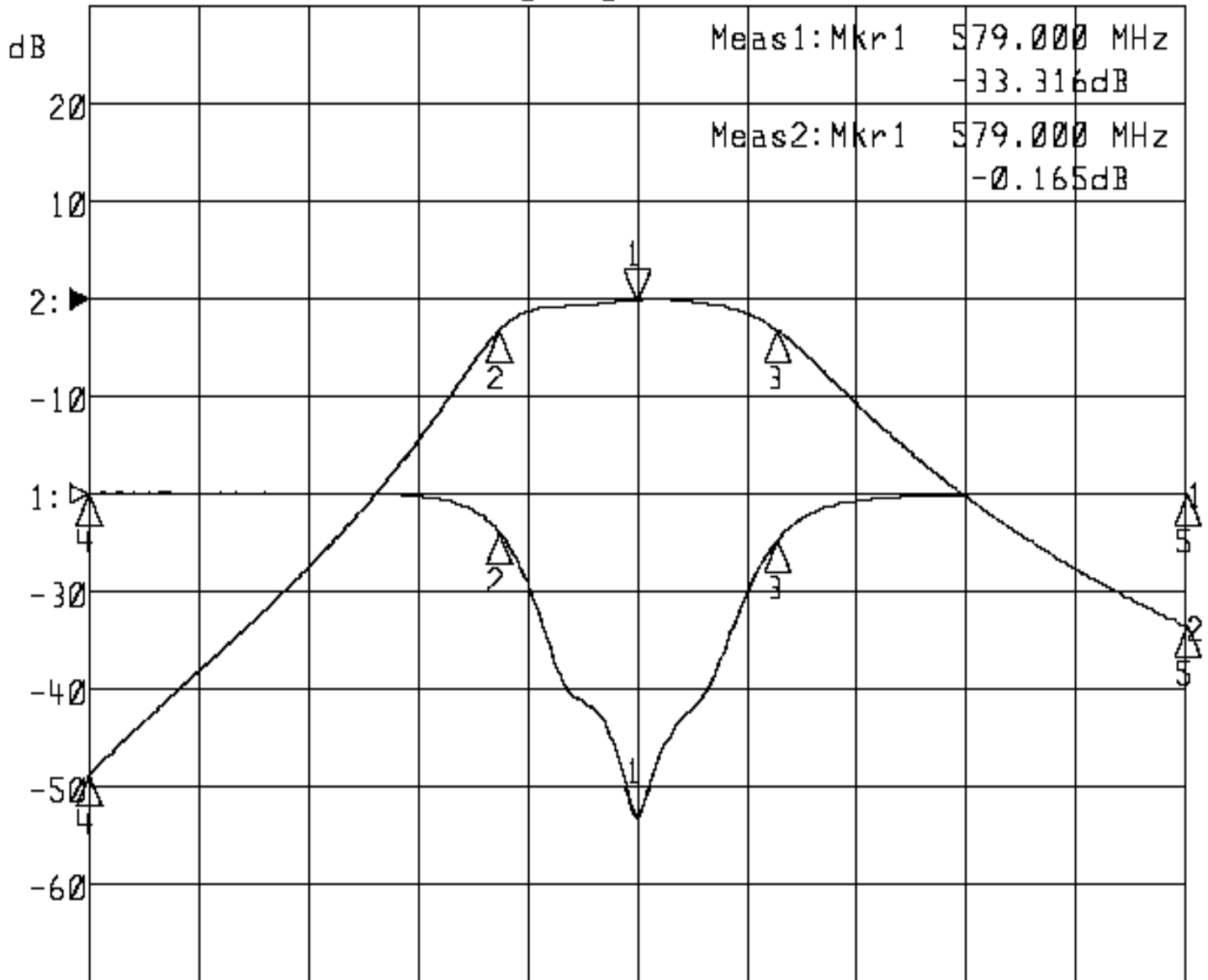
Approval	Supervisor	Designer	Aperture size
C.Y. Chang	C.S. Chang	P.H. Chiang	7H3S(4*7.5)F 7H046LB6

TEMWELL CORPORATION

# Performance-TTL67499B-579M

## 20408038DC

▷1:S11 Refl Port1 Log Mag 10.0 dB/ Ref 0.00 dB C  
▶2:S21 Fwd Trans Log Mag 10.0 dB/ Ref 0.00 dB C



Center 579.000 MHz

Span 300.000 MHz

1:Mkr (MHz)	dB	2:Mkr (MHz)	dB
1> 579.0000	-33.316	1> 579.0000	-0.165
2: 541.4000	-3.939	2: 541.4000	-3.180
3: 617.4000	-4.719	3: 617.4000	-3.170
4: 429.0000	0.092	4: 429.0000	-48.807
5: 729.0000	0.054	5: 729.0000	-33.446