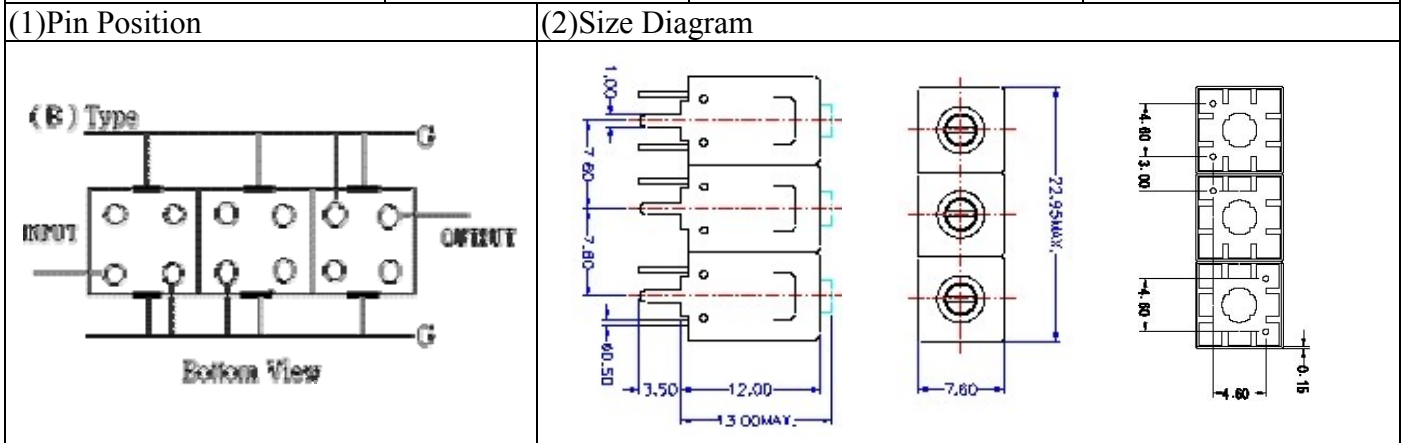
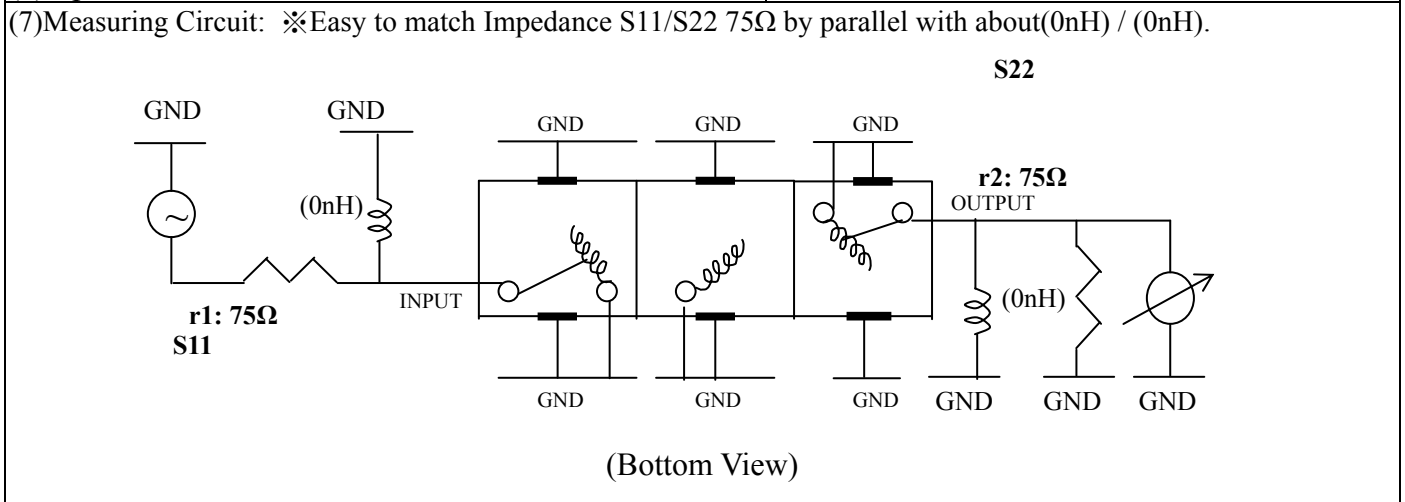


# VHF UHF Helical Filter Specification Sheet

Customer Name		Temwell's Part No.	TTL67497B-562.5M
Approval No. /dated	200809063CD	Temwell's Print name	67497B 562.5M
Work Instruction No.	200809063CD	Date	Sep.12.2008



(3) Electric Characteristic			
Item	Specify	Performance	
Center Freq.(Fo) +/- 0.5 %	562.5 MHz	562.5	MHz
Tunable Range:	562.5±5 MHz	562.5±5	MHz
Insertion Loss	Typ. 1.5 dB	0.74	dB
-3 dB Bandwidth	Typ. 73 MHz	80.6	MHz
Sensitivity (Attenuation)	Fo - 100 MHz	Typ. 28	dBc
	Fo + 100 MHz	Typ. 20	dBc
	Fo - ( )MHz	Typ.	dBc
	Fo +( )MHz	Typ.	dBc
Return Loss	Min. 12 dB	24.5	dB
Ripple	< 1 dB		dB
Impedance	In / Out : 75 Ω	In / Out : 75 Ω	
(4) Torque for Tuning Screw			
		> 100gf · cm	
(5) Temperature Condition:			
Operating Temperature		0°C ~ +60°C	
Storage Temperature		-20°C ~ +70°C	
(6) Input Power		> 1 Watt	



Approval	Supervisor	Designer	Aperture size
C.Y.Chang	C.S.Chang	C.S.Chang	7H3S(4*7.5)F 7H046LB5.5

TEMWELL CORPORATION

# Performance-TTL67497B-562.5M

## 200809063CD



Ch1	Tr1	S11	>1	562.50000	MHz	-24.528	dB
Ch1	Tr1	S11	2	603.35100	MHz	-3.7494	dB
Ch1	Tr1	S11	3	522.70000	MHz	-4.4094	dB
Ch1	Tr1	S11	4	462.50000	MHz	-0.2818	dB
Ch1	Tr1	S11	5	662.50000	MHz	-0.3589	dB
Ch1	Tr2	S21	1	562.50000	MHz	-0.7428	dB
Ch1	Tr2	S21	2	603.35100	MHz	-3.7088	dB
Ch1	Tr2	S21	3	522.70000	MHz	-3.6925	dB
Ch1	Tr2	S21	4	462.50000	MHz	-32.420	dB
Ch1	Tr2	S21	5	662.50000	MHz	-24.188	dB