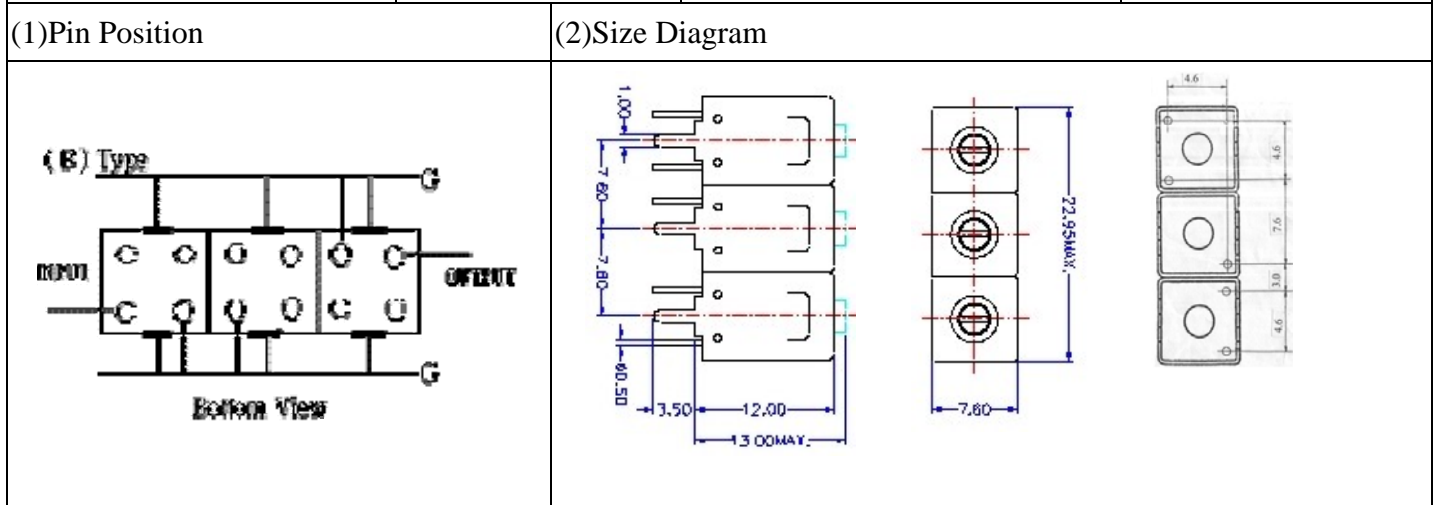


VHF UHF Helical Filter Specification Sheet

Customer Name		Temwell's Part No.	TTL67495B-483M
Approval No. /dated	20203039DC	Acceptable Specify Fo. Range	456~515MHz
Work Instruction No.	20203039DC	Date	Mar.18.2002



(3) Electric Character

Item	Specify	Performance
Center Freq.(Fo) +/- 0.5 %	483 MHz	483 MHz
Tunable Range	483±3 MHz	483±3 MHz
Insertion Loss	Typ 2.0 dB	0.3 dB
-3 dB Bandwidth	Typ 62 MHz	67 MHz
Sensitivity (Attenuation)	Fo - 150 MHz	Typ. 55 dBc
	Fo + 150 MHz	Typ. 32 dBc
	Fo - ()MHz	Typ. dBc
	Fo +()MHz	Typ. dBc
Return Loss	Min. 12 dB	16 dB
Ripple	< 1 dB	dB
Impedance	In / Out : 75 Ω	In / Out : 75 Ω

(4) Torque for Tuning Screw > 60gf • cm

(5) Temperature Condition:

Operating Temperature	0°C ~ +60°C
Storage Temperature	-20°C ~ +70°C

(6) Input Power > 1Watt

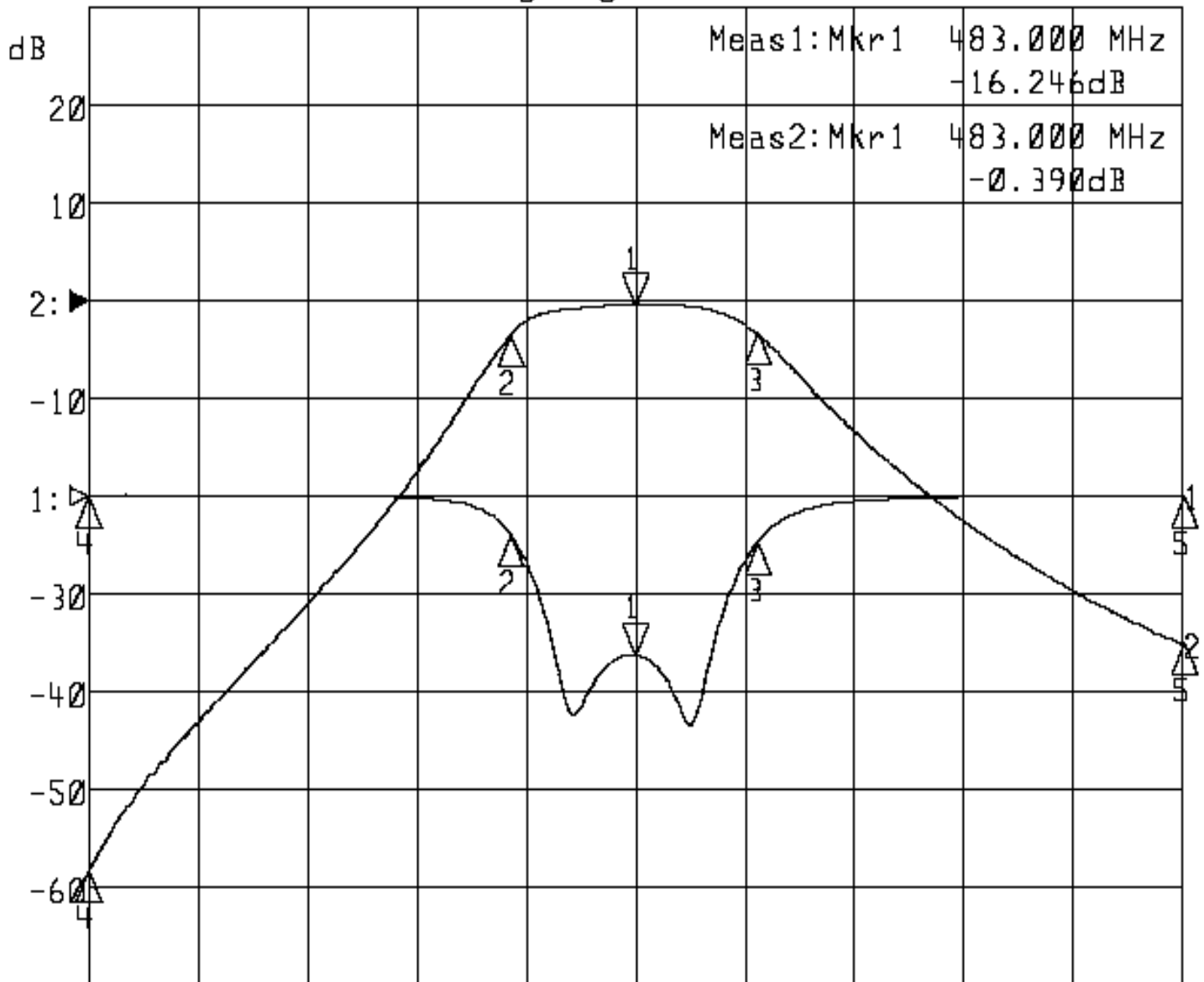
Approval	Supervisor	Designer	Aperture size
C.Y. Chang	C.S. Chang	C.S. Chang	7H3S(4*7.5)F 7H046LB6

TEMWELL CORPORATION

Performance-TTL67495B-483M

20203039DC

▶1:S11 Refl Port1 Log Mag 10.0 dB/ Ref 0.00 dB C
▶2:S21 Fwd Trans Log Mag 10.0 dB/ Ref 0.00 dB C



Center 483.000 MHz

Span 300.000 MHz

1:Mkr (MHz)	dB	2:Mkr (MHz)	dB
1> 483.0000	-16.246	1> 483.0000	-0.390
2: 449.0000	-3.990	2: 449.0000	-3.406
3: 516.3000	-4.742	3: 516.3000	-3.330
4: 333.0000	0.009	4: 333.0000	-58.197
5: 633.0000	0.027	5: 633.0000	-35.123