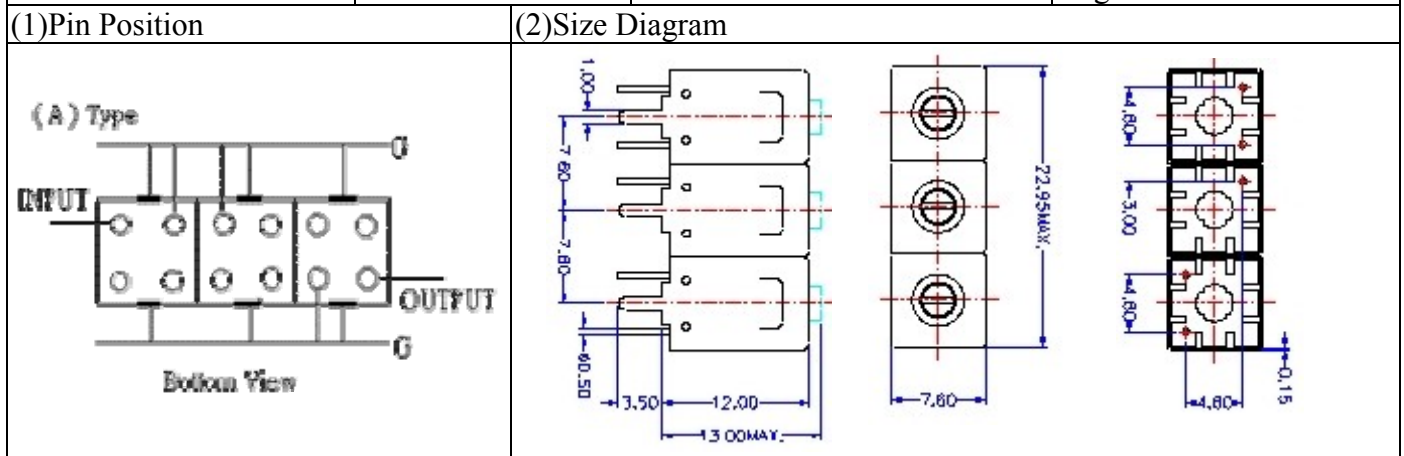


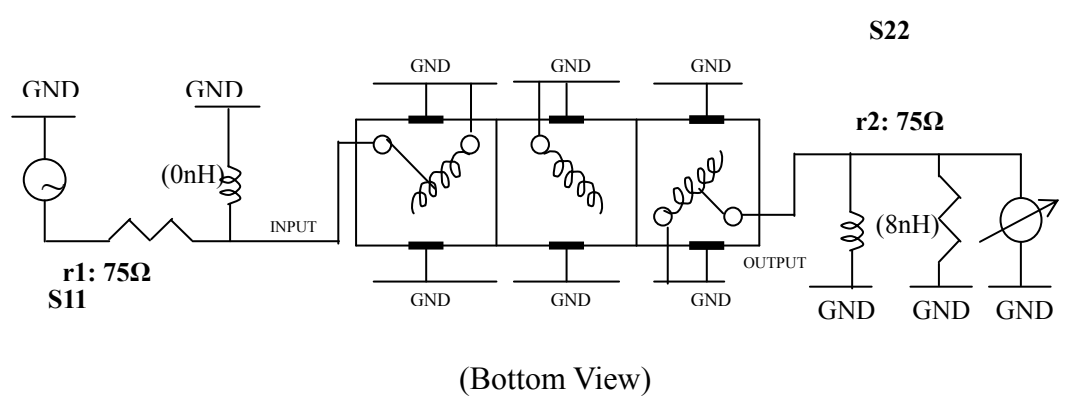
VHF UHF Helical Filter Specification Sheet

Customer Name		Temwell's Part No.	TTL67486A-842M
Approval No. /dated	20508010APR	Acceptable Specify Fo. Range	831~860MHz
Work Instruction No.	20508010DC	Date	Aug.04.2005



(3)Electric Chararistic			
Item		Specify	Performance
Center Freq.(Fo) +/- 0.5 %		842 MHz	842 MHz
Tunable Range:		842±10 MHz	842±10 MHz
Insertion Loss		Typ. 2.5 dB	1.76 dB
-3 dB Bandwidth		Typ. 29 MHz	33.7 MHz
Sensitivity (Attenuation)	Fo - 50 MHz	Typ. 29 dBc	32 dBc
	Fo + 50 MHz	Typ. 17 dBc	20 dBc
	Fo - ()MHz	Typ. dBc	dBc
	Fo + ()MHz	Typ. dBc	dBc
Return Loss		Min. 12 dB	32.0 dB
Ripple		< 1 dB	dB
Impedance		In / Out : 75 Ω	In / Out : 75 Ω
(4)Torque for Tuning Screw		> 100gf · cm	
(5)Temperature Condition:			
Operating Temperature		0°C ~ +60°C	
Storage Temperature		-20°C ~ +70°C	
(6)Input Power		> 1Watt	

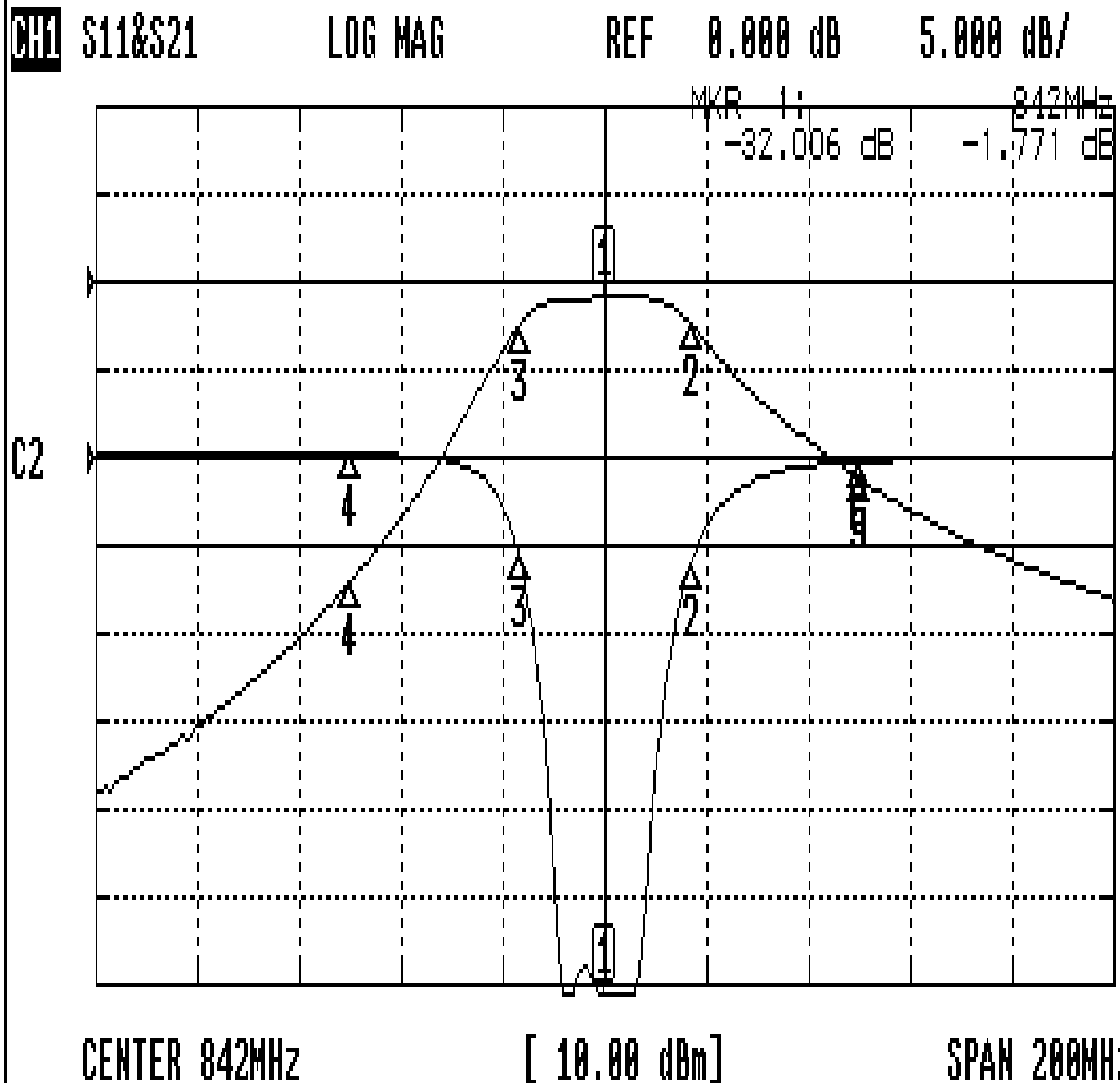
(7)Measuring Circuit: ※Easy to match Impedance S11/S22 75Ωby parallel with about(0 nH) / (8 nH).



Approval	Supervisor	Designer	Aperture size
C.Y. Chang	C.S. Chang	C.S. Chang	7H3S(4*7.5) 7H046LB4

Performance-TTL67486A-842M

20508010DC



CH1 MARKER LIST

1:	842.000MHz	-32.070 dB	-1.768 dB
2:	859.000MHz	-5.940 dB	-4.886 dB
3:	825.333MHz	-5.742 dB	-4.882 dB
4:	792.000MHz	0.187 dB	-34.108 dB
5:	892.000MHz	-0.224 dB	-22.292 dB