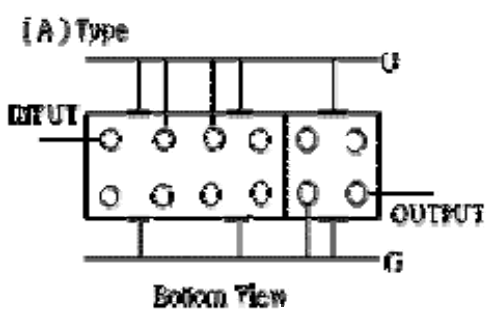
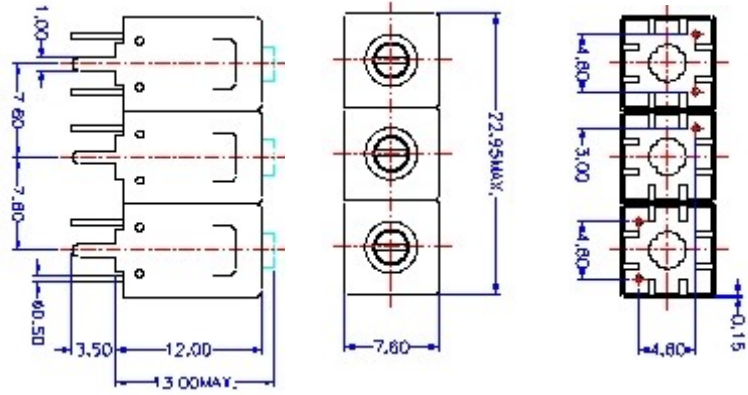


VHF UHF Helical Filter Specification Sheet

Customer Name		Temwell's Part No.	TTL67467A-770M
Approval No. /dated	20212033DC	Acceptable Specify Fo. Range	751~800MHz
Work Instruction No.	20212033DC	Date	Jan.02.2002

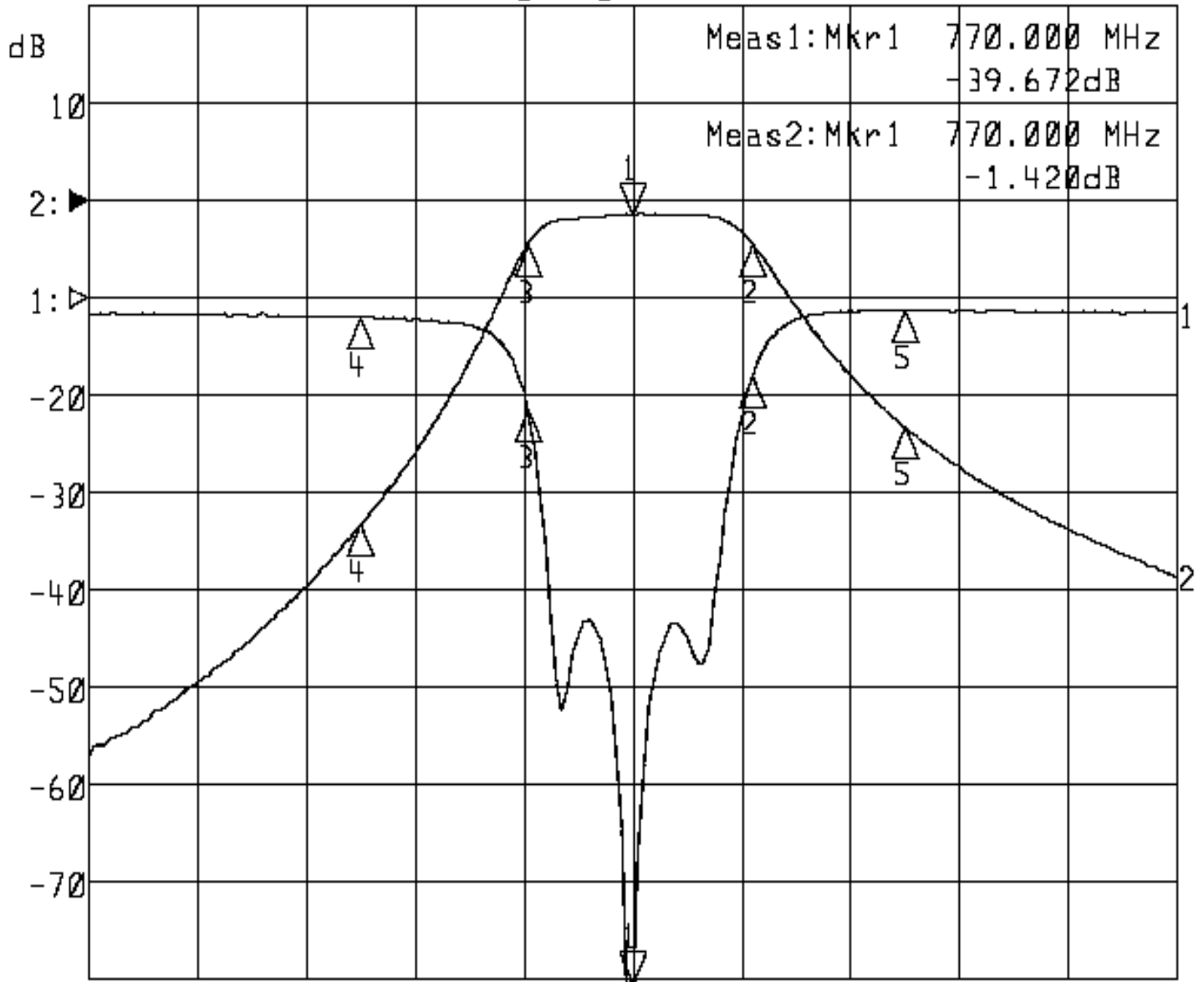
(1) Pin Position	(2) Size Diagram
 <p>(A) Type Bottom View</p>	

(3) Electric Character			
Item		Specify	Performance
Center Freq.(Fo) +/- 0.5 %		770 MHz	770 MHz
Tunable Range		770±3 MHz	770±3 MHz
Insertion Loss		Typ. 2.0 dB	1.4 dB
-3 dB Bandwidth		Typ. 34 MHz	42 MHz
Sensitivity (Attenuation)	Fo - 50 MHz	Typ. 30 dBc	32 dBc
	Fo + 50 MHz	Typ. 20 dBc	22 dBc
	Fo - ()MHz	Typ. dBc	dBc
	Fo + ()MHz	Typ. dBc	dBc
Return Loss		Min. 12 dB	39 dB
Ripple		< 1 dB	dB
Impedance		In / Out : 75 Ω	In / Out : 75 Ω
(4) Torque for Tuning Screw		> 60gf · cm	
(5) Temperature Condition:			
Operating Temperature		0°C ~ +60°C	
Storage Temperature		-20°C ~ +70°C	
(6) Input Power		> 1Watt	
Approval	Supervisor	Designer	Aperture size
C.Y. Chang	C.S. Chang	C.S. Chang	7H3S(4*7.5)F 7H046LB4 聚 3
TEMWELL CORPORATION			

Performance-TTL67467A-770M

20212033D

▶1: S11 Refl Port1 Log Mag 5.0 dB/ Ref 0.00 dB C
 ▶2: S21 Fwd Trans Log Mag 10.0 dB/ Ref 0.00 dB C



Meas1: Mkr1 770.000 MHz
 -39.672 dB
 Meas2: Mkr1 770.000 MHz
 -1.420 dB

Center 770.000 MHz

Span 200.000 MHz

1: Mkr (MHz)	dB	2: Mkr (MHz)	dB
1> 770.0000	-39.672	1> 770.0000	-1.420
2: 792.0667	-3.942	2: 792.0667	-4.437
3: 750.7667	-5.773	3: 750.7667	-4.466
4: 720.0000	-1.000	4: 720.0000	-33.371
5: 820.0000	-0.681	5: 820.0000	-23.322