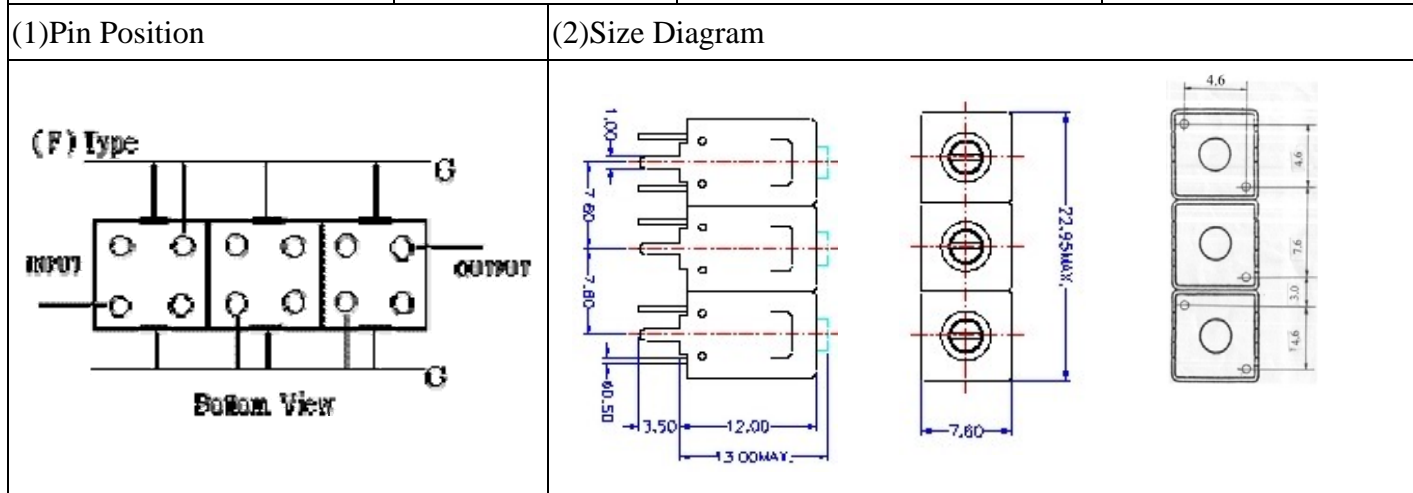


VHF UHF Helical Filter Specification Sheet

| | | | |
|----------------------|------------|------------------------------|------------------|
| Customer Name | | Temwell's Part No. | TTL67450F-881.5M |
| Approval No. /dated | 20303031DB | Acceptable Specify Fo. Range | 861~900MHz |
| Work Instruction No. | 20303031DB | Date | Mar.18.2003 |



(3) Electric Character

| Item | Specify | Performance | |
|------------------------------|-----------------|-----------------|--------|
| Center Freq.(Fo) +/- 0.5 % | 881.5 MHz | 881.5 MHz | |
| Tunable Range | 881.5±10 MHz | 881.5±10 MHz | |
| Insertion Loss | Typ. 3.0 dB | 1.95 dB | |
| -1 dB Bandwidth | Typ. 23 MHz | 27.3 MHz | |
| -3 dB Bandwidth | Typ. 28 MHz | 32 MHz | |
| Sensitivity (Attenuation) | Fo - 100 MHz | Typ. 57 dBc | 60 dBc |
| | Fo + 100 MHz | Typ. 38 dBc | 41 dBc |
| | Fo - ()MHz | Typ. dBc | dBc |
| | Fo +()MHz | Typ. dBc | dBc |
| Return Loss | Min. 12 dB | 17.9 dB | |
| Ripple | < 1 dB | dB | |
| Impedance | In / Out : 75 Ω | In / Out : 75 Ω | |
| (4) Torque for Tuning Screw | > 100gf · cm | | |

(5) Temperature Condition:

| | |
|-----------------------|---------------|
| Operating Temperature | 0°C ~ +60°C |
| Storage Temperature | -20°C ~ +70°C |

(6) Input Power

| | |
|--|---------|
| | > 1Watt |
|--|---------|

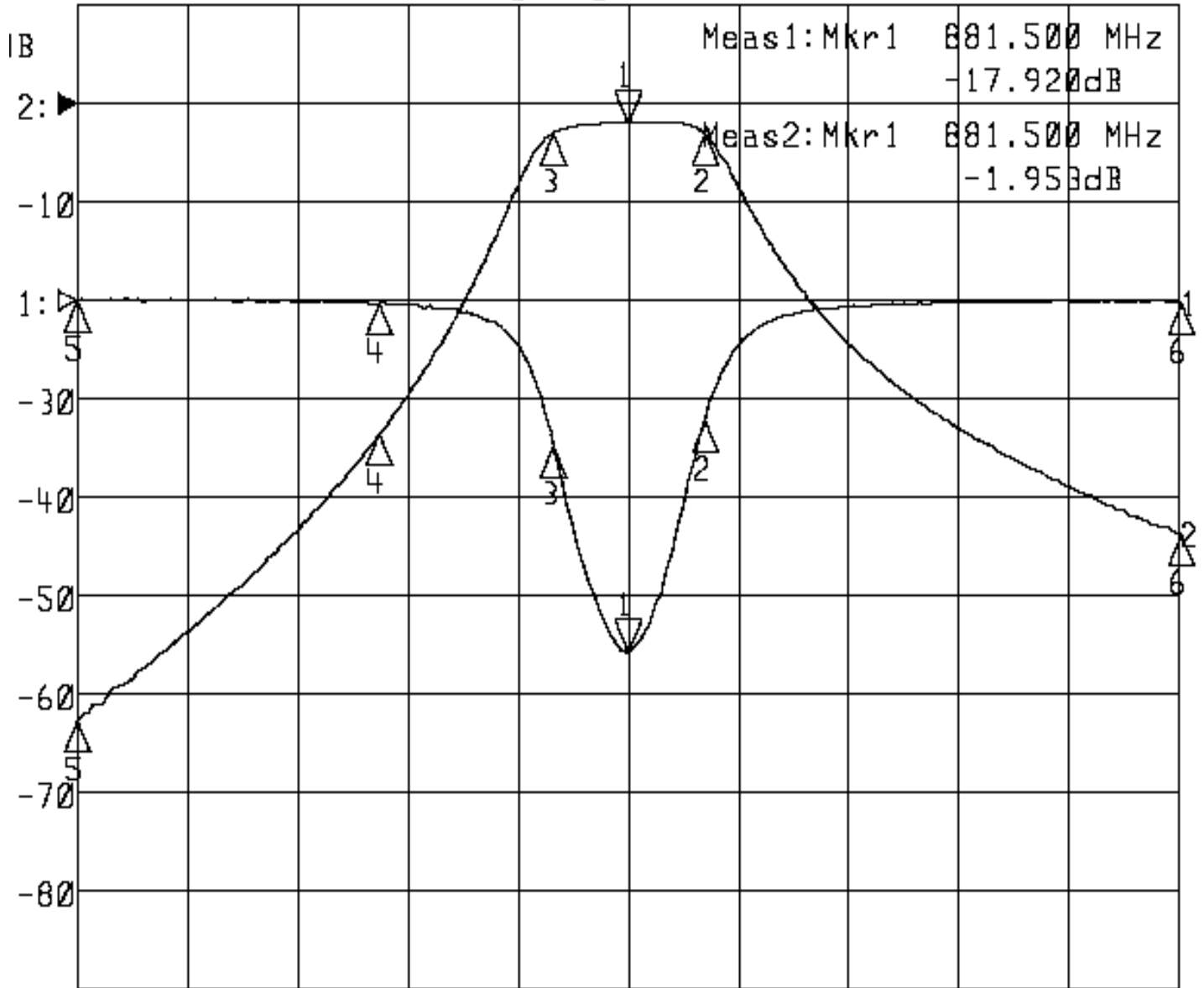
| | | | |
|-----------|------------|----------|------------------------------|
| Approval | Supervisor | Designer | Aperture size |
| C.Y.Chang | C.S.Chang | Enlan | 7H3S(4*6.5)F 7H046LB4 聚 3 |

TEMWELL CORPORATION

Performance-TTL67450F-881.5M

20303031DB

▶1:S11 Refl Port1 Log Mag 5.0 dB/ Ref 0.00 dB C
 ▶2:S21 Fwd Trans Log Mag 10.0 dB/ Ref 0.00 dB C



Center 881.500 MHz

Span 200.000 MHz

| 1:Mkr (MHz) | dB | 2:Mkr (MHz) | dB |
|-------------|---------|-------------|---------|
| 1> 881.5000 | -17.920 | 1> 881.5000 | -1.953 |
| 2: 895.3000 | -6.150 | 2: 895.3000 | -2.986 |
| 3: 868.0333 | -7.325 | 3: 868.0333 | -2.930 |
| 4: 836.5000 | -0.127 | 4: 836.5000 | -33.515 |
| 5: 781.5000 | -0.048 | 5: 781.5000 | -62.717 |
| 6: 981.5000 | -0.064 | 6: 981.5000 | -43.685 |