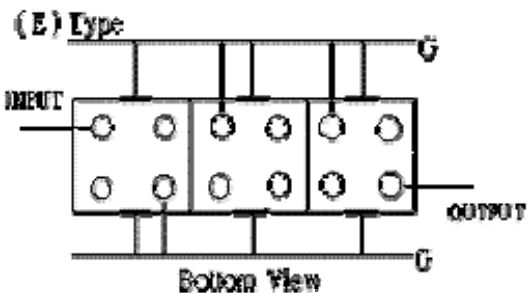
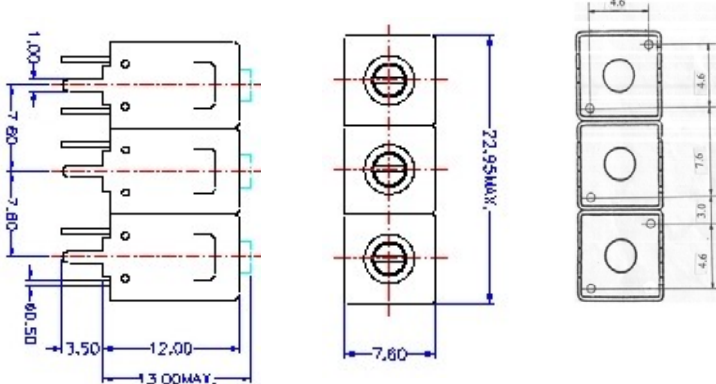


VHF UHF Helical Filter Specification Sheet

Customer Name		Temwell's Part No.	TTL67450E-836.5M
Approval No. /dated	20303030DB	Acceptable Specify Fo. Range	831~860MHz
Work Instruction No.	20303030DB	Date	Mar.18.2003

<p>(1) Pin Position</p>  <p style="text-align: center;">Bottom View</p>	<p>(2) Size Diagram</p> 
--	--

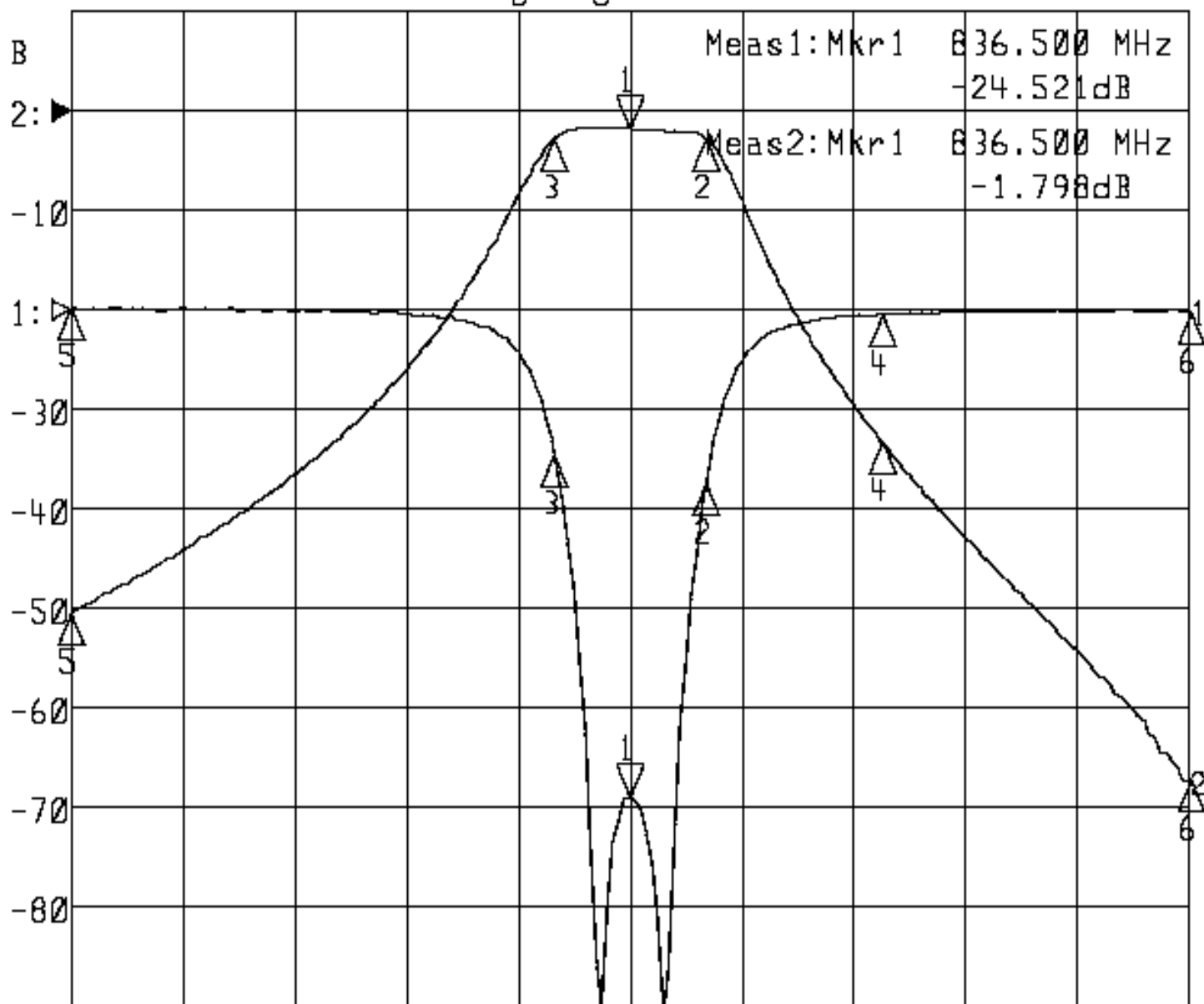
(3) Electric Character			
Item		Specify	Performance
Center Freq.(Fo) +/- 0.5 %		836.5 MHz	836.5 MHz
Tunable Range		836.5±10 MHz	836.5±10 MHz
Insertion Loss		Typ. 3.0 dB	1.79 dB
-1 dB Bandwidth		Typ. 22 MHz	27.0 MHz
-3 dB Bandwidth		Typ. 27 MHz	32 MHz
Sensitivity (Attenuation)	Fo - 100 MHz	Typ. 45 dBc	48 dBc
	Fo + 100 MHz	Typ. 62 dBc	65 dBc
	Fo - ()MHz	Typ. dBc	dBc
	Fo +()MHz	Typ. dBc	dBc
Return Loss		Min. 12 dB	24.5 dB
Ripple		< 1 dB	dB
Impedance		In / Out : 75 Ω	In / Out : 75 Ω
(4) Torque for Tuning Screw		> 100gf · cm	
(5) Temperature Condition:			
Operating Temperature		0°C ~ +60°C	
Storage Temperature		-20°C ~ +70°C	
(6) Input Power		> 1Watt	
Approval	Supervisor	Designer	Aperture size
C.Y.Chang	C.S.Chang	Enlan	7H3S(4*5.5)F 7H046LB4
TEMWELL CORPORATION			

Performance-TTL67450E-836.5M

20303030DB

▶1:S11 Refl Port1 Log Mag 5.0 dB/ Ref 0.00 dB C

▶2:S21 Fwd Trans Log Mag 10.0 dB/ Ref 0.00 dB C



Center 836.500 MHz

Span 200.000 MHz

1: Mkr (MHz)	dB	2: Mkr (MHz)	dB
1> 836.5000	-24.521	1> 836.5000	-1.798
2: 850.1000	-8.790	2: 850.1000	-2.767
3: 823.1000	-7.288	3: 823.1000	-2.718
4: 881.5000	-0.217	4: 881.5000	-33.204
5: 736.5000	0.138	5: 736.5000	-50.487
6: 936.5000	-0.068	6: 936.5000	-67.345