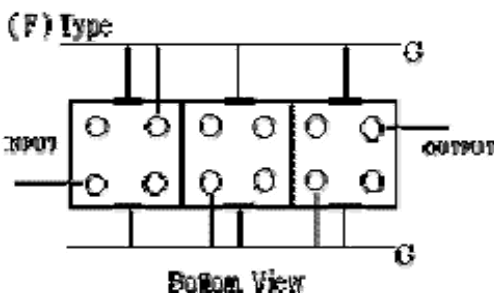
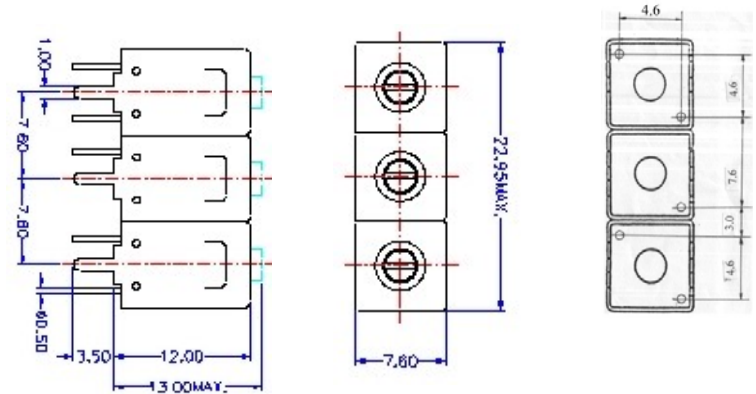


VHF UHF Helical Filter Specification Sheet

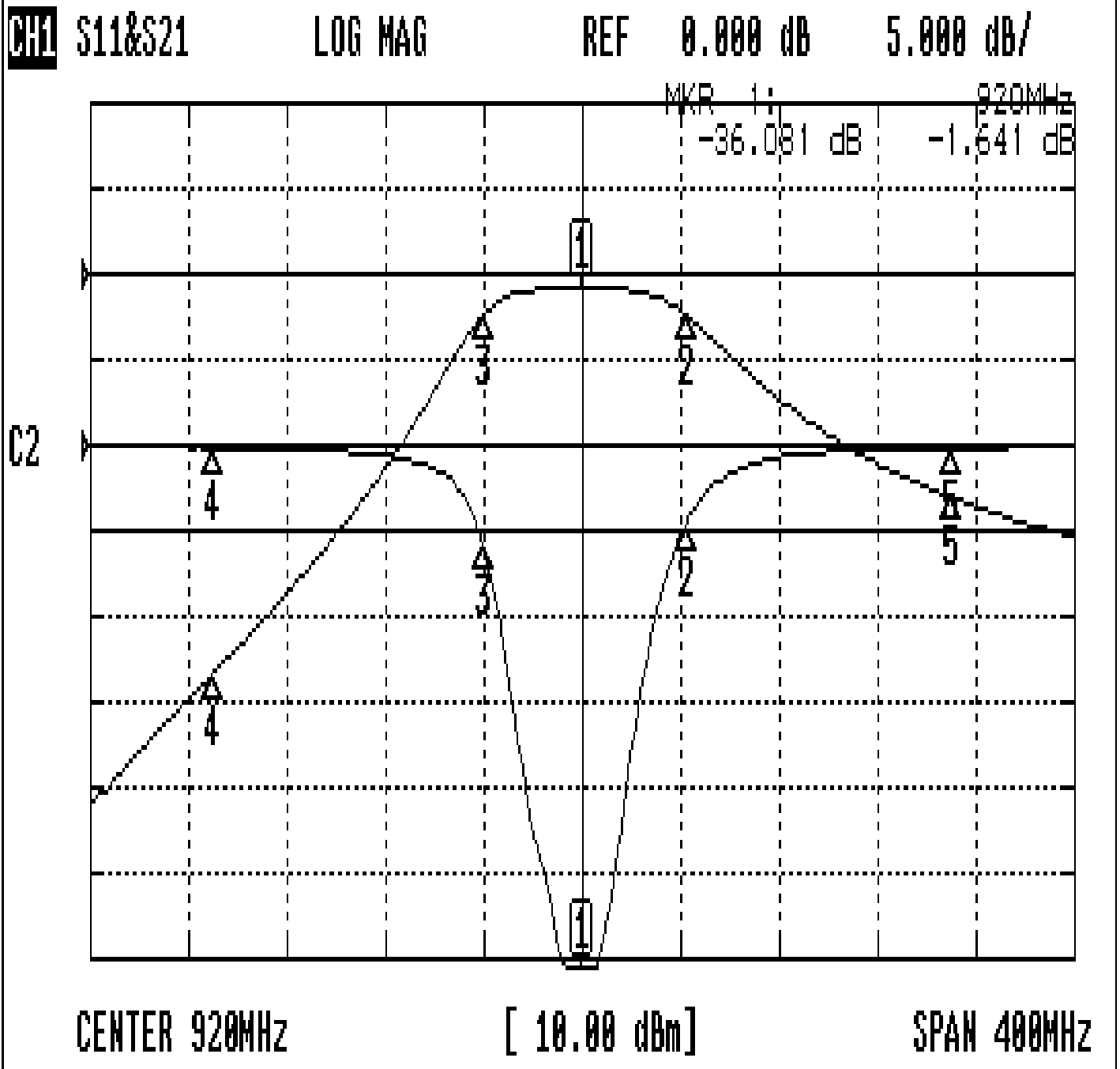
Customer Name		Temwell's Part No.	TTL67344F-920M
Approval No. /dated	20404084DC	Acceptable Specify Fo. Range	901~930MHz
Work Instruction No.	20404084DC	Date	May.03.2004

<p>(1) Pin Position</p>  <p>(F) Type</p> <p>Bottom View</p>	<p>(2) Size Diagram</p> 
--	--

(3) Electric Character			
Item		Specify	Performance
Center Freq.(Fo) +/- 0.5 %		920 MHz	920 MHz
Tunable Range		920±5 MHz	920±5 MHz
Insertion Loss		Typ. 2.5 dB	1.64 dB
-3 dB Bandwidth		Typ. 77 MHz	82 MHz
Sensitivity (Attenuation)	Fo - 150 MHz	Typ. 42 dBc	45 dBc
	Fo + 150 MHz	Typ. 21 dBc	24 dBc
	Fo - ()MHz	Typ. dBc	dBc
	Fo +()MHz	Typ. dBc	dBc
Return Loss		Min. 12 dB	36.0 dB
Ripple		< 1 dB	dB
Impedance		In / Out : 75 Ω	In / Out : 75 Ω
(4) Torque for Tuning Screw		> 100gf · cm	
(5) Temperature Condition:			
Operating Temperature		0°C ~ +60°C	
Storage Temperature		-20°C ~ +70°C	
(6) Input Power		> 1Watt	
Approval	Supervisor	Designer	Aperture size
C.Y.Chang	C.S.Chang	Enlan	7H3S(4*7.5)(7.54)F 7H046LB5.5
TEMWELL CORPORATION			

Performance-TTL67344F-920M

20404084DC



CH1 MARKER LIST

1:	920.000MHz	-36.081 dB	-1.641 dB
2:	962.000MHz	-4.620 dB	-4.681 dB
3:	880.000MHz	-5.897 dB	-4.598 dB
4:	770.000MHz	-0.151 dB	-46.679 dB
5:	1.070 000GHz	-0.161 dB	-26.052 dB