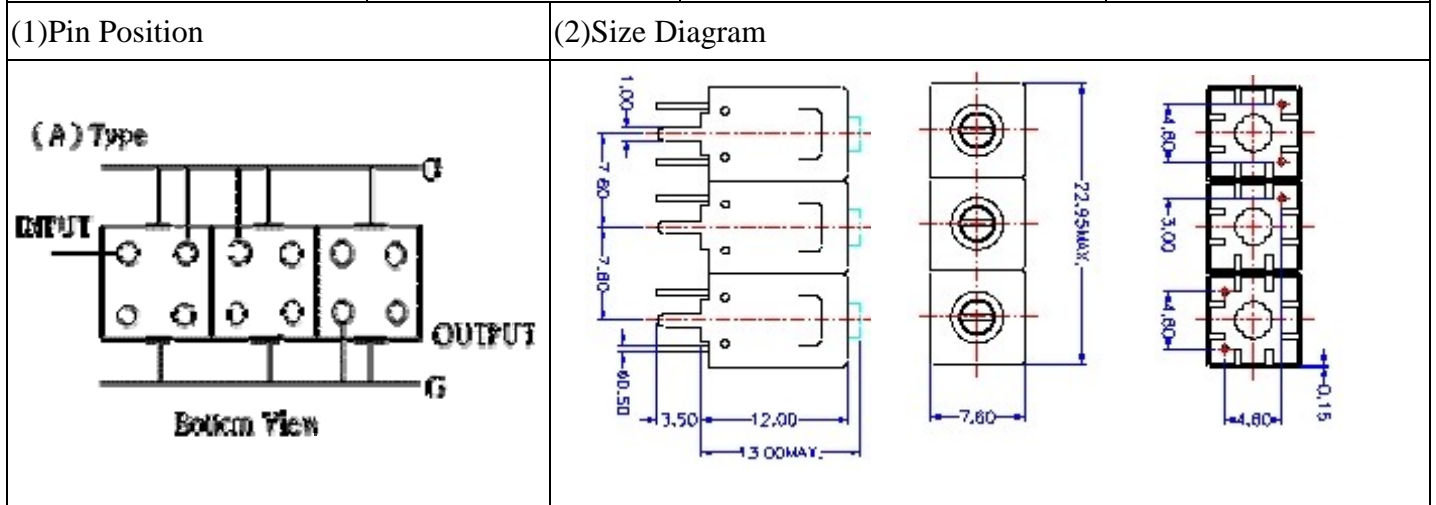


VHF UHF Helical Filter Specification Sheet

Customer Name		Temwell's Part No.	TTL67243A-770M
Approval No. /dated	20212035DC	Acceptable Specify Fo. Range	751~800MHz
Work Instruction No.	20212035DC	Date	Mar.01.2003

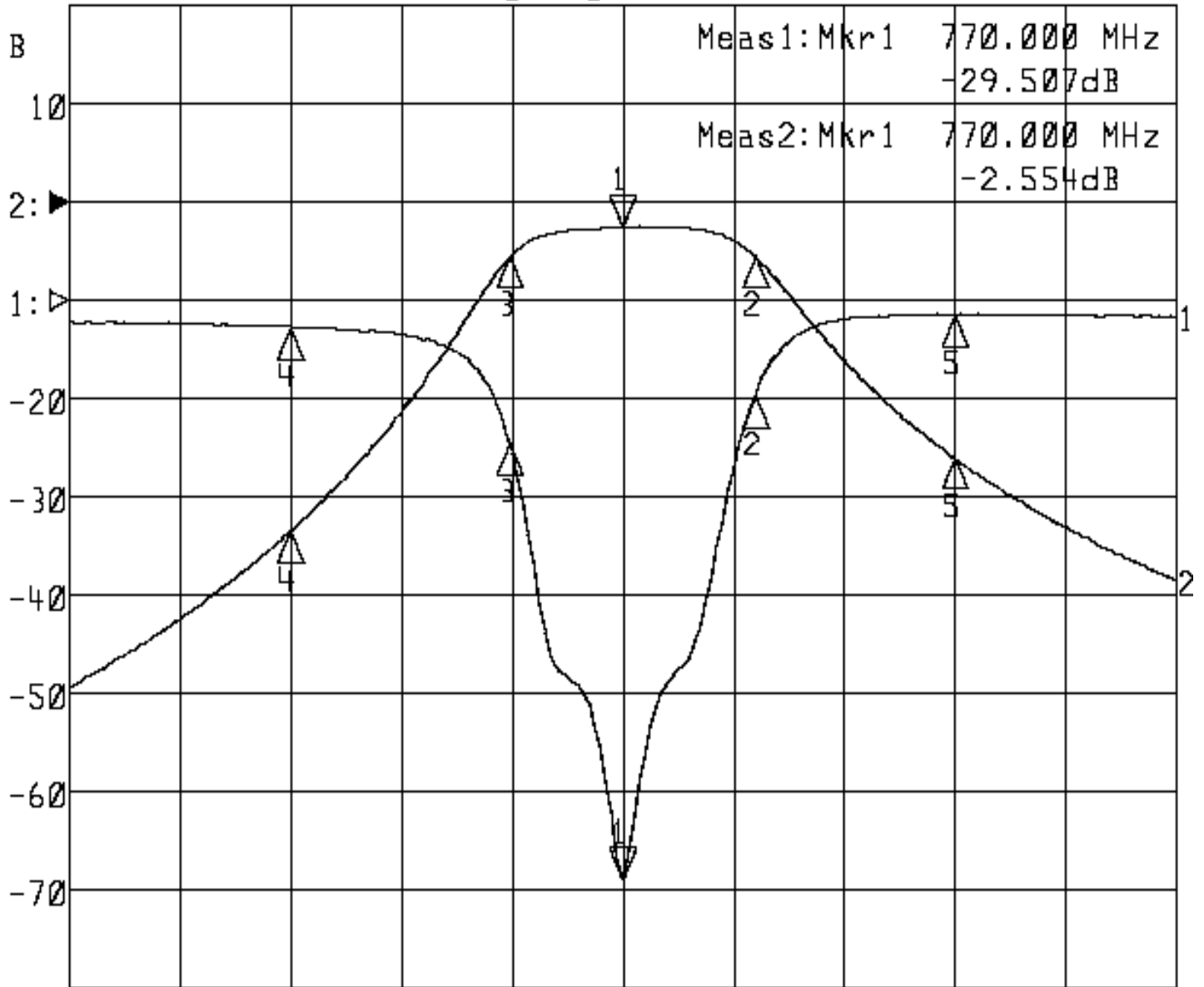


(3) Electric Character			
Item	Specify	Performance	
Center Freq.(Fo) +/- 0.5 %	770 MHz	770 MHz	
Tunable Range	770±5 MHz	770±5 MHz	
Insertion Loss	Typ. 3.5 dB	2.5 dB	
-3 dB Bandwidth	Typ. 14 MHz	22 MHz	
Sensitivity (Attenuation)	Fo - 30 MHz	Typ. 29 dBc	31 dBc
	Fo + 30 MHz	Typ. 22 dBc	24 dBc
	Fo - ()MHz	Typ. dBc	dBc
	Fo + ()MHz	Typ. dBc	dBc
Return Loss	Min. 12 dB	29 dB	
Ripple	< 1 dB	dB	
Impedance	In / Out : 75 Ω	In / Out : 75 Ω	
(4) Torque for Tuning Screw		> 60gf · cm	
(5) Temperature Condition:			
Operating Temperature		0°C ~ +60°C	
Storage Temperature		-20°C ~ +70°C	
(6) Input Power		> 1Watt	
Approval	Supervisor	Designer	Aperture size
C.Y. Chang	C.S. Chang	P.H. Chiang	7H3S(4*4.5)F 7H046LB4 聚 3
TEMWELL CORPORATION			

Performance-TTL67243A-770M

20212035DC

▶1:S11 Refl Port1 Log Mag 5.0 dB/ Ref 0.00 dB C
▶2:S21 Fwd Trans Log Mag 10.0 dB/ Ref 0.00 dB C



Center 770.000 MHz

Span 100.000 MHz

1:Mkr (MHz) dB		2:Mkr (MHz) dB	
1>	770.0000 -29.507	1>	770.0000 -2.554
2:	781.9000 -4.888	2:	781.9000 -5.508
3:	759.8333 -7.297	3:	759.8333 -5.566
4:	740.0000 -1.313	4:	740.0000 -33.448
5:	800.0000 -0.730	5:	800.0000 -26.102