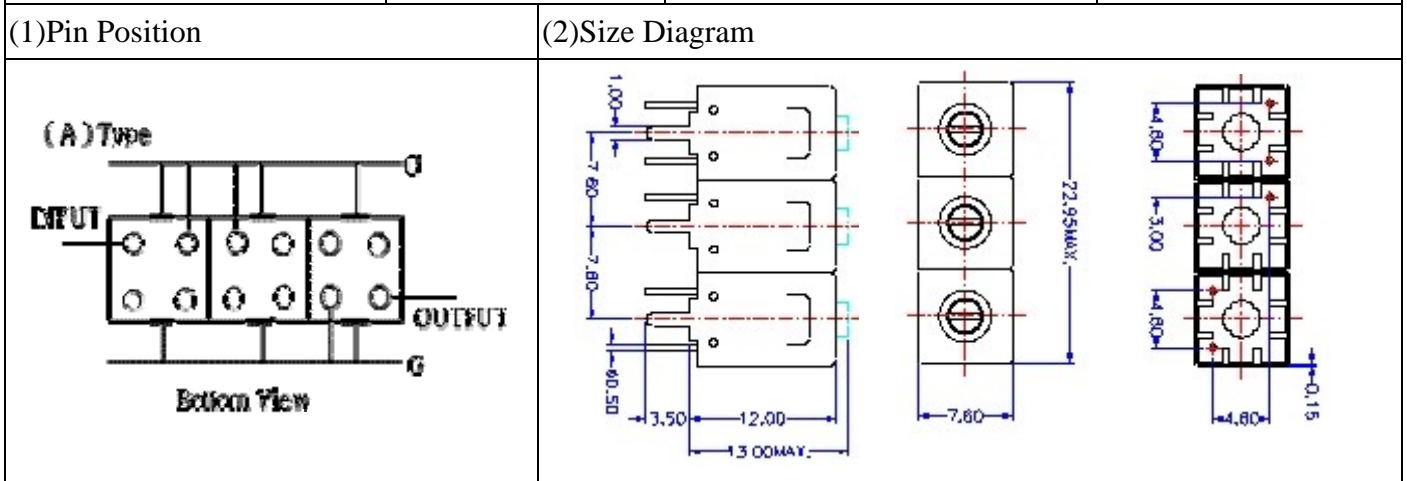


VHF UHF Helical Filter Specification Sheet

Customer Name		Temwell's Part No.	TTL67130A-770M
Approval No. /dated	20212036DC	Acceptable Specify Fo. Range	751~800MHz
Work Instruction No.	20212036DC	Date	Feb.01.2002



(3) Electric Character

Item	Specify	Performance
Center Freq.(Fo) +/- 0.5 %	770 MHz	770 MHz
Tunable Range	770±5 MHz	770±5 MHz
Insertion Loss	Typ. 4.0 dB	3.2 dB
-3 dB Bandwidth	Typ. 12 MHz	20 MHz
Sensitivity (Attenuation)	Fo - 30 MHz	Typ. 34 dBc
	Fo + 30 MHz	Typ. 27 dBc
	Fo - ()MHz	Typ. dBc
	Fo +()MHz	Typ. dBc
Return Loss	Min. 12 dB	22 dB
Ripple	< 1 dB	dB
Impedance	In / Out : 75 Ω	In / Out : 75 Ω

(4) Torque for Tuning Screw > 60gf · cm

(5) Temperature Condition:

Operating Temperature	0°C ~ +60°C
Storage Temperature	-20°C ~ +70°C

(6) Input Power > 1Watt

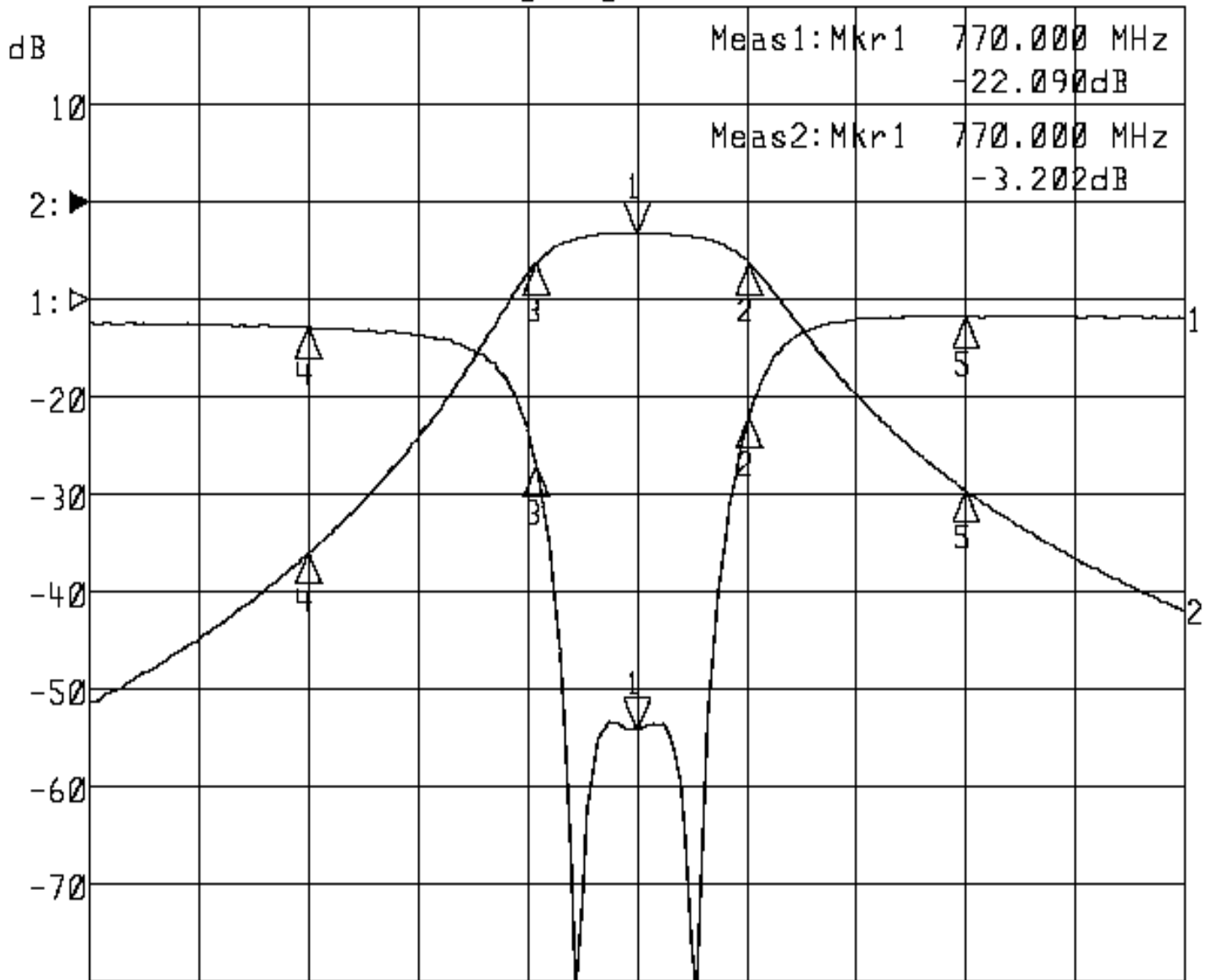
Approval	Supervisor	Designer	Aperture size
C.Y. Chang	C.S. Chang	P.H. Chiang	7H3S(4*4.65)F 7H046LB4 聚 3

TEMWELL CORPORATION

Performance-TTL67130A-770M

20212036DC

►1:S11 Refl Port1 Log Mag 5.0 dB/ Ref 0.00 dB C
►2:S21 Fwd Trans Log Mag 10.0 dB/ Ref 0.00 dB C



Center 770.000 MHz

Span 100.000 MHz

1:Mkr (MHz)	dB	2:Mkr (MHz)	dB
1> 770.0000	-22.090	1> 770.0000	-3.202
2: 780.2333	-6.007	2: 780.2333	-6.243
3: 760.8333	-8.487	3: 760.8333	-6.270
4: 740.0000	-1.415	4: 740.0000	-36.052
5: 800.0000	-0.855	5: 800.0000	-29.608