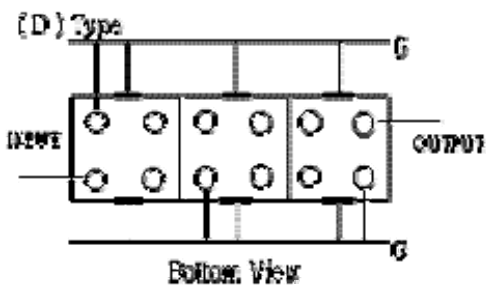
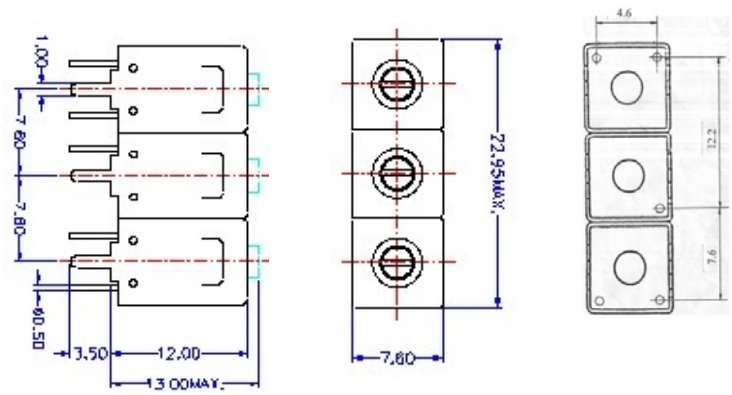


# VHF UHF Helical Filter Specification Sheet

Customer Name		Temwell's Part No.	TTL6707D-611M
Approval No. /dated	20404003DB	Acceptable Specify Fo. Range	596~640MHz
Work Instruction No.	20404003DB	Date	Apr.05.2004

(1)Pin Position	(2)Size Diagram
 <p>Bottom View</p>	

### (3)Electric Character

Item	Specify	Performance	
Center Freq.(Fo ) +/- 0.5 %	611 MHz	611 MHz	
Tunable Range	611±5 MHz	611±5 MHz	
Insertion Loss	Typ. 4.0 dB	3.16 dB	
-3 dB Bandwidth	Typ. 10 MHz	13 MHz	
Sensitivity (Attenuation)	Fo - 48 MHz	Typ. 52 dBc	55 dBc
	Fo + 48 MHz	Typ. 35 dBc	38 dBc
	Fo - ( )MHz	Typ. dBc	dBc
	Fo + ( )MHz	Typ. dBc	dBc
Return Loss	Min. 17 dB	36.9 dB	
Ripple	< 1 dB	dB	
Impedance	In / Out : 75 Ω	In / Out : 75 Ω	
(4)Torque for Tuning Screw	> 100gf · cm		

### (5)Temperature Condition:

Operating Temperature	0°C ~ +60°C
Storage Temperature	-20°C ~ +70°C
(6)Input Power	> 1Watt

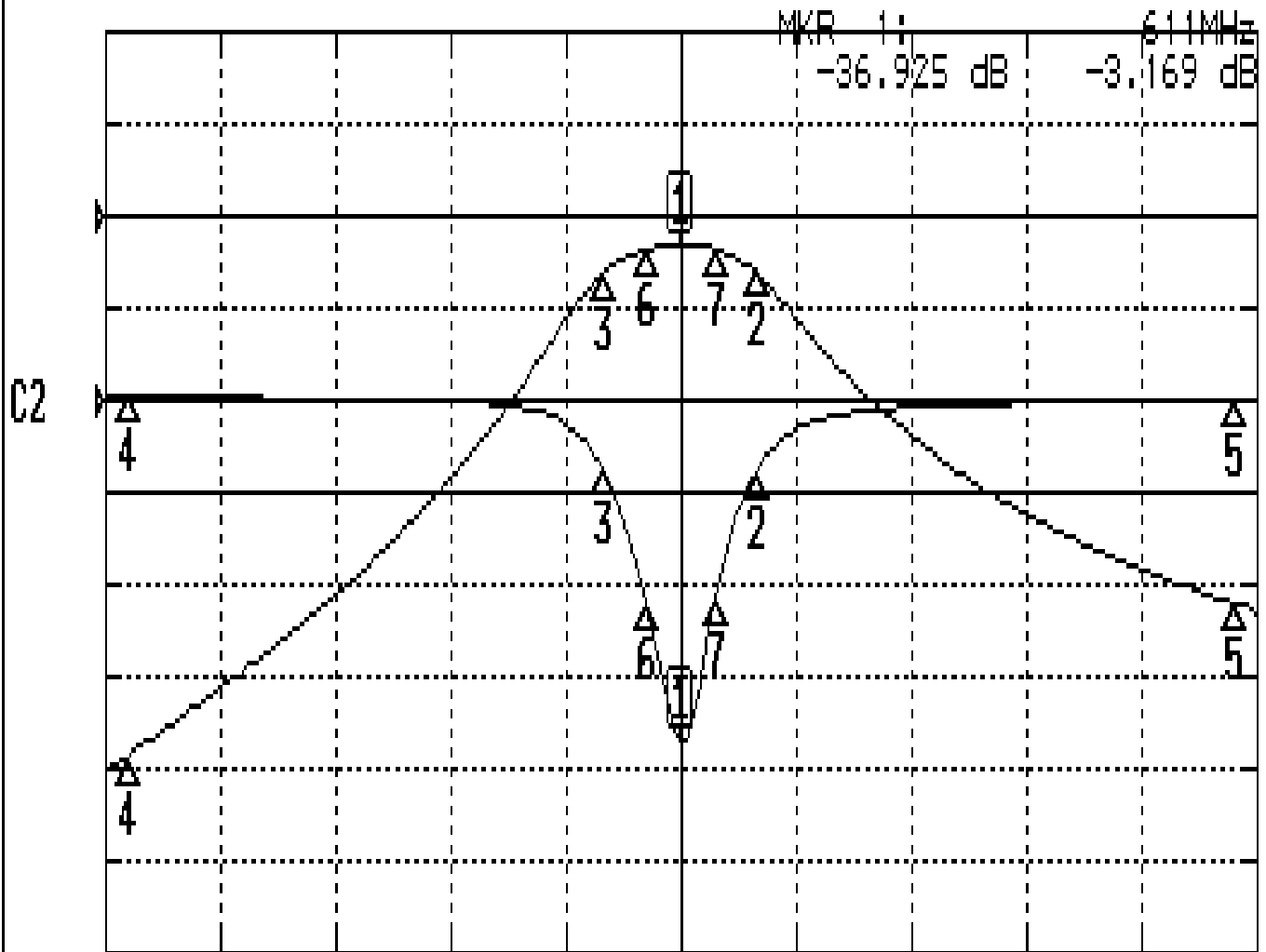
Approval	Supervisor	Designer	Aperture size
C.Y. Chang	C.S. Chang	C.S. Chang	7H3(4*4.65)(4*4.69) 7H046LB4 聚 3

TEMWELL CORPORATION

# Performance-TTL6707D-611M

## 20404003DB

CH1 S11&S21 LOG MAG REF 0.000 dB 10.000 dB/



CENTER 611MHz

[ 10.00 dBm ]

SPAN 100MHz

### CH1 MARKER LIST

1:	611.000MHz	-36.925 dB	-3.169 dB
2:	617.583MHz	-7.629 dB	-6.139 dB
3:	604.250MHz	-7.423 dB	-6.160 dB
4:	563.000MHz	0.274 dB	-58.487 dB
5:	659.000MHz	0.032 dB	-41.989 dB
6:	608.000MHz	-21.953 dB	-3.600 dB
7:	614.000MHz	-21.533 dB	-3.541 dB