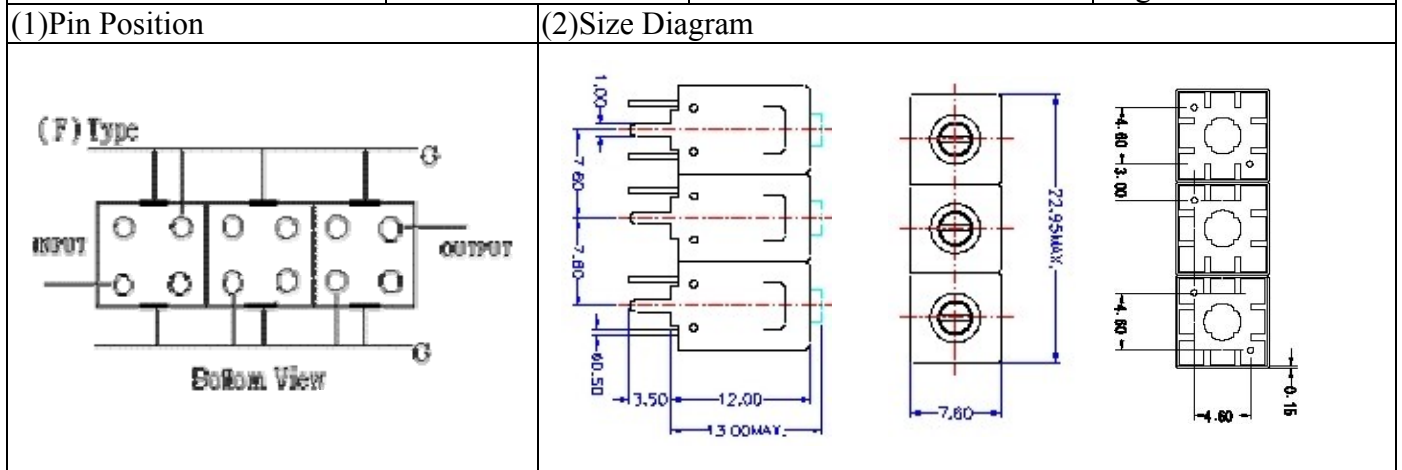


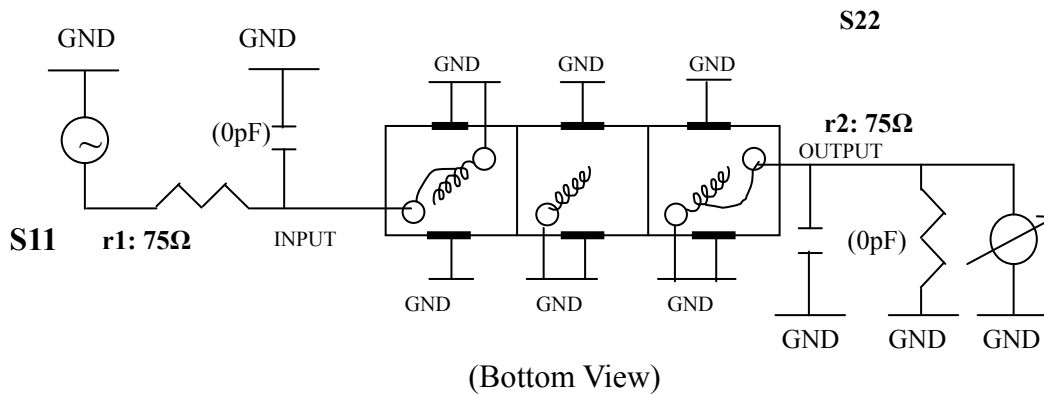
VHF UHF Helical Filter Specification Sheet

| | | | |
|----------------------|--------------|----------------------|---------------|
| Customer Name | | Temwell's Part No. | TTL6393F-530M |
| Approval No. /dated | 200808015APR | Temwell's print name | 6393F 530M |
| Work Instruction No. | 200808015BD | Date | Aug.25.2008 |



| | | | | | |
|------------------------------|--------------|-----------------|--|-----------------|--|
| (3) Electric Characteristic | | | | | |
| Item | | Specify | | Performance | |
| Center Freq.(Fo) +/- 0.5 % | | 530 MHz | | 530 MHz | |
| Insertion Loss | | Typ. 1.5 dB | | 0.66 dB | |
| -3 dB Bandwidth | | Typ. 120 MHz | | 126.1 MHz | |
| Sensitivity (Attenuation) | Fo - 200 MHz | Typ. 43 dBc | | 51 dBc | |
| | Fo + 200 MHz | Typ. 25 dBc | | 32 dBc | |
| | Fo - ()MHz | Typ. dBc | | dBc | |
| | Fo +()MHz | Typ. dBc | | dBc | |
| Return Loss | | Min. 12 dB | | 28.7 dB | |
| Ripple | | < 1 dB | | dB | |
| Impedance | | In / Out : 75 Ω | | In / Out : 75 Ω | |
| (4) Torque for Tuning Screw | | > 100gf · cm | | | |
| (5) Temperature Condition: | | | | | |
| Operating Temperature | | 0°C ~ +60°C | | | |
| Storage Temperature | | -20°C ~ +70°C | | | |
| (6) Input Power | | > 1 Watt | | | |

(7) Measuring Circuit: ※Easy to match Impedance S11/S22 75Ω by parallel with about(0pF) / (0pF).



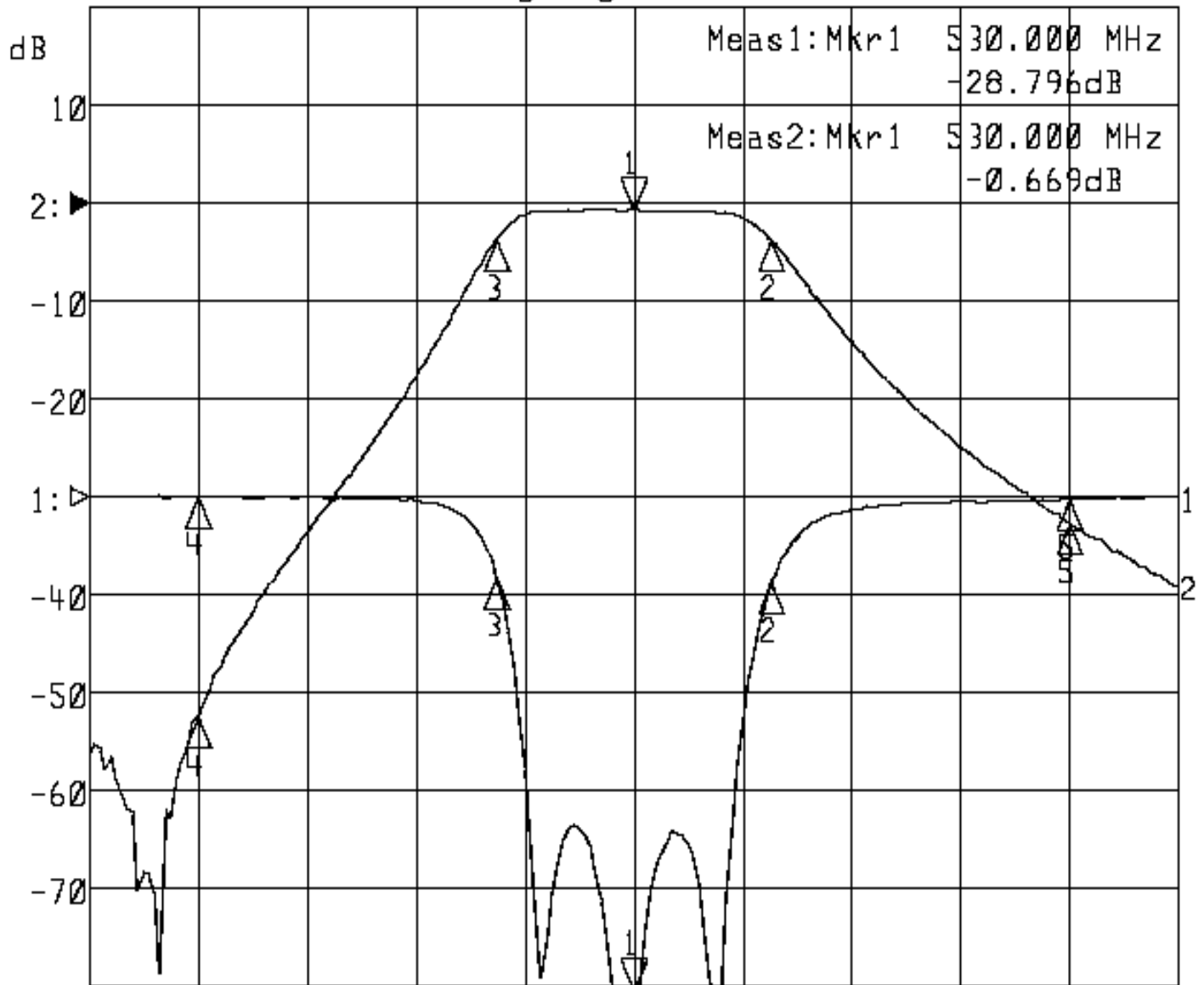
| | | | |
|-----------|------------|----------|--------------------------|
| Approval | Supervisor | Designer | Aperture size |
| C.Y.Chang | C.S.Chang | Y.H.Yeh | 7H3S4*8.0F 7H046RB6.5 |

TEMWELL CORPORATION

Performance-TTL6393F-530M

200808015BD

▶1:S11 Refl Port1 Log Mag 5.0 dB/ Ref 0.00 dB C
▶2:S21 Fwd Trans Log Mag 10.0 dB/ Ref 0.00 dB C



Center 530.000 MHz

Span 500.000 MHz

| 1: Mkr (MHz) | dB | 2: Mkr (MHz) | dB |
|--------------|---------|--------------|---------|
| 1> 530.0000 | -28.796 | 1> 530.0000 | -0.669 |
| 2: 593.1667 | -4.379 | 2: 593.1667 | -3.756 |
| 3: 467.0000 | -4.102 | 3: 467.0000 | -3.713 |
| 4: 330.0000 | -0.023 | 4: 330.0000 | -52.389 |
| 5: 730.0000 | -0.162 | 5: 730.0000 | -32.651 |