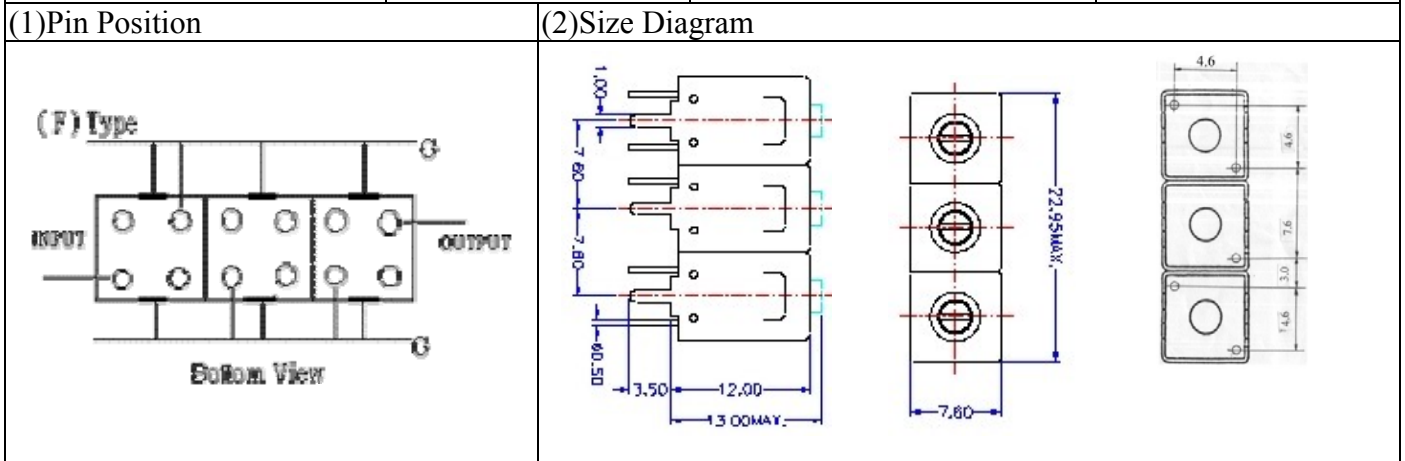


VHF UHF Helical Filter Specification Sheet

Customer Name		Temwell's Part No.	TTL6386F-879.25M
Approval No. /dated	0611114APR	Acceptable Specify Fo Range	861~900 MHz
Work Instruction No.	0611114DC	Date	Dec.11.2006



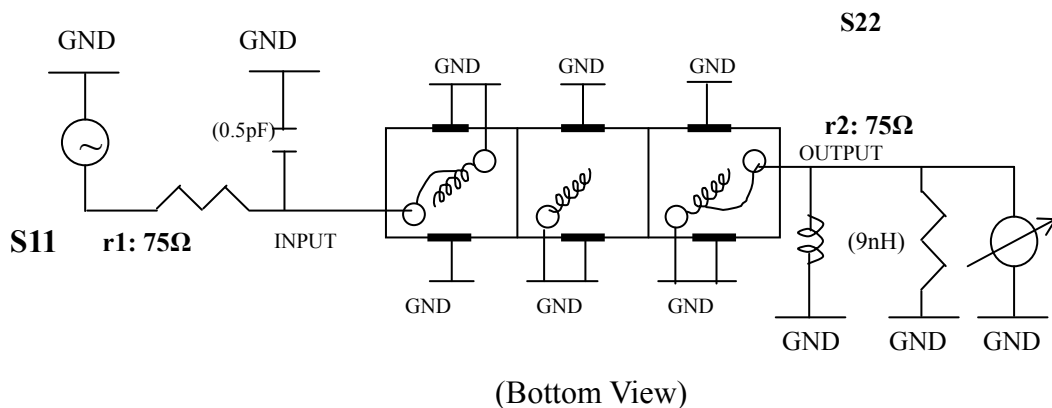
(3)Electric Character		Item	Specify	Performance
Center Freq.(Fo) +/- 0.5 %			879.25 MHz	879.25 MHz
Tunable Range			879.25±10 MHz	879.25±10 MHz
Insertion Loss		Typ.	6.5 dB	5.60 dB
-3 dB Bandwidth		Typ.	8 MHz	12.4 MHz
Sensitivity (Attenuation)	Fo - 20 MHz	Typ.	21 dBc	24 dBc
	Fo + 20 MHz	Typ.	13 dBc	16 dBc
	Fo - ()MHz	Typ.	dBc	dBc
	Fo + ()MHz	Typ.	dBc	dBc
Return Loss		Min.	12 dB	15.4 dB
Ripple			< 1 dB	dB
Impedance			In / Out : 75 Ω	In / Out : 75 Ω

(4)Torque for Tuning Screw > 100gf · cm

(5)Temperature Condition:
 Operating Temperature 0°C ~ +60°C
 Storage Temperature -20°C ~ +70°C

(6)Input Power > 1Watt

(7)Measuring Circuit: ※Easy to match Impedance S11/S22 75Ω by parallel with about(0.5pF)/(9nH).

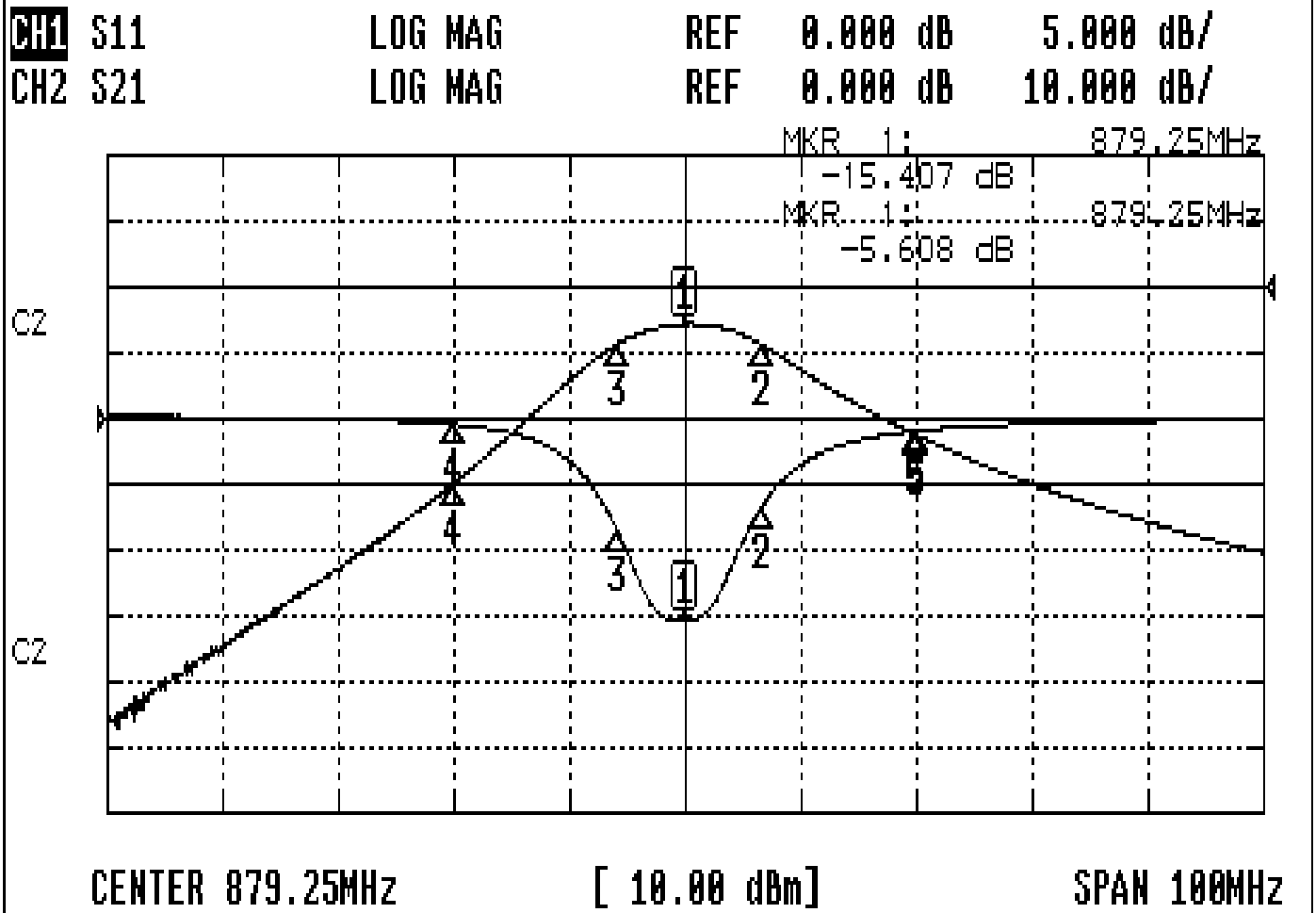


Approval	Supervisor	Designer	Aperture size
C.Y.Chang	C.S.Chang	P.H.Chiang	7H3(4*4.65)F 左 7H046LB4/中 7H046RB4

TEMWELL CORPORATION

Performance-TTL6386F-879.25M

061114DC



CH1 MARKER LIST

1:	879.250MHz	-15.407	dB	
2:	880.833MHz	-16.869	dB	
3:	730.416MHz	-10.460	dB	
4:	999.250MHz	-10.398	dB	
5:	999.250MHz	-0.921	dB	

CH2 MARKER LIST

1:	879.250MHz	-5.608	dB	
2:	880.833MHz	-11.645	dB	
3:	730.416MHz	-12.077	dB	
4:	999.250MHz	-22.903	dB	
5:	999.250MHz	-22.435	dB	