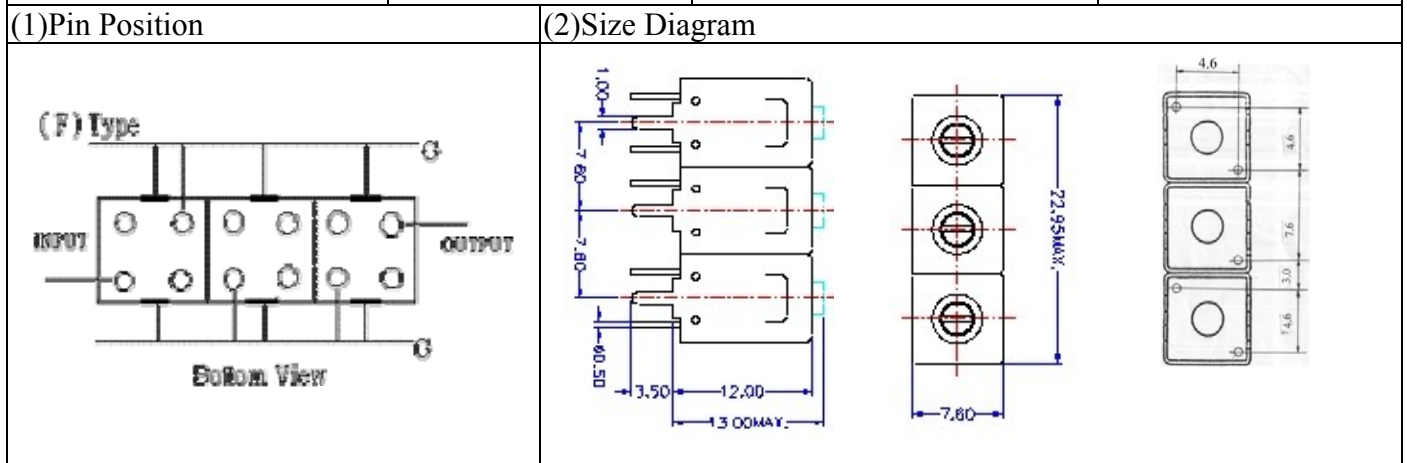


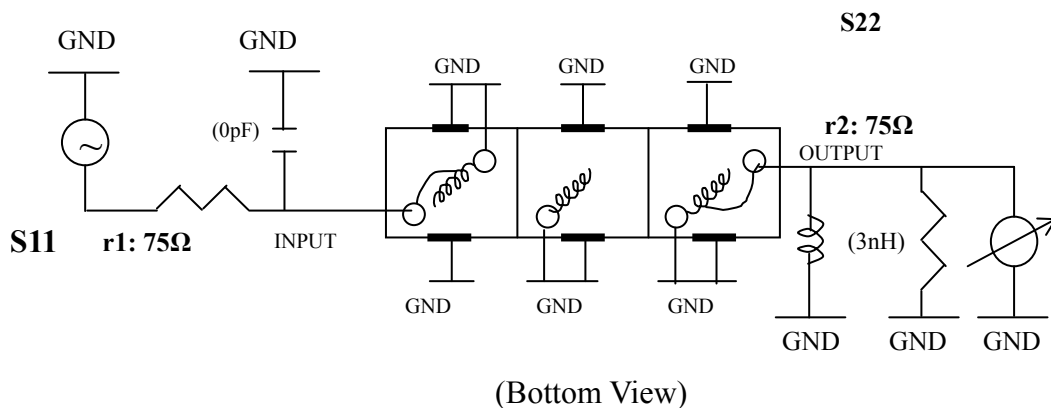
VHF UHF Helical Filter Specification Sheet

Customer Name		Temwell's Part No.	TTL6383F-861.25M
Approval No. /dated	0611111APR	Acceptable Specify Fo Range	861~900 MHz
Work Instruction No.	0611111DC	Date	Dec.11.2006



(3) Electric Character			
Item		Specify	Performance
Center Freq.(Fo) +/- 0.5 %		861.25 MHz	861.25 MHz
Tunable Range		861.25±10 MHz	861.25±10 MHz
Insertion Loss		Typ. 6.0 dB	3.98 dB
-3 dB Bandwidth		Typ. 7 MHz	11.7 MHz
Sensitivity (Attenuation)	Fo - 20 MHz	Typ. 22 dBc	25 dBc
	Fo + 20 MHz	Typ. 16 dBc	19 dBc
	Fo - ()MHz	Typ. dBc	dBc
	Fo + ()MHz	Typ. dBc	dBc
Return Loss		Min. 12 dB	20.0 dB
Ripple		< 1 dB	dB
Impedance		In / Out : 75 Ω	In / Out : 75 Ω
(4) Torque for Tuning Screw		> 100gf · cm	
(5) Temperature Condition:			
Operating Temperature		0°C ~ +60°C	
Storage Temperature		-20°C ~ +70°C	
(6) Input Power		> 1Watt	

(7) Measuring Circuit: ※Easy to match Impedance S11/S22 75Ω by parallel with about(0pF)/(3nH).

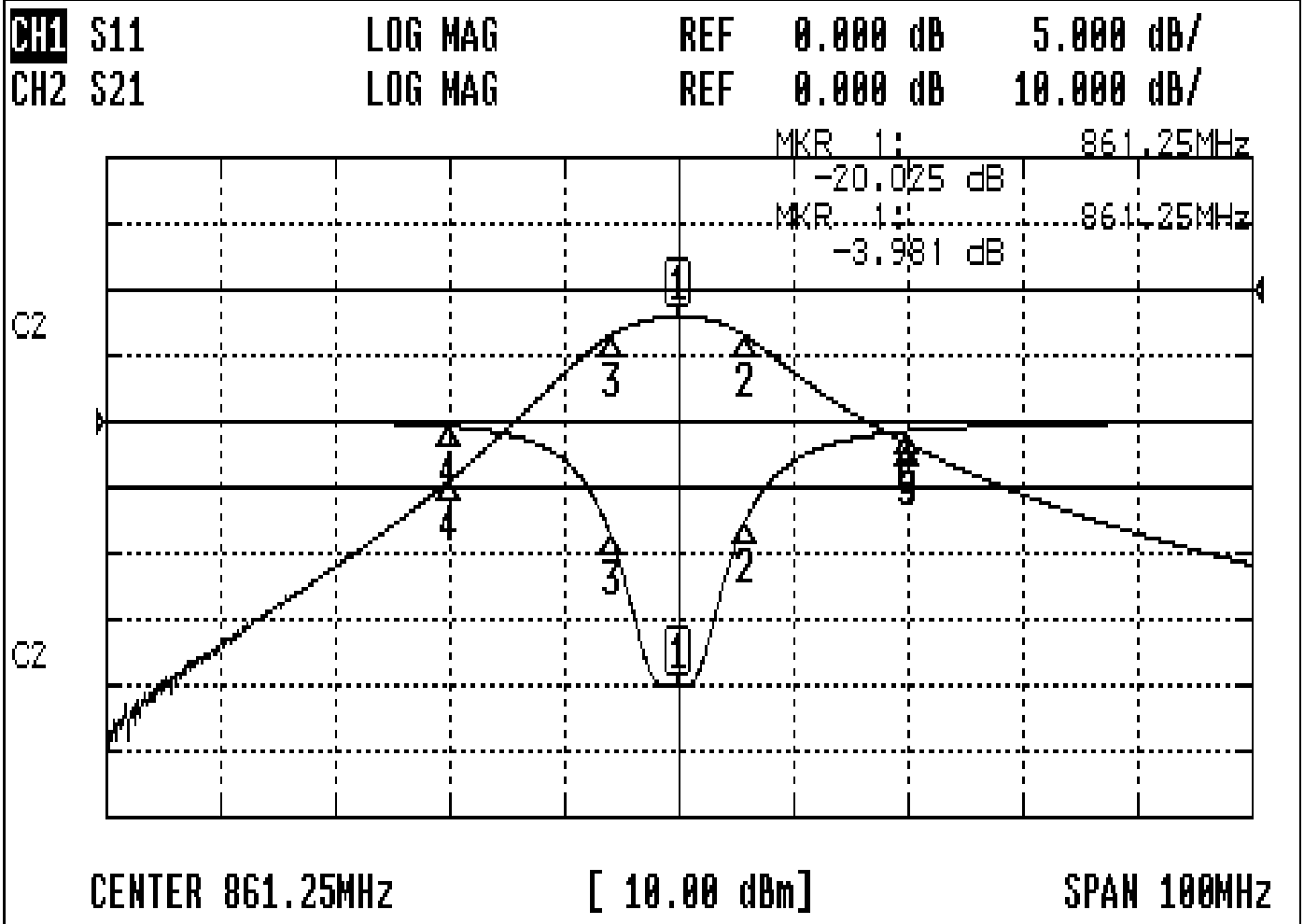


Approval	Supervisor	Designer	Aperture size
C.Y.Chang	C.S.Chang	P.H.Chiang	7H3(4*4.65)F 左 7H046LB4 聚 3/中 7H046RB4

TEMWELL CORPORATION

Performance-TTL6383F-861.25M

061111DC



CH1 MARKER LIST

1:	861.250MHz	-20.025	dB
2:	867.083MHz	-7.647	dB
3:	855.333MHz	-8.574	dB
4:	841.250MHz	-0.371	dB
5:	861.250MHz	-0.737	dB

CH2 MARKER LIST

1:	861.250MHz	-3.981	dB
2:	867.083MHz	-1.997	dB
3:	855.333MHz	-1.997	dB
4:	841.250MHz	-2.000	dB
5:	861.250MHz	-23.326	dB