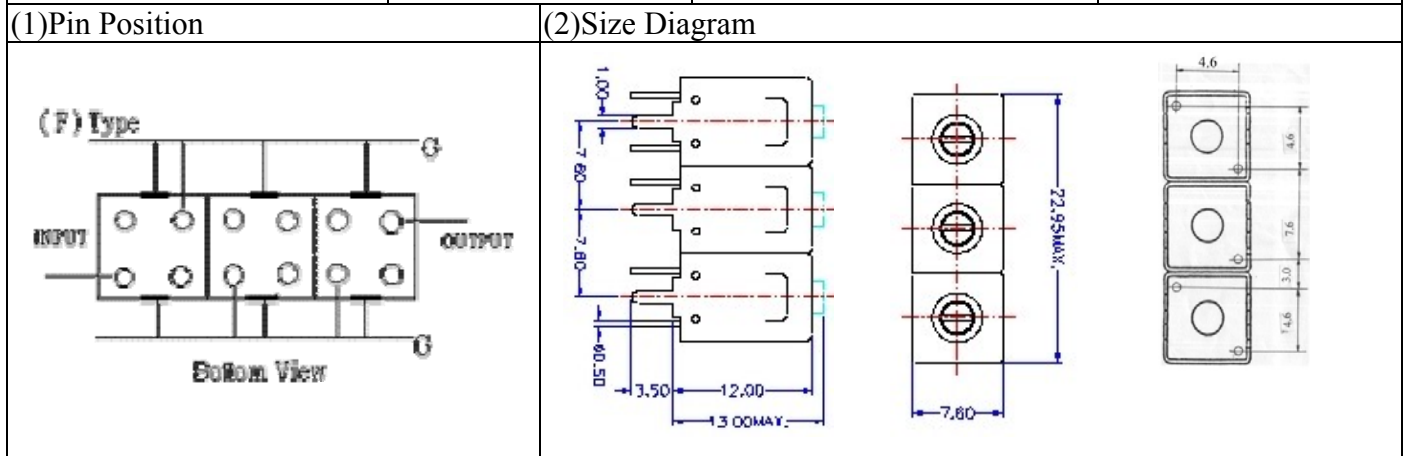


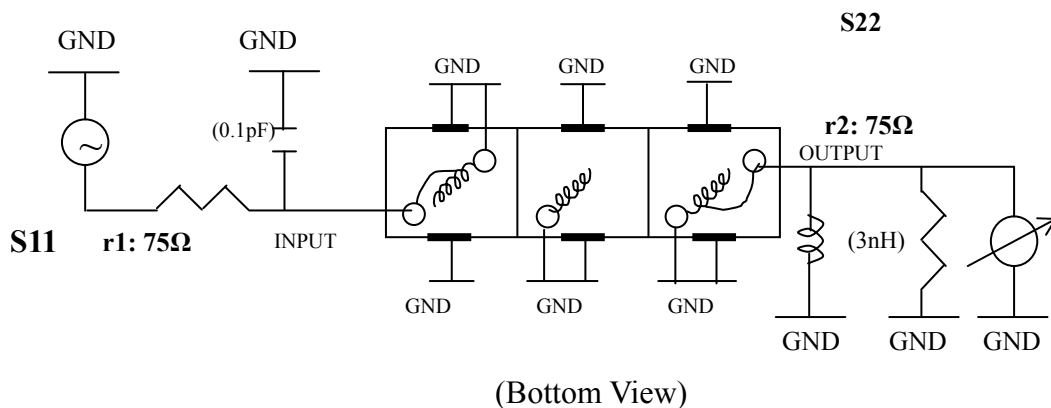
# VHF UHF Helical Filter Specification Sheet

Customer Name		Temwell's Part No.	TTL6378F-831.25M
Approval No. /dated	0611106APR	Acceptable Specify Fo Range	831~860 MHz
Work Instruction No.	0611106DC	Date	Dec.08.2006



(3) Electric Character			
Item		Specify	Performance
Center Freq.(Fo) +/- 0.5 %		831.25 MHz	831.25 MHz
Tunable Range		831.25±10 MHz	831.25±15 MHz
Insertion Loss		Typ. 5.0 dB	3.70 dB
-3 dB Bandwidth		Typ. 8 MHz	12.3 MHz
Sensitivity (Attenuation)	Fo - 20 MHz	Typ. 22 dBc	25 dBc
	Fo + 20 MHz	Typ. 16 dBc	19 dBc
	Fo - ( )MHz	Typ. dBc	dBc
	Fo +( )MHz	Typ. dBc	dBc
Return Loss		Min. 12 dB	18.8 dB
Ripple		< 1 dB	dB
Impedance		In / Out : 75 Ω	In / Out : 75 Ω
(4) Torque for Tuning Screw		> 100gf • cm	
(5) Temperature Condition:			
Operating Temperature		0°C ~ +60°C	
Storage Temperature		-20°C ~ +70°C	
(6) Input Power		> 1Watt	

(7) Measuring Circuit: ※Easy to match Impedance S11/S22 75Ω by parallel with about(0.1pF)/(3nH).

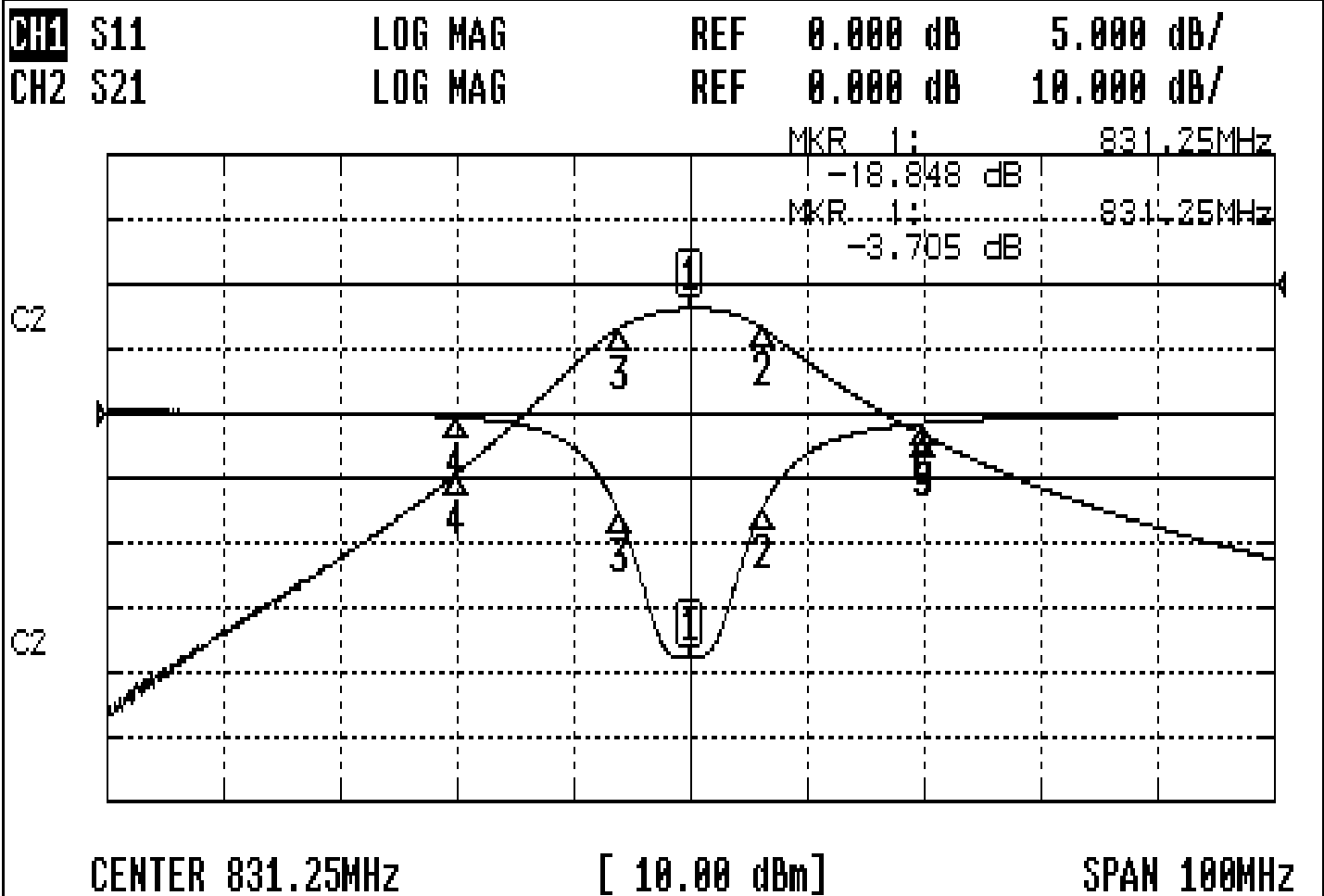


Approval	Supervisor	Designer	Aperture size
C.Y.Chang	C.S.Chang	P.H.Chiang	7H3(4*4.65)F 左 7H046LB4 聚 3/中 7H046RB4

TEMWELL CORPORATION

# Performance-TTL6378F-831.25M

## 0611106DC



### CH1 MARKER LIST

1:	831.250MHz	-18.848	dB
2:	837.416MHz	-7.491	dB
3:	825.166MHz	-7.777	dB
4:	811.250MHz	-0.237	dB
5:	851.250MHz	-0.738	dB
10:			

### CH2 MARKER LIST

1:	831.250MHz	-3.705	dB
2:	837.416MHz	-16.760	dB
3:	825.166MHz	-16.782	dB
4:	811.250MHz	-29.295	dB
5:	851.250MHz	-23.265	dB
10:			