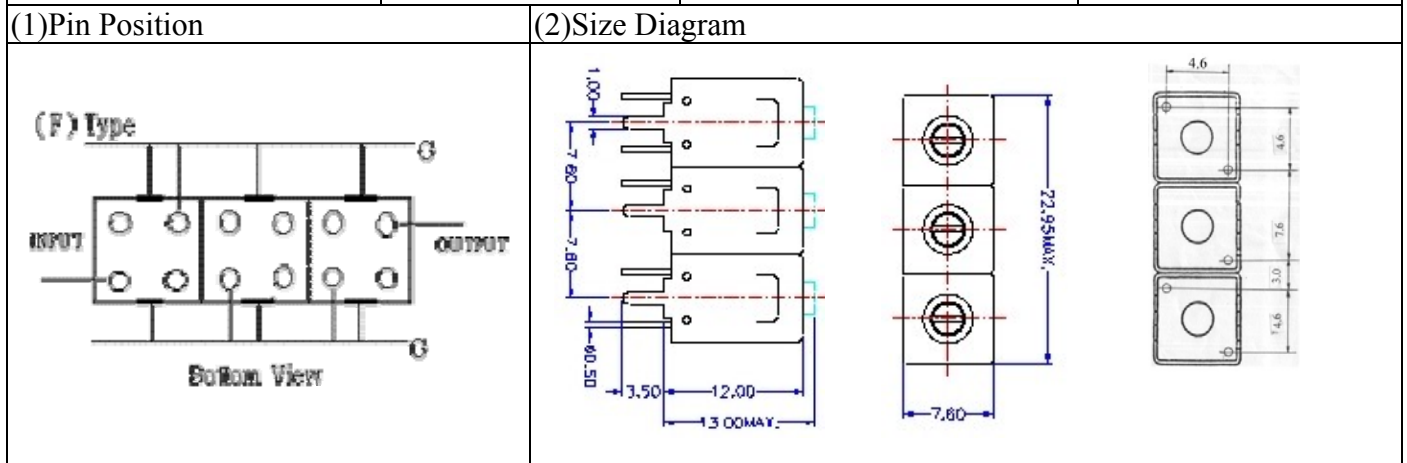


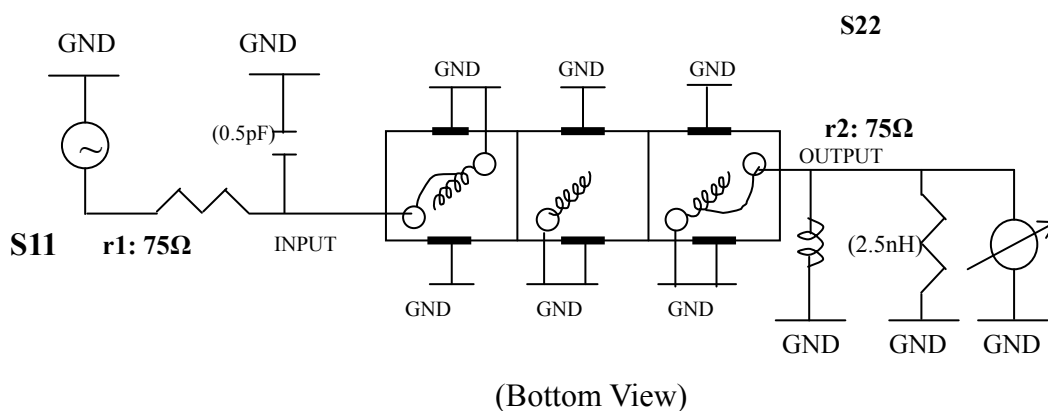
VHF UHF Helical Filter Specification Sheet

Customer Name		Temwell's Part No.	TTL6377F-825.25M
Approval No. /dated	0611105APR	Acceptable Specify Fo Range	801~830 MHz
Work Instruction No.	0611105DC	Date	Dec.08.2006



(3) Electric Character			
Item		Specify	Performance
Center Freq.(Fo) +/- 0.5 %		825.25 MHz	825.25 MHz
Tunable Range		825.25±10 MHz	825.25±10 MHz
Insertion Loss		Typ. 5.0 dB	3.85 dB
-3 dB Bandwidth		Typ. 8 MHz	12.7 MHz
Sensitivity (Attenuation)	Fo - 20 MHz	Typ. 23 dBc	26 dBc
	Fo + 20 MHz	Typ. 17 dBc	20 dBc
	Fo - ()MHz	Typ. dBc	dBc
	Fo + ()MHz	Typ. dBc	dBc
Return Loss		Min. 12 dB	16.4 dB
Ripple		< 1 dB	dB
Impedance		In / Out : 75 Ω	In / Out : 75 Ω
(4) Torque for Tuning Screw		> 100gf · cm	
(5) Temperature Condition:			
Operating Temperature		0°C ~ +60°C	
Storage Temperature		-20°C ~ +70°C	
(6) Input Power		> 1Watt	

(7) Measuring Circuit: ※Easy to match Impedance S11/S22 75Ω by parallel with about(0.5pF)/(2.5nH).



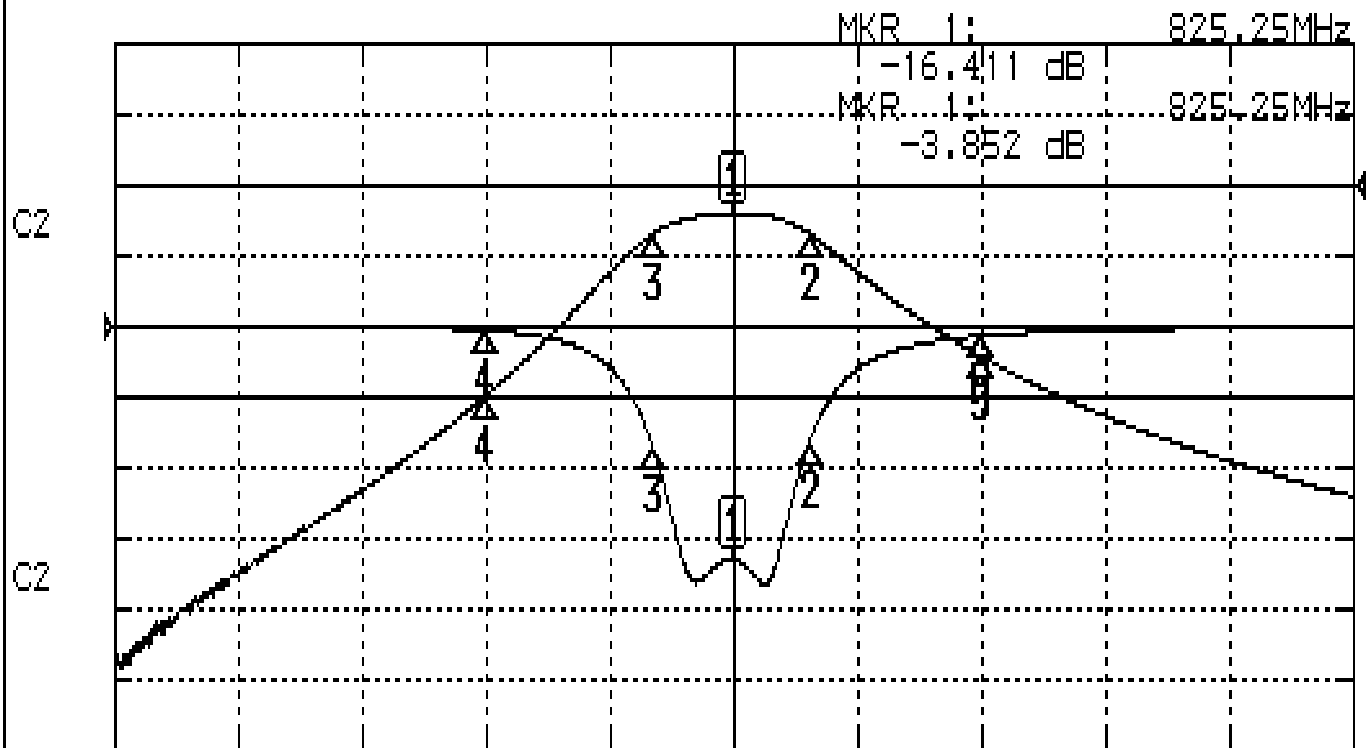
Approval	Supervisor	Designer	Aperture size
C.Y.Chang	C.S.Chang	P.H.Chiang	7H3(4*4.65)F 左 7H046LB4 聚 3/中 7H046RB4

TEMWELL CORPORATION

Performance-TTL6377F-825.25M

0611105DC

CH1 S11 LOG MAG REF 0.000 dB 5.000 dB/
CH2 S21 LOG MAG REF 0.000 dB 10.000 dB/



CENTER 825.25MHz

[10.00 dBm]

SPAN 100MHz

CH1 MARKER LIST

1:	825.250MHz	-16.411 dB
2:	831.416MHz	-8.147 dB
3:	818.750MHz	-8.470 dB
4:	805.250MHz	-0.256 dB
5:	845.250MHz	-0.651 dB

CH2 MARKER LIST

1:	825.250MHz	-3.852 dB
2:	831.416MHz	-6.845 dB
3:	818.750MHz	-6.870 dB
4:	805.250MHz	-29.891 dB
5:	845.250MHz	-24.178 dB