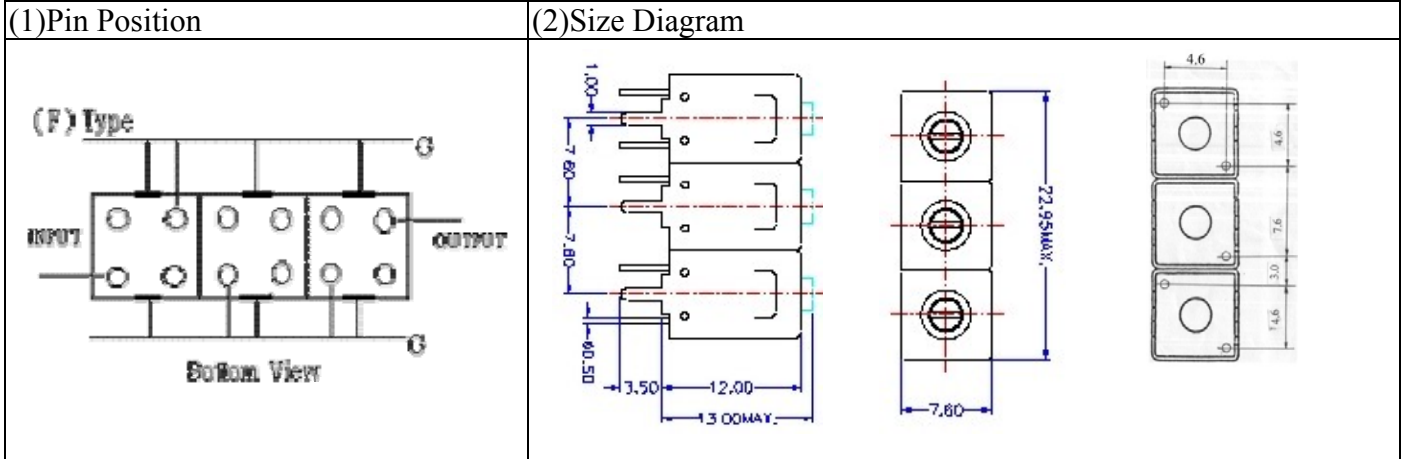


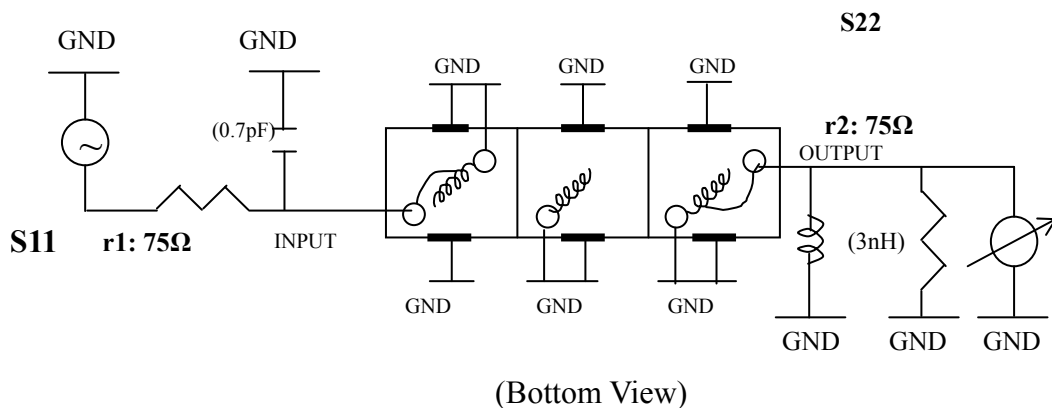
VHF UHF Helical Filter Specification Sheet

Customer Name		Temwell's Part No.	TTL6376F-819.25M
Approval No. /dated	0611104APR	Acceptable Specify Fo Range	801~830 MHz
Work Instruction No.	0611104DC	Date	Dec.11.2006



(3) Electric Character					
Item		Specify		Performance	
Center Freq.(Fo) +/- 0.5 %		819.25 MHz		819.25 MHz	
Tunable Range		819.25±10 MHz		819.25±10 MHz	
Insertion Loss		Typ. 5.0 dB		3.84 dB	
-3 dB Bandwidth		Typ. 9 MHz		13.1 MHz	
Sensitivity (Attenuation)	Fo - 20 MHz	Typ. 23 dBc		26 dBc	
	Fo + 20 MHz	Typ. 17 dBc		20 dBc	
	Fo - ()MHz	Typ. dBc		dBc	
	Fo + ()MHz	Typ. dBc		dBc	
Return Loss		Min. 12 dB		14.9 dB	
Ripple		< 1 dB		dB	
Impedance		In / Out : 75 Ω		In / Out : 75 Ω	
(4) Torque for Tuning Screw		> 100gf · cm			
(5) Temperature Condition:					
Operating Temperature		0°C ~ +60°C			
Storage Temperature		-20°C ~ +70°C			
(6) Input Power		> 1Watt			

(7) Measuring Circuit: ※Easy to match Impedance S11/S22 75Ω by parallel with about(0.7pF)/(3nH).

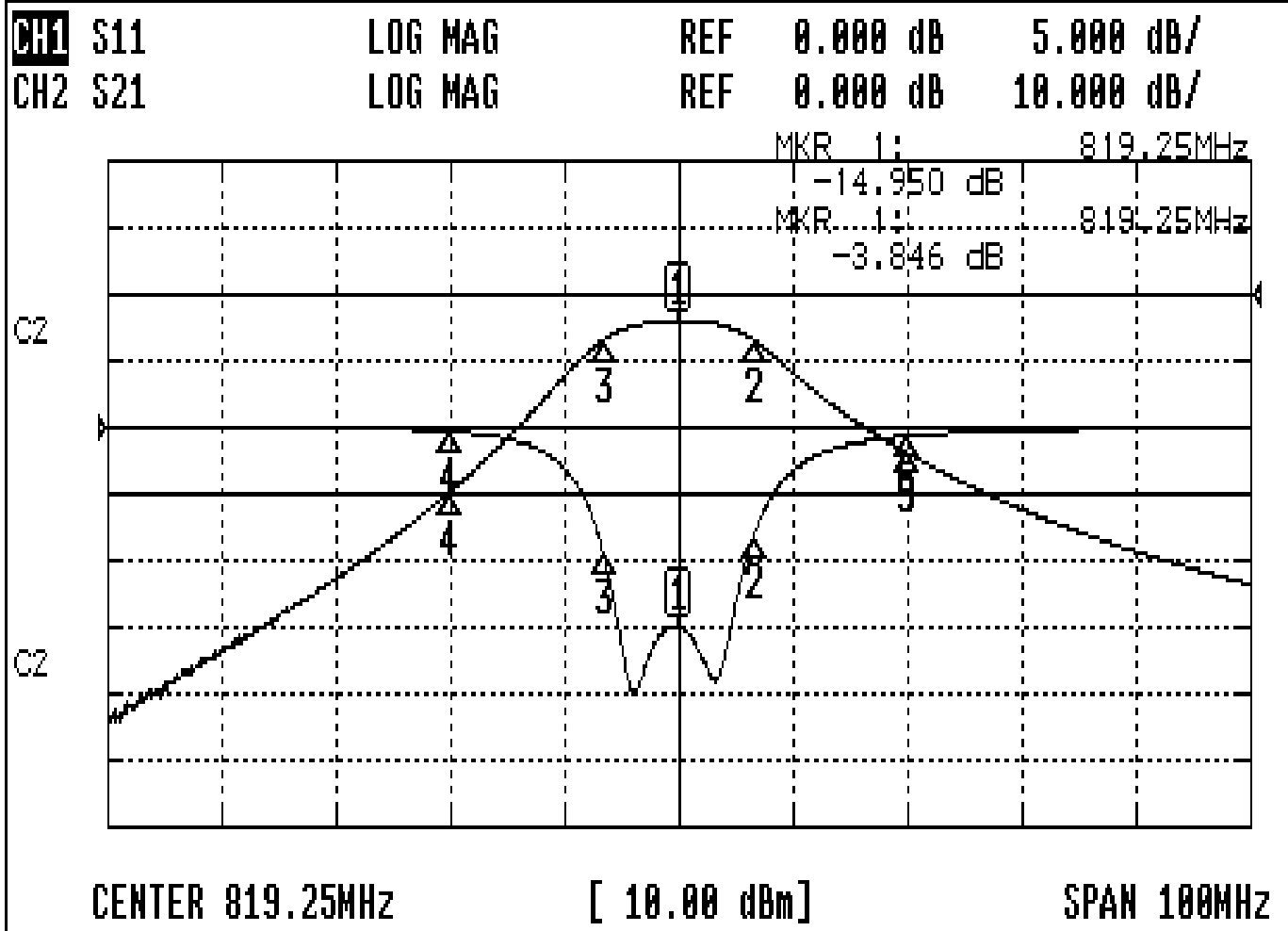


Approval	Supervisor	Designer	Aperture size
C.Y.Chang	C.S.Chang	P.H.Chiang	7H3(4*4.65)F 左 7H046LB4 聚 3/中 7H046RB4

TEMWELL CORPORATION

Performance-TTL6376F-819.25M

0611104DC



CH1 MARKER LIST

1:	819.250MHz	-14.950 dB
2:	825.750MHz	-8.371 dB
3:	812.666MHz	-9.316 dB
4:	799.250MHz	-0.300 dB
5:	839.250MHz	-0.646 dB

CH2 MARKER LIST

1:	819.250MHz	-3.846 dB
2:	825.750MHz	-6.817 dB
3:	812.666MHz	-6.871 dB
4:	799.250MHz	-29.762 dB
5:	839.250MHz	-23.775 dB