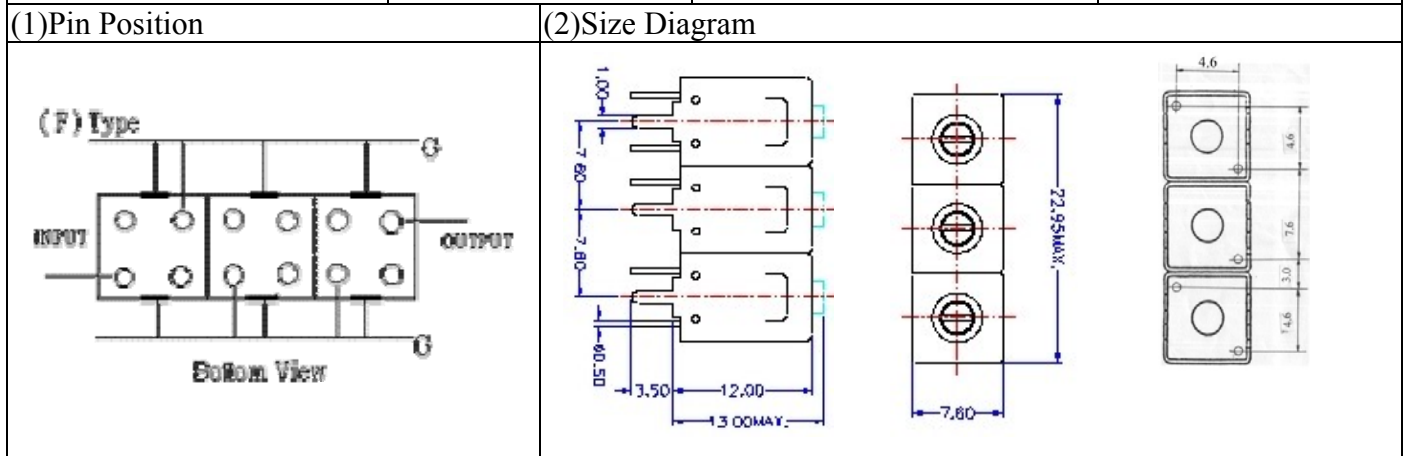


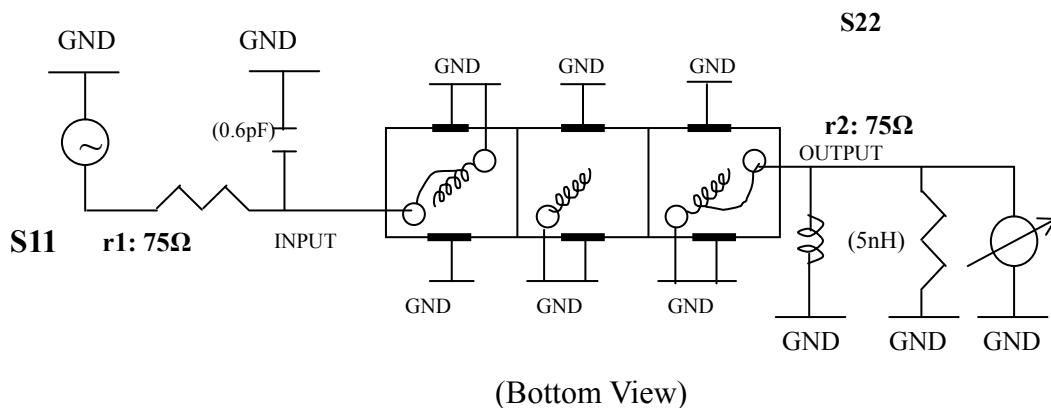
# VHF UHF Helical Filter Specification Sheet

Customer Name		Temwell's Part No.	TTL6375F-813.25M
Approval No. /dated	0611103APR	Acceptable Specify Fo Range	801~830 MHz
Work Instruction No.	0611103DC	Date	Dec.08.2006



(3) Electric Character			
Item		Specify	Performance
Center Freq.(Fo) +/- 0.5 %		813.25 MHz	813.25 MHz
Tunable Range		813.25±10 MHz	813.25±10 MHz
Insertion Loss		Typ. 5.0 dB	4.16 dB
-3 dB Bandwidth		Typ. 8 MHz	12.1 MHz
Sensitivity (Attenuation)	Fo - 20 MHz	Typ. 23 dBc	26 dBc
	Fo + 20 MHz	Typ. 17 dBc	20 dBc
	Fo - ( )MHz	Typ. dBc	dBc
	Fo +( )MHz	Typ. dBc	dBc
Return Loss		Min. 12 dB	15.3 dB
Ripple		< 1 dB	dB
Impedance		In / Out : 75 Ω	In / Out : 75 Ω
(4) Torque for Tuning Screw		> 100gf · cm	
(5) Temperature Condition:			
Operating Temperature		0°C ~ +60°C	
Storage Temperature		-20°C ~ +70°C	
(6) Input Power		> 1Watt	

(7) Measuring Circuit: ※Easy to match Impedance S11/S22 75Ω by parallel with about(0.6pF)/(5nH).



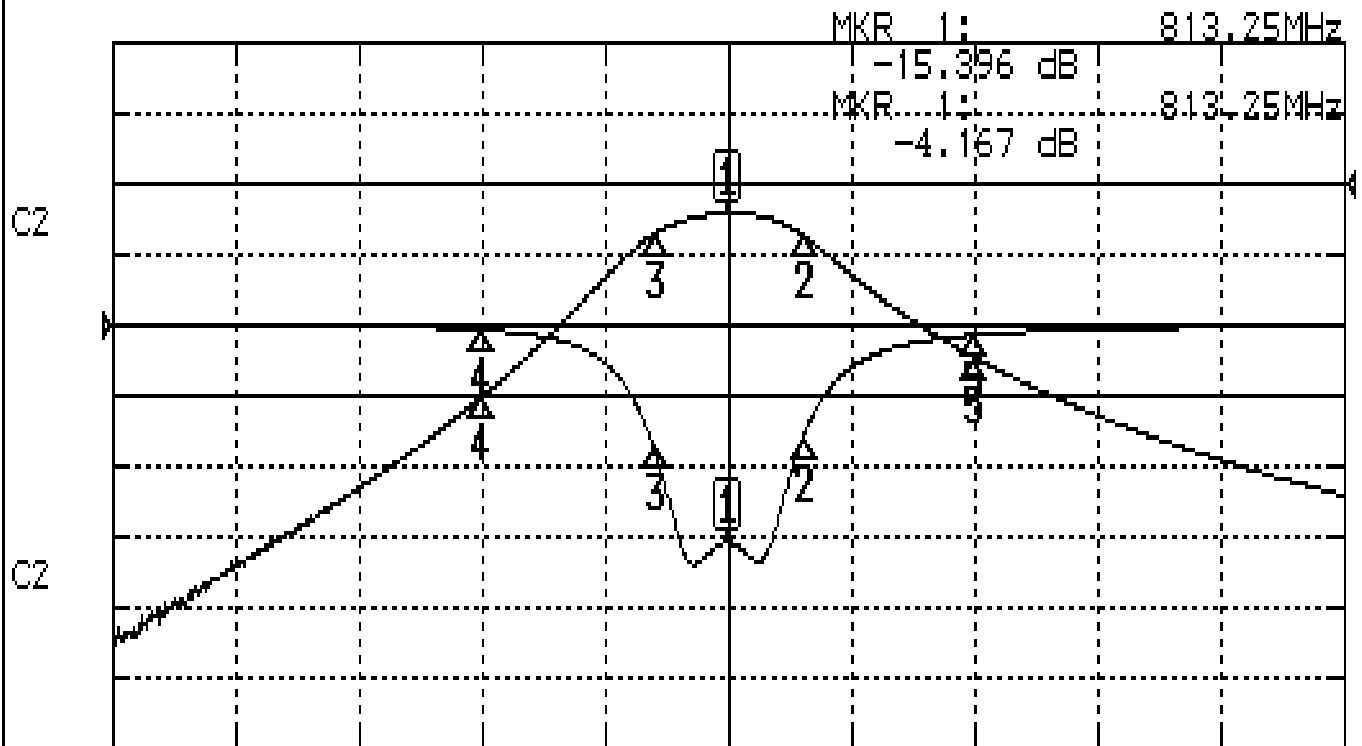
Approval	Supervisor	Designer	Aperture size
C.Y.Chang	C.S.Chang	P.H.Chiang	7H3(4*4.65)F 左 7H046LB4/中 7H046RB4

TEMWELL CORPORATION

# Performance-TTL6375F-813.25M

## 0611103DC

CH1 S11 LOG MAG REF 0.000 dB 5.000 dB/  
CH2 S21 LOG MAG REF 0.000 dB 10.000 dB/



CENTER 813.25MHz

[ 10.00 dBm ]

SPAN 100MHz

### CH1 MARKER LIST

1:	813.250MHz	-15.396	dB
2:	819.333MHz	-8.044	dB
3:	807.250MHz	-8.669	dB
4:	793.250MHz	-0.305	dB
5:	833.250MHz	-0.677	dB

### CH2 MARKER LIST

1:	813.250MHz	-4.167	dB
2:	819.333MHz	-7.178	dB
3:	807.250MHz	-7.113	dB
4:	793.250MHz	-30.239	dB
5:	833.250MHz	-24.503	dB