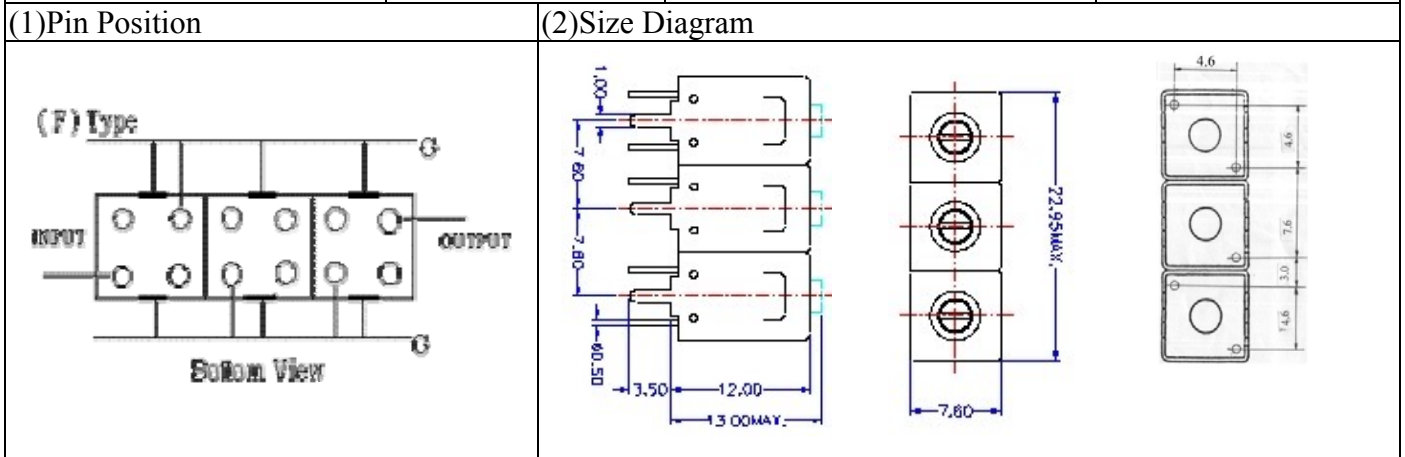
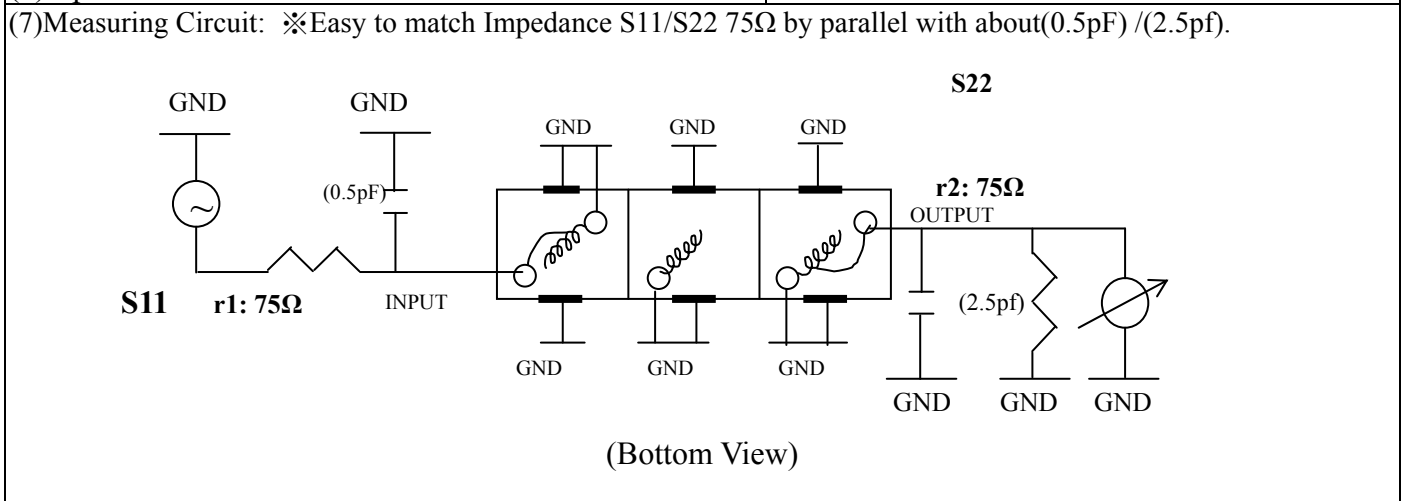


VHF UHF Helical Filter Specification Sheet

| | | | |
|----------------------|------------|-----------------------------|------------------|
| Customer Name | | Temwell's Part No. | TTL6373F-801.25M |
| Approval No. /dated | 0611101APR | Acceptable Specify Fo Range | 801~830 MHz |
| Work Instruction No. | 0611101DC | Date | Dec.08.2006 |



| (3) Electric Character | | | |
|------------------------------|-------------|-----------------|-----------------|
| Item | | Specify | Performance |
| Center Freq.(Fo) +/- 0.5 % | | 801.25 MHz | 801.25 MHz |
| Tunable Range | | 801.25±10 MHz | 801.25±15 MHz |
| Insertion Loss | | Typ. 5.5 dB | 4.44 dB |
| -3 dB Bandwidth | | Typ. 7 MHz | 11.5 MHz |
| Sensitivity (Attenuation) | Fo - 20 MHz | Typ. 23 dBc | 26 dBc |
| | Fo + 20 MHz | Typ. 18 dBc | 21 dBc |
| | Fo - ()MHz | Typ. dBc | dBc |
| | Fo +()MHz | Typ. dBc | dBc |
| Return Loss | | Min. 12 dB | 16.2 dB |
| Ripple | | < 1 dB | dB |
| Impedance | | In / Out : 75 Ω | In / Out : 75 Ω |
| (4) Torque for Tuning Screw | | > 100gf · cm | |
| (5) Temperature Condition: | | | |
| Operating Temperature | | 0°C ~ +60°C | |
| Storage Temperature | | -20°C ~ +70°C | |
| (6) Input Power | | > 1Watt | |

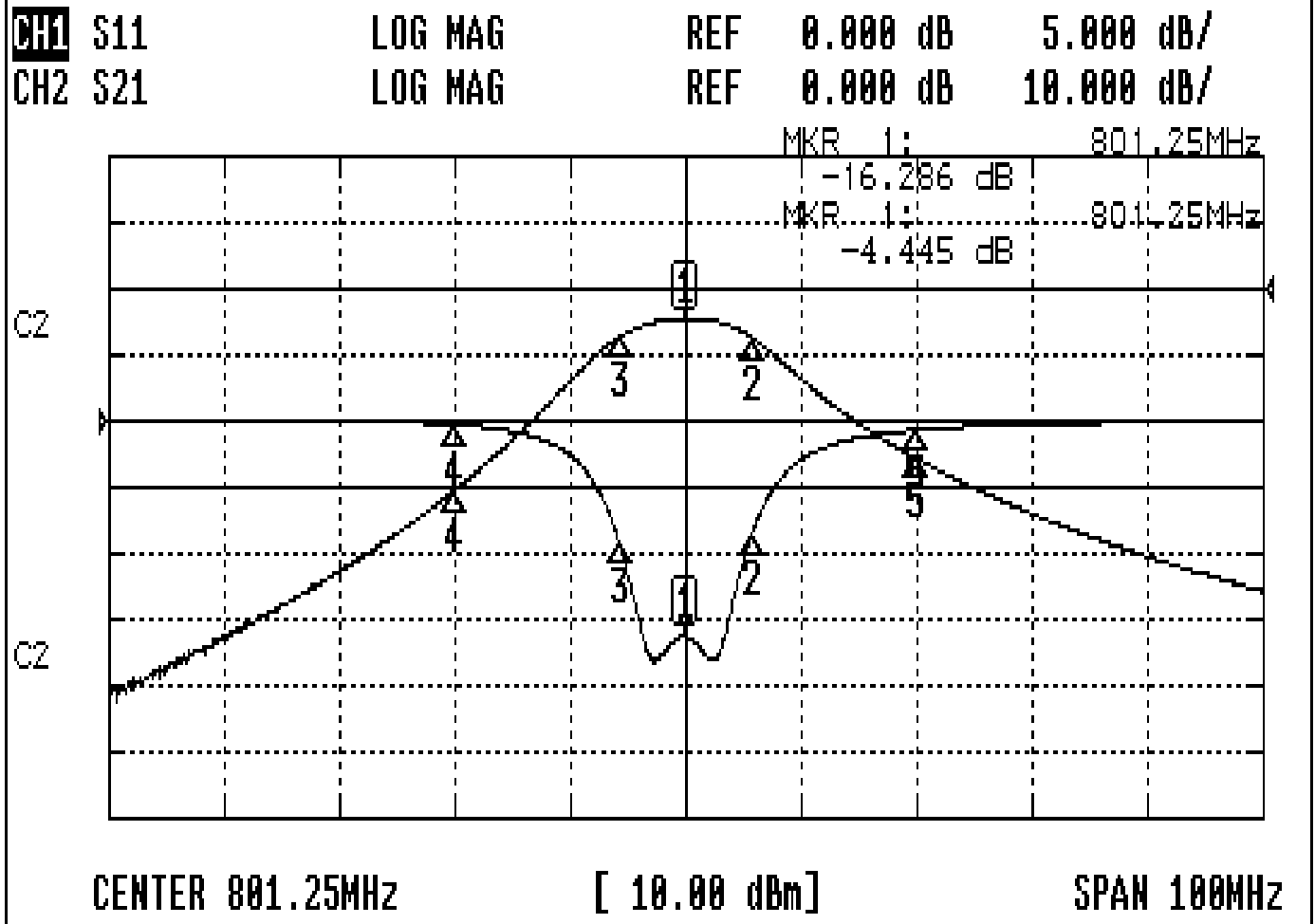


| | | | |
|-----------|------------|------------|---------------------------------------|
| Approval | Supervisor | Designer | Aperture size |
| C.Y.Chang | C.S.Chang | P.H.Chiang | 7H3(4*4.5)F 左 7H046LB4, 中 7H046RB4 |

TEMWELL CORPORATION

Performance-TTL6373F-801.25M

0611101DC



CH1 MARKER LIST

| | | | |
|----|------------|---------|----|
| 1: | 801.250MHz | -16.286 | dB |
| 2: | 807.083MHz | -8.432 | dB |
| 3: | 795.500MHz | -9.011 | dB |
| 4: | 781.250MHz | -0.271 | dB |
| 5: | 821.250MHz | -0.667 | dB |

CH2 MARKER LIST

| | | | |
|----|------------|---------|----|
| 1: | 801.250MHz | -4.445 | dB |
| 2: | 807.083MHz | -7.392 | dB |
| 3: | 795.500MHz | -7.351 | dB |
| 4: | 781.250MHz | -30.519 | dB |
| 5: | 821.250MHz | -25.578 | dB |