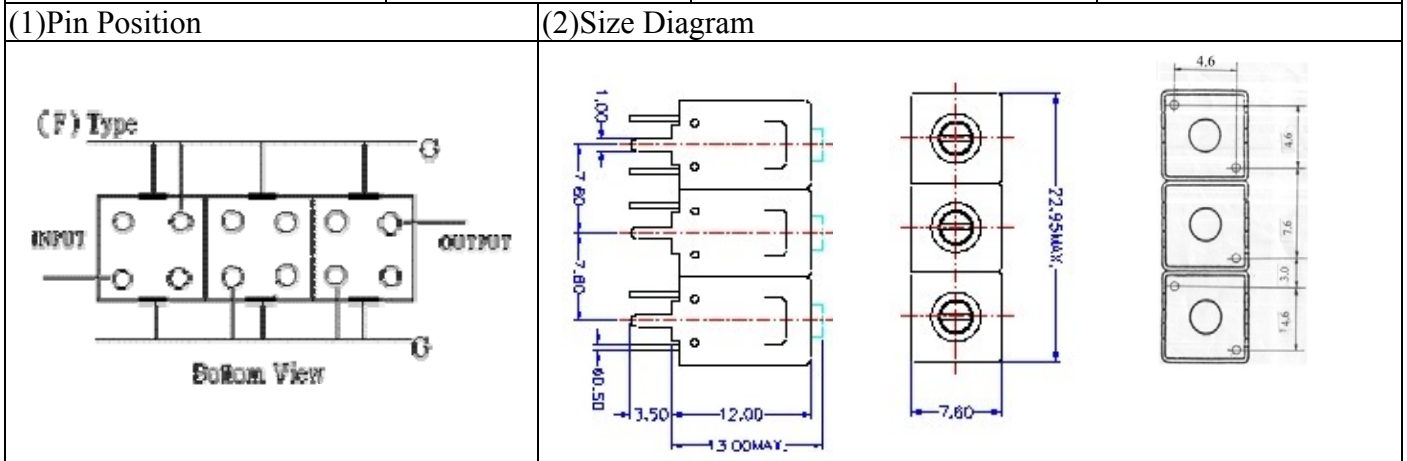


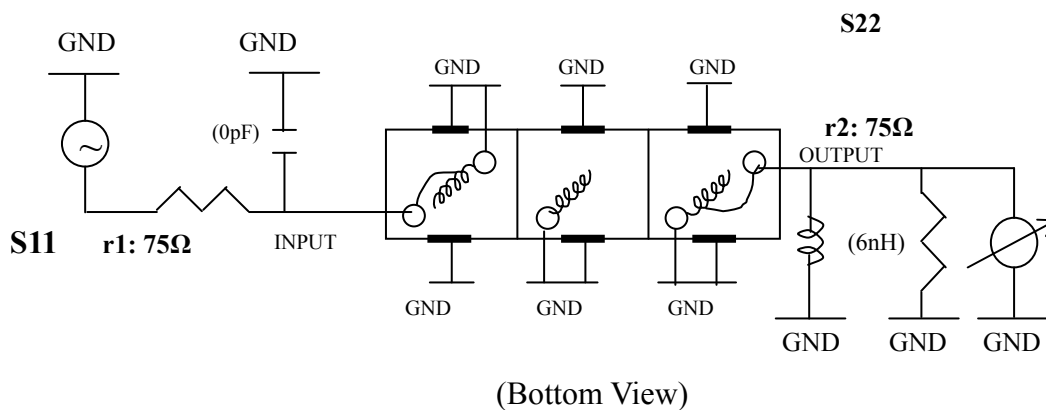
VHF UHF Helical Filter Specification Sheet

Customer Name		Temwell's Part No.	TTL6372F-795.25M
Approval No. /dated	0611100APR	Acceptable Specify Fo Range	751~800 MHz
Work Instruction No.	0611100DC	Date	Dec.07.2006



Item		Specify	Performance
Center Freq.(Fo) +/- 0.5 %		795.25 MHz	795.25 MHz
Tunable Range		795.25±5 MHz	795.25±5 MHz
Insertion Loss		Typ. 6.0 dB	5.13 dB
-3 dB Bandwidth		Typ. 6 MHz	11.5 MHz
Sensitivity (Attenuation)	Fo - 20 MHz	Typ. 28 dB	31 dB
	Fo + 20 MHz	Typ. 21 dB	24 dB
	Fo - ()MHz	Typ. dB	dB
	Fo + ()MHz	Typ. dB	dB
Return Loss		Min. 12 dB	20.1 dB
Ripple		< 1 dB	dB
Impedance		In / Out : 75 Ω	In / Out : 75 Ω
(4) Torque for Tuning Screw		> 60gf · cm	
(5) Temperature Condition:			
Operating Temperature		0°C ~ +60°C	
Storage Temperature		-20°C ~ +70°C	
(6) Input Power		> 1Watt	

(7) Measuring Circuit: ※Easy to match Impedance S11/S22 75Ω by parallel with about(0pF)/(6nH).

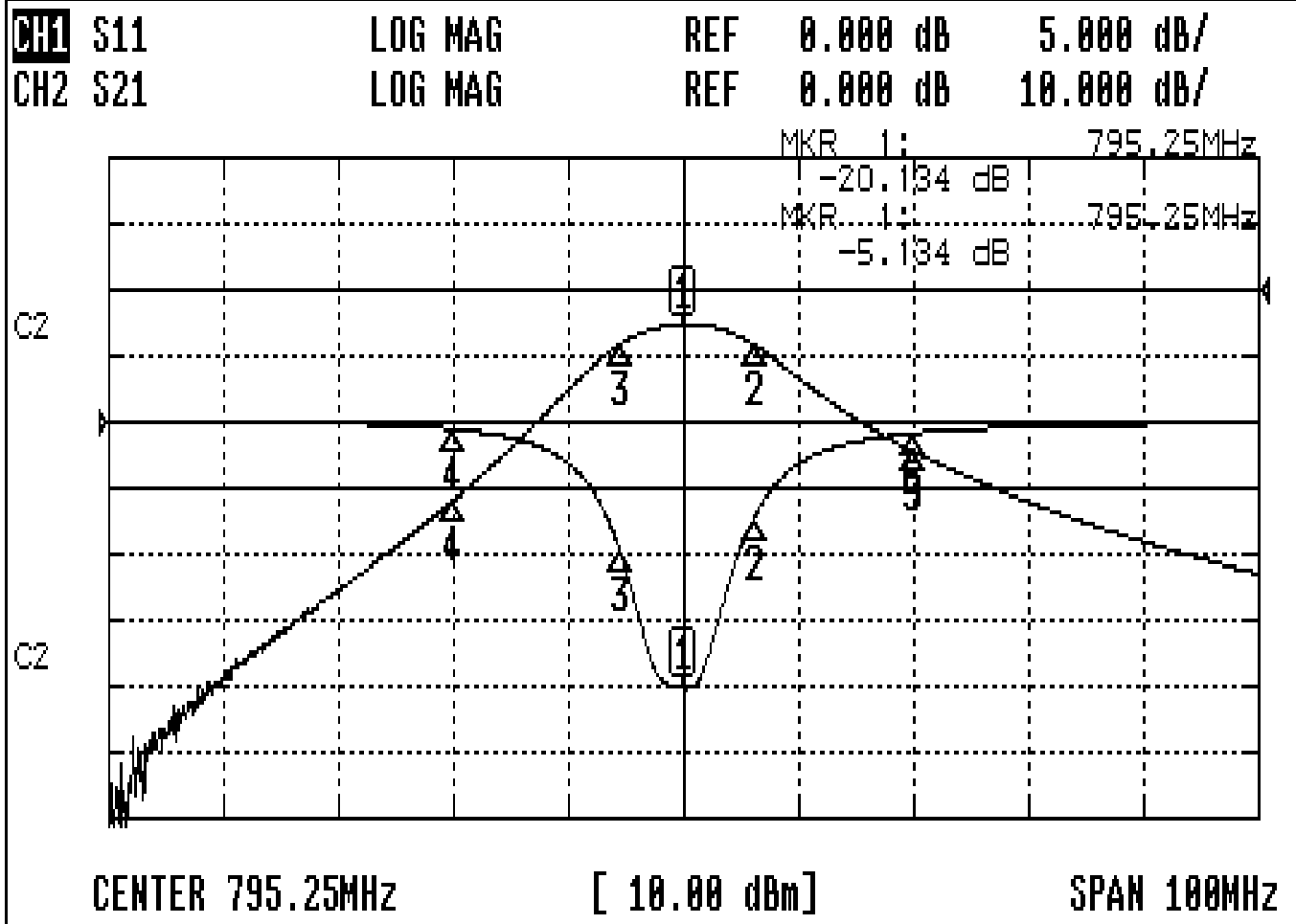


Approval	Supervisor	Designer	Aperture size
C.Y.Chang	C.S.Chang	P.H.Chiang	7H3(4*4.65)F 7H046LB4 / 046RB4

TEMWELL CORPORATION

Performance-TTL6372F-795.25M

0611100DC



CH1 MARKER LIST

1:	795.250MHz	-20.134	dB
2:	801.333MHz	-7.347	dB
3:	789.833MHz	-9.767	dB
4:	775.250MHz	-0.489	dB
5:	815.250MHz	-0.807	dB

CH2 MARKER LIST

1:	795.250MHz	-5.134	dB
2:	801.333MHz	-0.131	dB
3:	789.833MHz	-0.152	dB
4:	775.250MHz	-1.915	dB
5:	815.250MHz	-24.305	dB