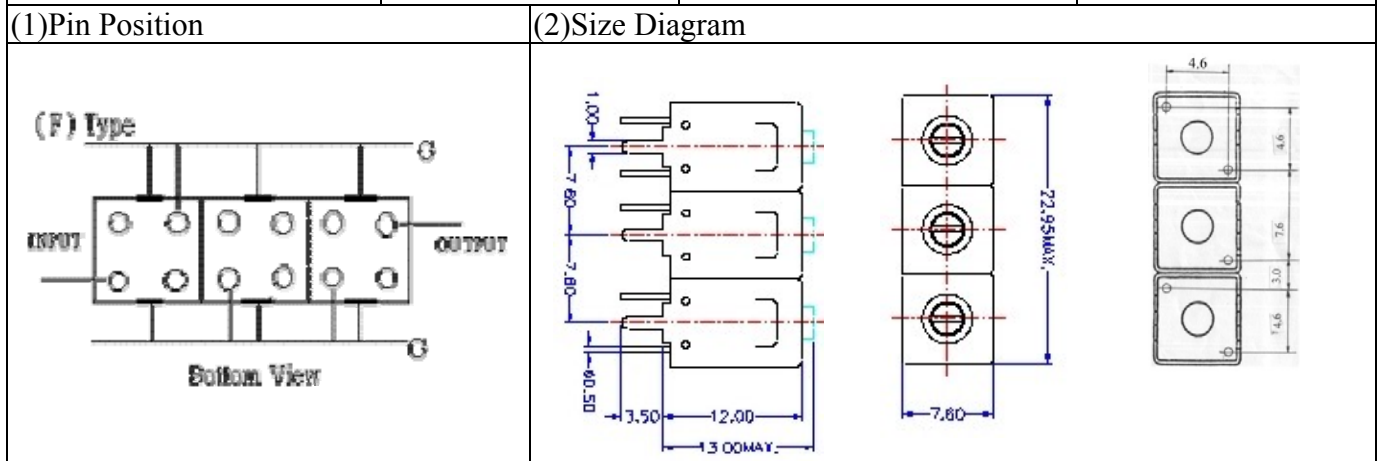


VHF UHF Helical Filter Specification Sheet

Customer Name		Temwell's Part No.	TTL6371F-789.25M
Approval No. /dated	0611099APR	Acceptable Specify Fo Range	751~800 MHZ
Work Instruction No.	0611099DC	Date	Dec.07.2006



(3) Electric Chararistic

Item	Specify	Performance	
Center Freq.(Fo) +/- 0.5 %	789.25 MHz	789.25 MHz	
Tunable Range	789.25±5 MHz	789.25±5 MHz	
Insertion Loss	Typ. 6.0 dB	5.21 dB	
-3 dB Bandwidth	Typ. 6 MHz	13.3 MHz	
Sensitivity (Attenuation)	Fo - 20 MHz	Typ. 26 dB	29 dB
	Fo + 20 MHz	Typ. 20 dB	23 dB
	Fo - ()MHz	Typ. dB	dB
	Fo +()MHz	Typ. dB	dB
Return Loss	Min. 12 dB	21.8 dB	
Ripple	< 1 dB	dB	
Impedance	In / Out : 75 Ω	In / Out : 75 Ω	

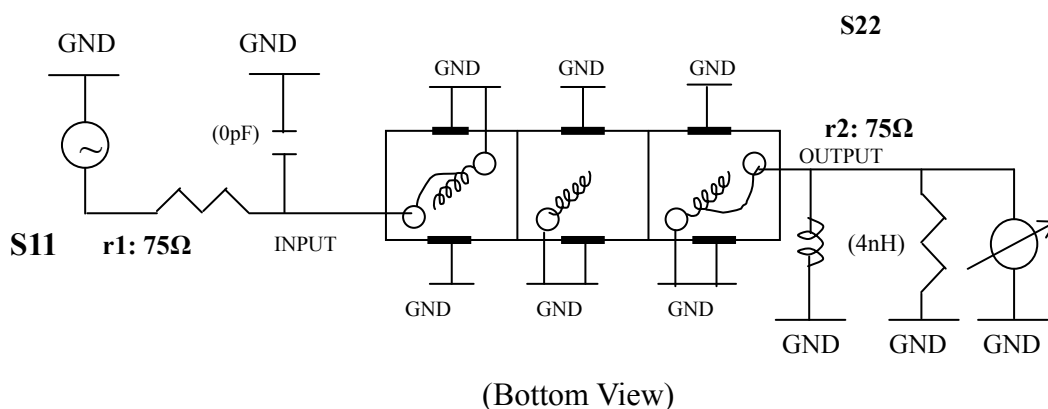
(4) Torque for Tuning Screw > 60gf · cm

(5) Temperature Condition:

Operating Temperature	0°C ~ +60°C
Storage Temperature	-20°C ~ +70°C

(6) Input Power > 1Watt

(7) Measuring Circuit: ※Easy to match Impedance S11/S22 75Ω by parallel with about(0pF)/(4nH).



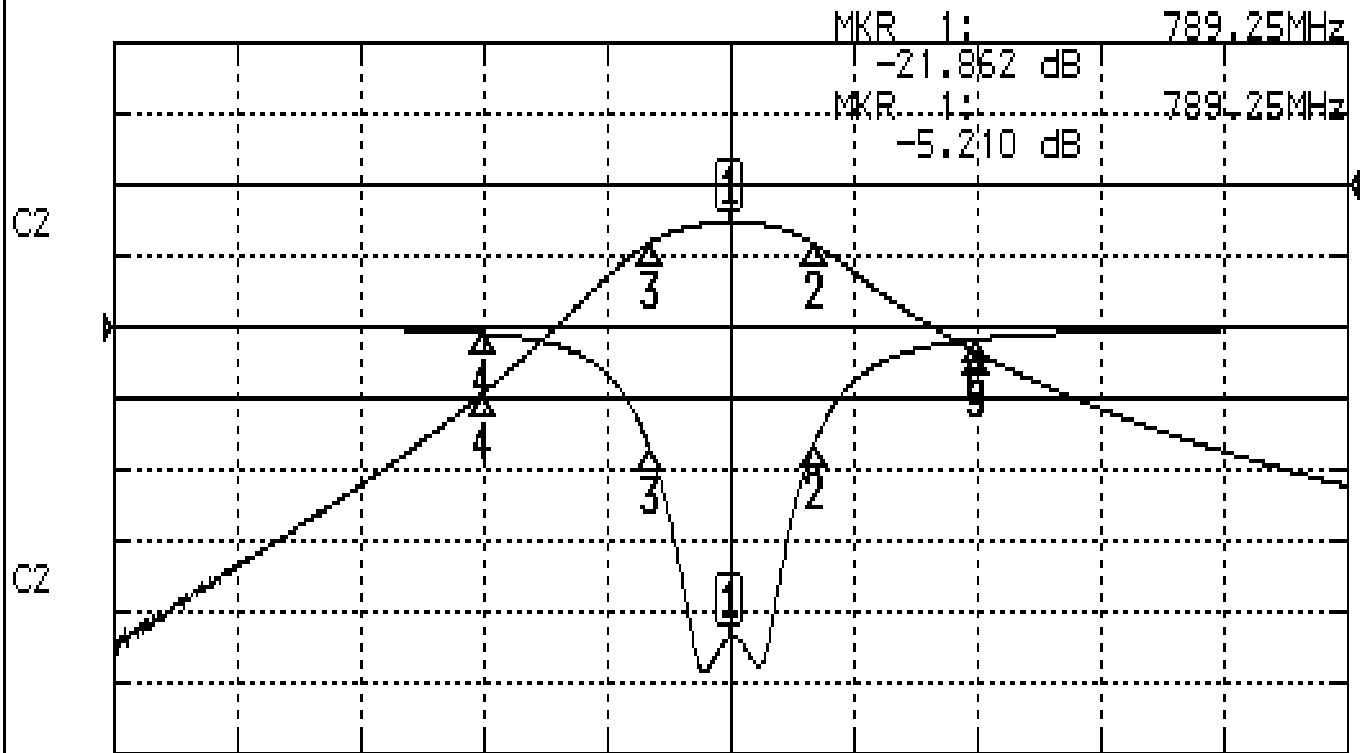
Approval	Supervisor	Designer	Aperture size
C.Y.Chang	C.S.Chang	P.H.Chiang	7H3(4*4.65)F 7H046LB4 / 046RB4

TEMWELL CORPORATION

Performance-TTL6371F-789.25M

0611099DC

CH1 S11 LOG MAG REF 0.000 dB 5.000 dB/
CH2 S21 LOG MAG REF 0.000 dB 10.000 dB/



CENTER 789.25MHz

[10.00 dBm]

SPAN 100MHz

CH1 MARKER LIST

1:	789.250MHz	-21.862	dB
2:	796.083MHz	-8.265	dB
3:	782.750MHz	-8.474	dB
4:	769.250MHz	-0.425	dB
5:	809.250MHz	-0.832	dB

CH2 MARKER LIST

1:	789.250MHz	-5.210	dB
2:	796.083MHz	-8.297	dB
3:	782.750MHz	-8.168	dB
4:	769.250MHz	-29.245	dB
5:	809.250MHz	-23.529	dB