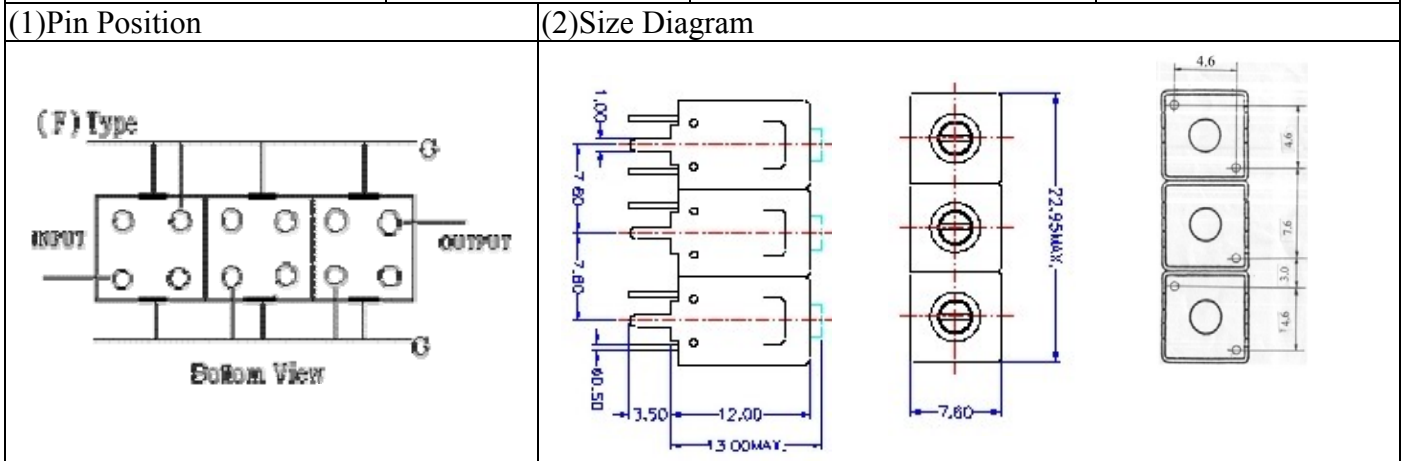


# VHF UHF Helical Filter Specification Sheet

Customer Name		Temwell's Part No.	TTL6370F-783.25M
Approval No. /dated	0611098APR	Acceptable Specify Fo Range	751~800 MHz
Work Instruction No.	0611098DC	Date	Dec.04.2006



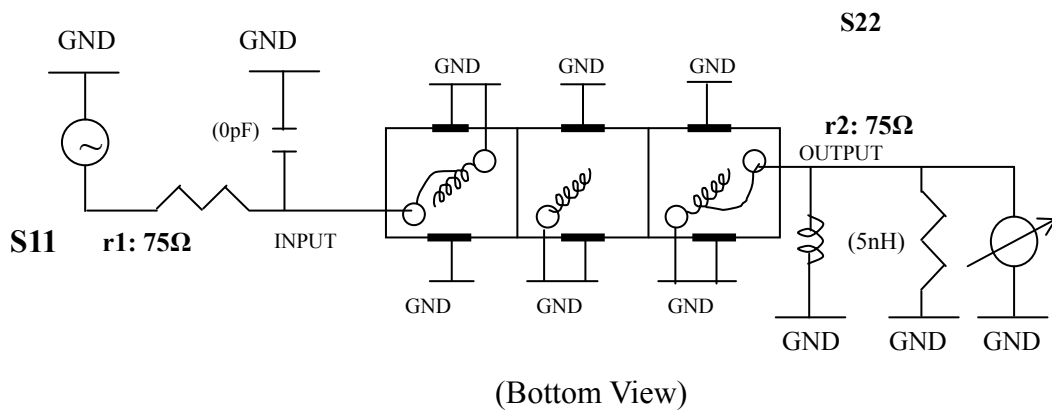
Item		Specify	Performance
Center Freq.(Fo) +/- 0.5 %		783.25 MHz	783.25 MHz
Tunable Range		783.25±5 MHz	783.25±5 MHz
Insertion Loss		Typ. 6.0 dB	5.11 dB
-3 dB Bandwidth		Typ. 6 MHz	11.3 MHz
Sensitivity (Attenuation)	Fo - 20 MHz	Typ. 29 dB	32 dB
	Fo + 20 MHz	Typ. 23 dB	26 dB
	Fo - ( )MHz	Typ. dB	dB
	Fo +( )MHz	Typ. dB	dB
Return Loss		Min. 12 dB	29.0 dB
Ripple		< 1 dB	dB
Impedance		In / Out : 75 Ω	In / Out : 75 Ω

(4) Torque for Tuning Screw > 60gf • cm

(5) Temperature Condition:	
Operating Temperature	0°C ~ +60°C
Storage Temperature	-20°C ~ +70°C

(6) Input Power > 1Watt

(7) Measuring Circuit: ※Easy to match Impedance S11/S22 75Ω by parallel with about(0pF)/(5nH).

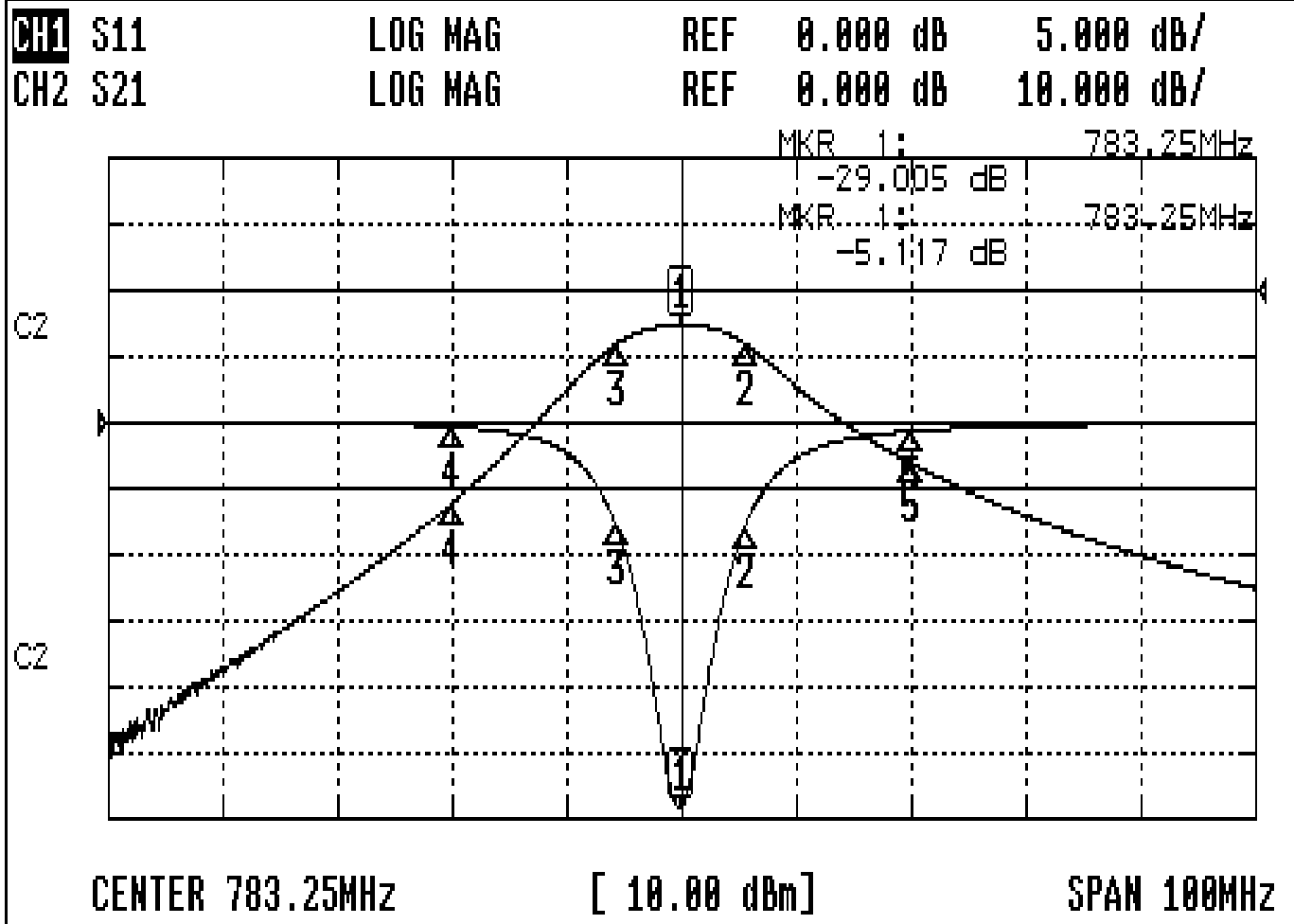


Approval	Supervisor	Designer	Aperture size
C.Y.Chang	C.S.Chang	P.H.Chiang	7H3(4*4.65)F 7H046LB4 / 046RB4

TEMWELL CORPORATION

# Performance-TTL6370F-783.25M

## 0611098DC



### CH1 MARKER LIST

1	783.250MHz	-29.005	dB
2	788.833MHz	-7.885	dB
3	777.583MHz	-7.770	dB
4	763.250MHz	-0.284	dB
5	803.250MHz	-0.627	dB

### CH2 MARKER LIST

1	783.250MHz	-5.117	dB
2	788.833MHz	-0.113	dB
3	777.583MHz	-0.162	dB
4	763.250MHz	-0.285	dB
5	803.250MHz	-26.101	dB