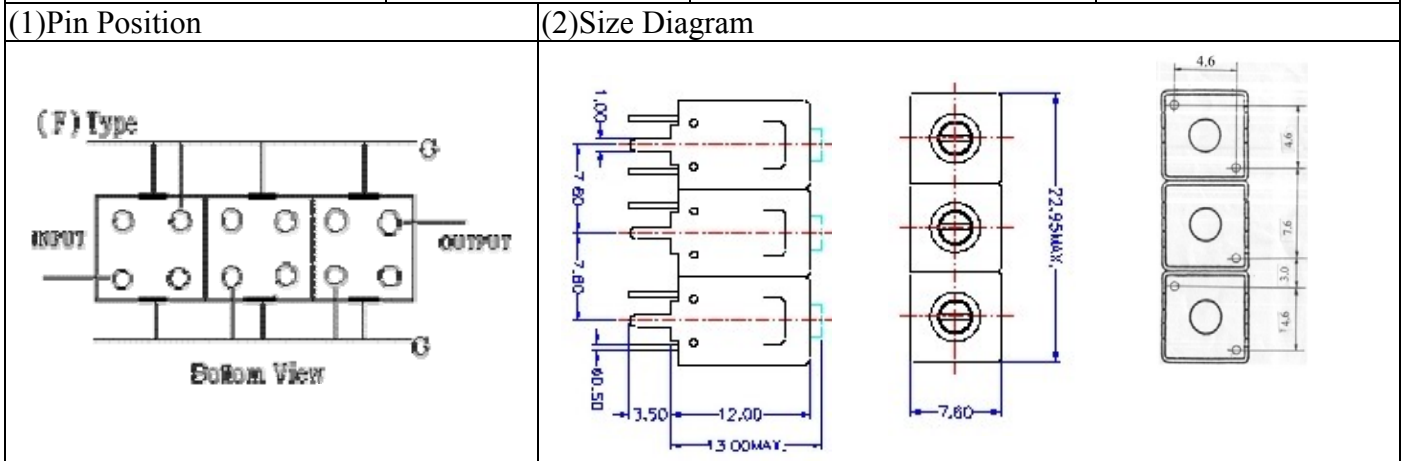


VHF UHF Helical Filter Specification Sheet

Customer Name		Temwell's Part No.	TTL6369F-777.25M
Approval No. /dated	0611097APR	Acceptable Specify Fo Range	751~800 MHz
Work Instruction No.	0611097DC	Date	Dec.04.2006



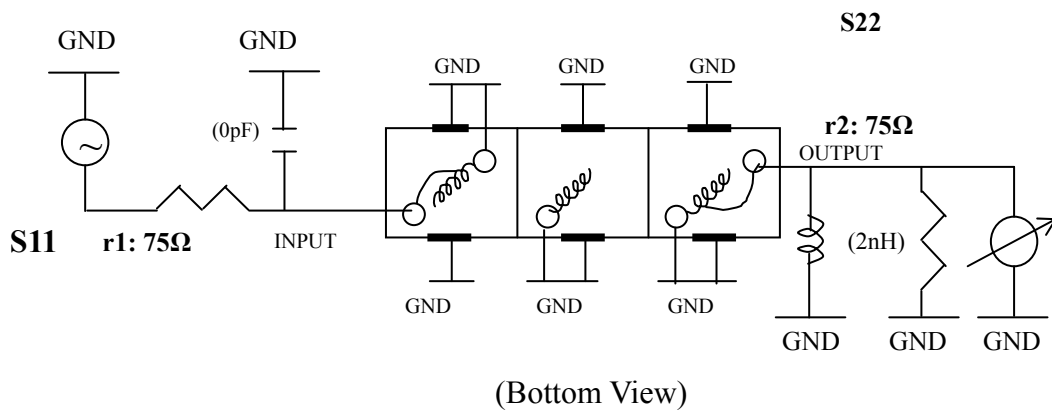
Item		Specify	Performance
Center Freq.(Fo) +/- 0.5 %		777.25 MHz	777.25 MHz
Tunable Range		777.25±5 MHz	777.25±5 MHz
Insertion Loss		Typ. 6.0 dB	4.90 dB
-3 dB Bandwidth		Typ. 6 MHz	11.8 MHz
Sensitivity (Attenuation)	Fo - 20 MHz	Typ. 27 dB	30 dB
	Fo + 20 MHz	Typ. 22 dB	25 dB
	Fo - ()MHz	Typ. dB	dB
	Fo +()MHz	Typ. dB	dB
Return Loss		Min. 12 dB	23.1 dB
Ripple		< 1 dB	dB
Impedance		In / Out : 75 Ω	In / Out : 75 Ω

(4) Torque for Tuning Screw > 60gf • cm

(5) Temperature Condition:	
Operating Temperature	0°C ~ +60°C
Storage Temperature	-20°C ~ +70°C

(6) Input Power > 1Watt

(7) Measuring Circuit: ※Easy to match Impedance S11/S22 75Ω by parallel with about(0pF)/(2nH).



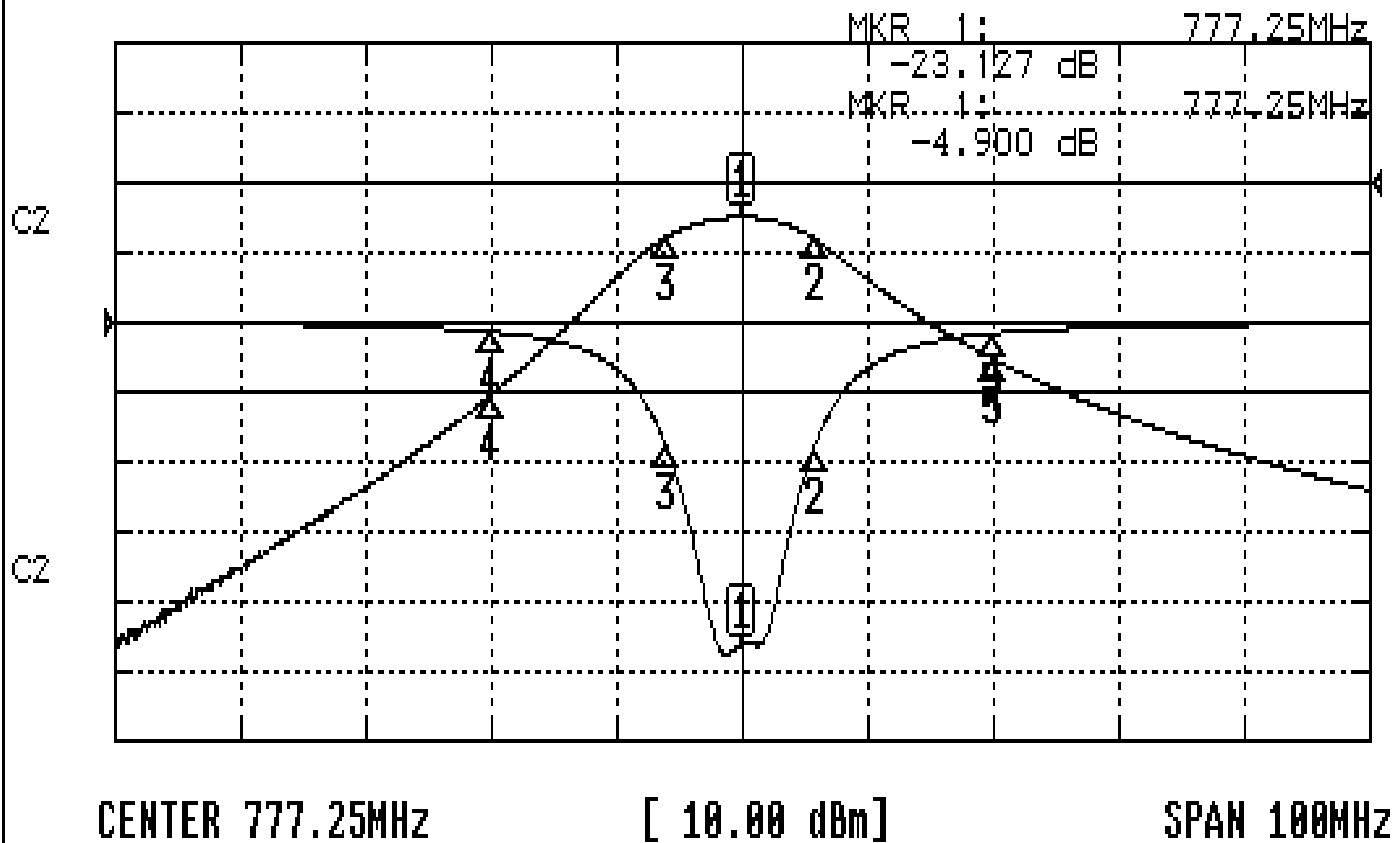
Approval	Supervisor	Designer	Aperture size
C.Y.Chang	C.S.Chang	P.H.Chiang	7H3(4*4.65)F 7H046LB4 / 046RB4

TEMWELL CORPORATION

Performance-TTL6369F-777.25M

0611097DC

CH1 S11 LOG MAG REF 0.000 dB 5.000 dB/
CH2 S21 LOG MAG REF 0.000 dB 10.000 dB/



CH1 MARKER LIST

1:	777.250MHz	-23.127 dB
2:	782.916MHz	-9.195 dB
3:	771.166MHz	-8.723 dB
4:	757.250MHz	-0.669 dB
5:	797.250MHz	-0.785 dB

10:000~10mU
10:

CH2 MARKER LIST

1:	777.250MHz	-4.900 dB
2:	782.916MHz	-7.887 dB
3:	771.166MHz	-7.887 dB
4:	757.250MHz	-30.429 dB
5:	797.250MHz	-25.207 dB

10:000~10mU
10: