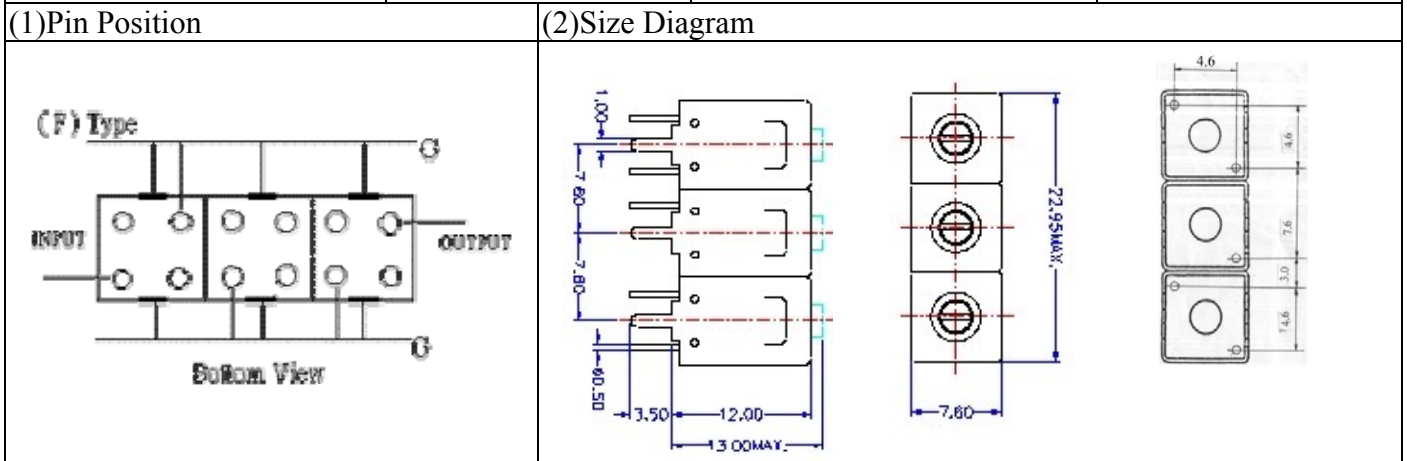


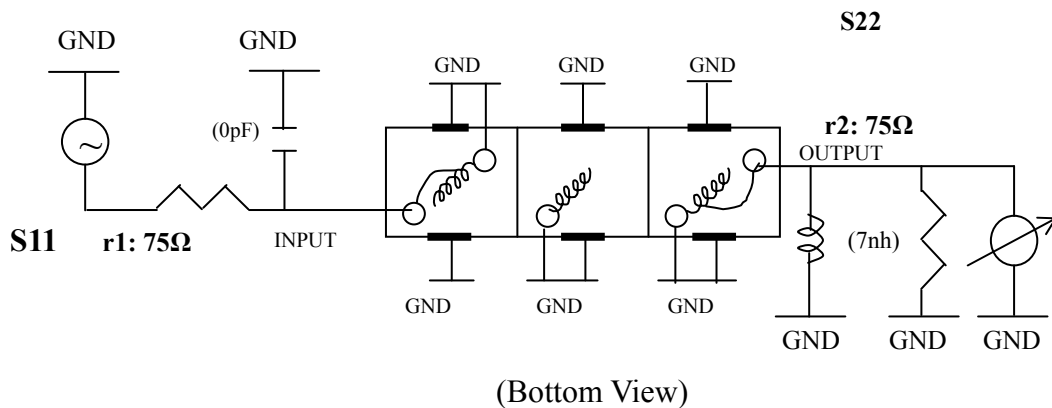
VHF UHF Helical Filter Specification Sheet

Customer Name		Temwell's Part No.	TTL6367F-765.25M
Approval No. /dated	0611095APR	Acceptable Specify Fo Range	751~800 MHz
Work Instruction No.	0611095DC	Date	Dec.04.2006



Item		Specify	Performance
Center Freq.(Fo) +/- 0.5 %		765.25 MHz	765.25 MHz
Tunable Range		765.25±5 MHz	765.25±5 MHz
Insertion Loss		Typ. 6.0 dB	5.16 dB
-3 dB Bandwidth		Typ. 6 MHz	10.3 MHz
Sensitivity (Attenuation)	Fo - 20 MHz	Typ. 28 dB	31 dB
	Fo + 20 MHz	Typ. 21 dB	24 dB
	Fo - ()MHz	Typ. dB	dB
	Fo + ()MHz	Typ. dB	dB
Return Loss		Min. 12 dB	33.8 dB
Ripple		< 1 dB	dB
Impedance		In / Out : 75 Ω	In / Out : 75 Ω
(4) Torque for Tuning Screw		> 60gf · cm	
(5) Temperature Condition:			
Operating Temperature		0°C ~ +60°C	
Storage Temperature		-20°C ~ +70°C	
(6) Input Power		> 1Watt	

(7) Measuring Circuit: ※Easy to match Impedance S11/S22 75Ω by parallel with about(0pF)/(7nh).



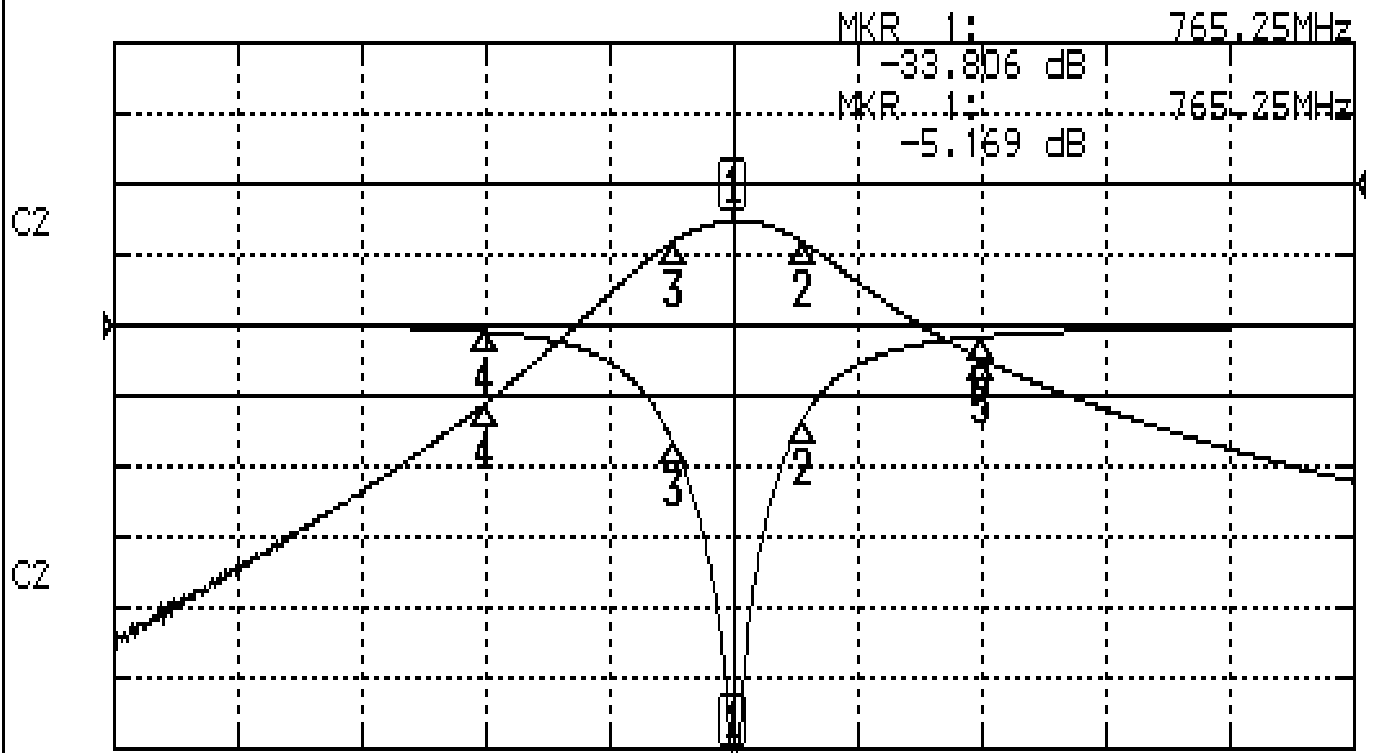
Approval	Supervisor	Designer	Aperture size
C.Y.Chang	C.S.Chang	P.H.Chiang	7H3(4*4.5)F 7H046LB4 / 046RB4

TEMWELL CORPORATION

Performance-TTL6367F-765.25M

0611095DC

CH1 S11 LOG MAG REF 0.000 dB 5.000 dB/
CH2 S21 LOG MAG REF 0.000 dB 10.000 dB/



CENTER 765.25MHz

[10.00 dBm]

SPAN 100MHz

CH1 MARKER LIST

Marker	Frequency (MHz)	Magnitude (dB)
1:	765.250MHz	-33.806 dB
2:	770.750MHz	-16.854 dB
3:	760.416MHz	-10.301 dB
4:	745.250MHz	-0.435 dB
5:	785.250MHz	-0.809 dB
6:		
7:		
8:		
9:		
10:		

CH2 MARKER LIST

Marker	Frequency (MHz)	Magnitude (dB)
1:	765.250MHz	-5.169 dB
2:	770.750MHz	-0.072 dB
3:	760.416MHz	-0.155 dB
4:	745.250MHz	-31.135 dB
5:	785.250MHz	-24.705 dB
6:		
7:		
8:		
9:		
10:		