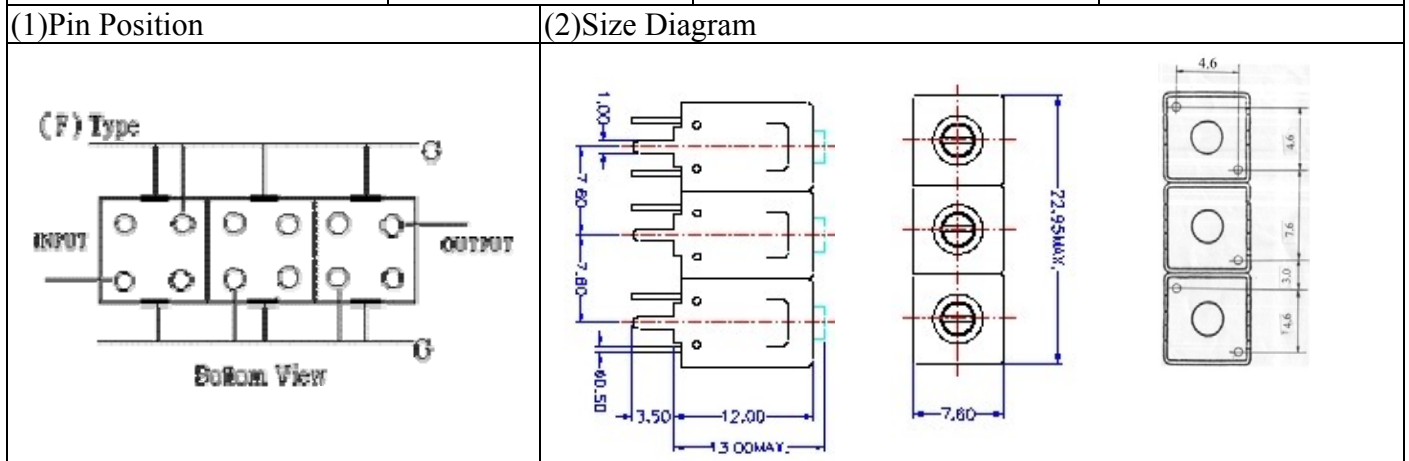


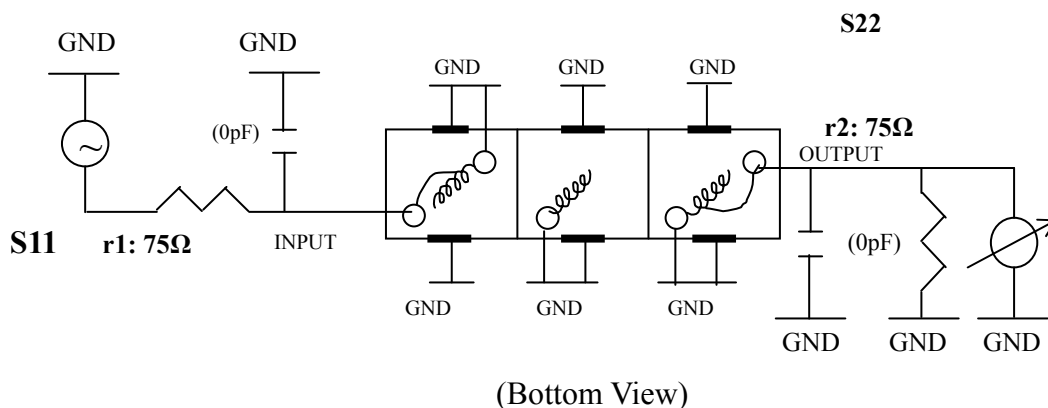
# VHF UHF Helical Filter Specification Sheet

Customer Name		Temwell's Part No.	TTL6365F-753.25M
Approval No. /dated	0611093APR	Acceptable Specify Fo Range	751~800 MHZ
Work Instruction No.	0611093DC	Date	Dec.04.2006



Item		Specify	Performance
Center Freq.(Fo) +/- 0.5 %		753.25 MHz	753.25 MHz
Tunable Range		753.25±5 MHz	753.25±5 MHz
Insertion Loss		Typ. 6.0 dB	5.40 dB
-3 dB Bandwidth		Typ. 6 MHz	10.5 MHz
Sensitivity (Attenuation)	Fo - 20 MHz	Typ. 32 dB	35 dB
	Fo + 20 MHz	Typ. 26 dB	29 dB
	Fo - ( )MHz	Typ. dB	dB
	Fo +( )MHz	Typ. dB	dB
Return Loss		Min. 12 dB	28.8 dB
Ripple		< 1 dB	dB
Impedance		In / Out : 75 Ω	In / Out : 75 Ω
(4) Torque for Tuning Screw		> 60gf · cm	
(5) Temperature Condition:			
Operating Temperature		-0°C ~ +60°C	
Storage Temperature		-20°C ~ +70°C	
(6) Input Power		> 1Watt	

(7) Measuring Circuit: ※Easy to match Impedance S11/S22 75Ω by parallel with about(0pF)/(0pF).

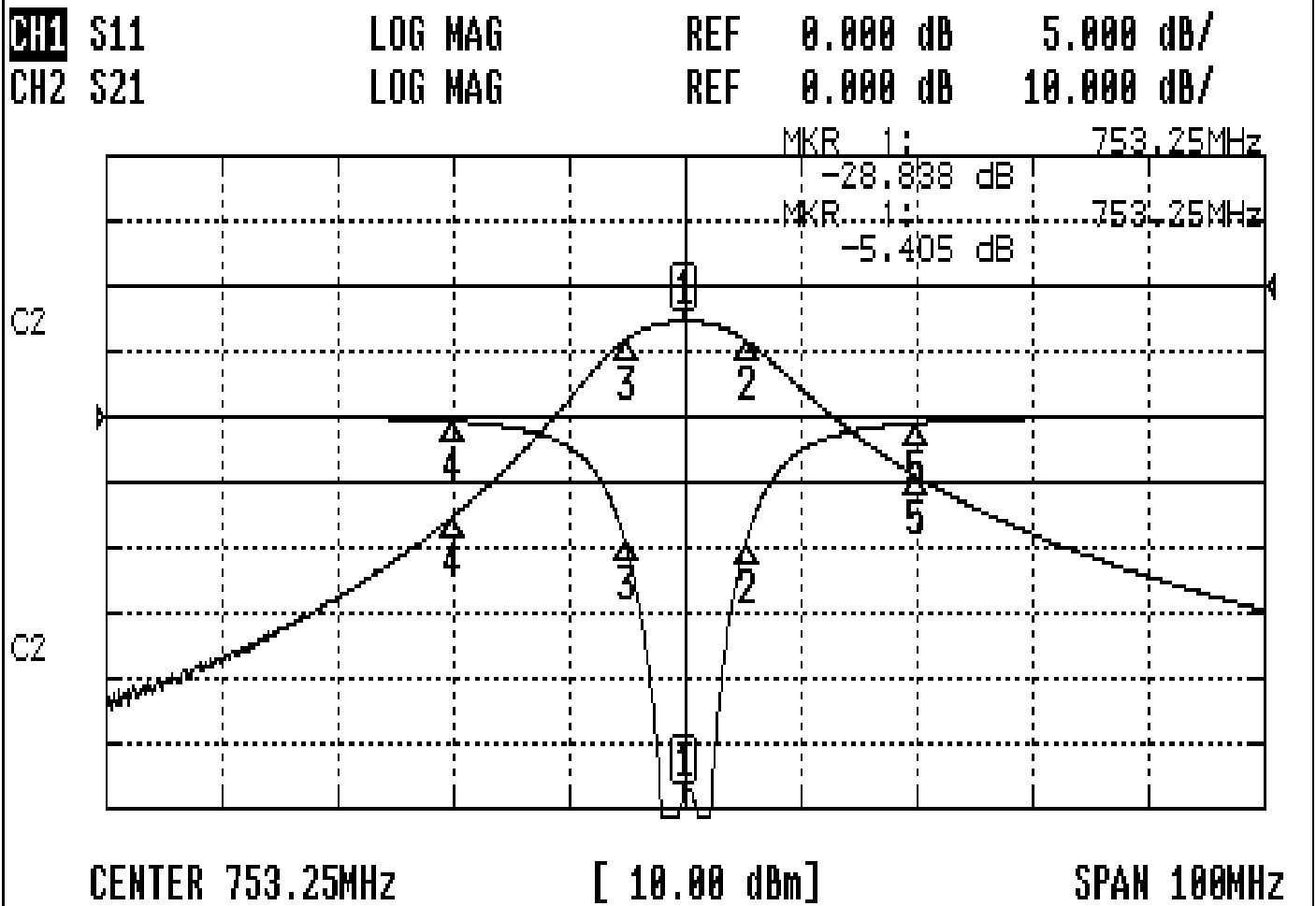


Approval	Supervisor	Designer	Aperture size
C.Y.Chang	C.S.Chang	P.H.Chiang	7H3(4*4.5)F 7H046LB4 聚 3 / 046RB4

TEMWELL CORPORATION

# Performance-TTL6365F-753.25M

## 0611093DC



### CH1 MARKER LIST

1:	753.250MHz	-28.838	dB
2:	758.583MHz	-10.560	dB
3:	748.083MHz	-10.429	dB
4:	733.250MHz	-10.367	dB
5:	773.250MHz	-10.501	dB
10:			

### CH2 MARKER LIST

1:	753.250MHz	-5.405	dB
2:	758.583MHz	-11.324	dB
3:	748.083MHz	-11.342	dB
4:	733.250MHz	-13.241	dB
5:	773.250MHz	-29.037	dB
10:			