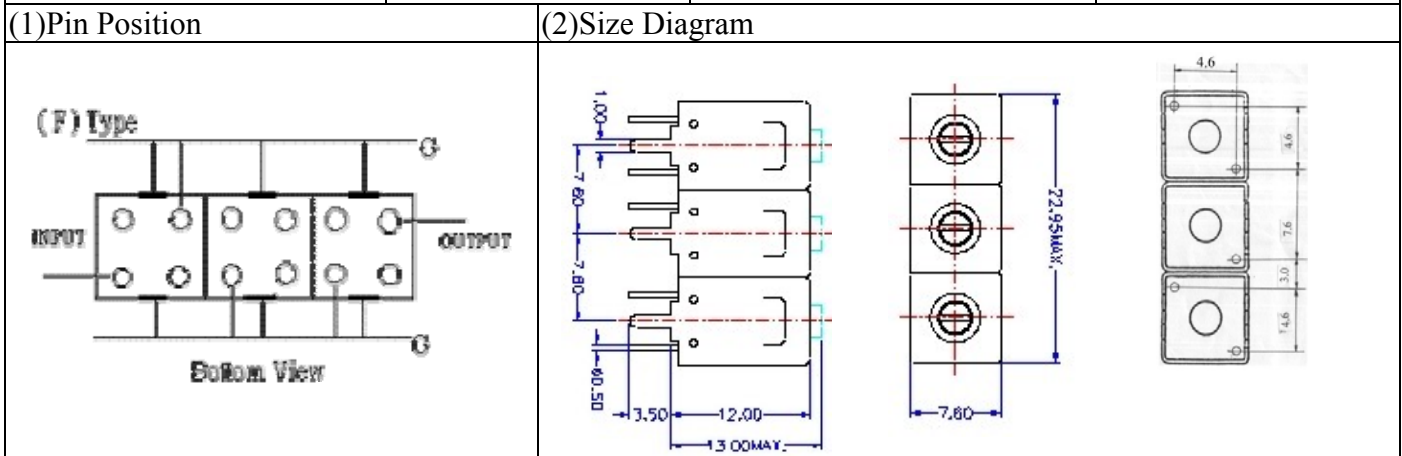


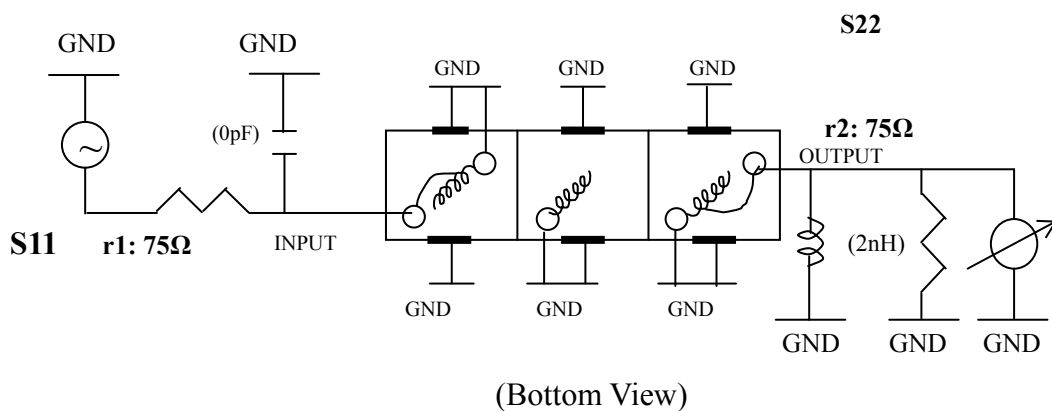
VHF UHF Helical Filter Specification Sheet

Customer Name		Temwell's Part No.	TTL6364F-747.25M
Approval No. /dated	0611092APR	Acceptable Specify Fo Range	701~750 MHz
Work Instruction No.	0611092DC	Date	Dec.06.2006



(3) Electric Characteristic			
Item		Specify	Performance
Center Freq.(Fo) +/- 0.5 %		747.25 MHz	747.25 MHz
Tunable Range		747.25±5 MHz	747.25±5 MHz
Insertion Loss		Typ. 6.0 dB	4.38 dB
-3 dB Bandwidth		Typ. 6 MHz	10.9 MHz
Sensitivity (Attenuation)	Fo - 20 MHz	Typ. 29 dB	32 dB
	Fo + 20 MHz	Typ. 23 dB	26 dB
	Fo - ()MHz	Typ. dB	dB
	Fo +()MHz	Typ. dB	dB
Return Loss		Min. 12 dB	24.5 dB
Ripple		< 1 dB	dB
Impedance		In / Out : 75 Ω	In / Out : 75 Ω
(4) Torque for Tuning Screw		> 60gf · cm	
(5) Temperature Condition:			
Operating Temperature		0°C ~ +60°C	
Storage Temperature		-20°C ~ +70°C	
(6) Input Power		> 1Watt	

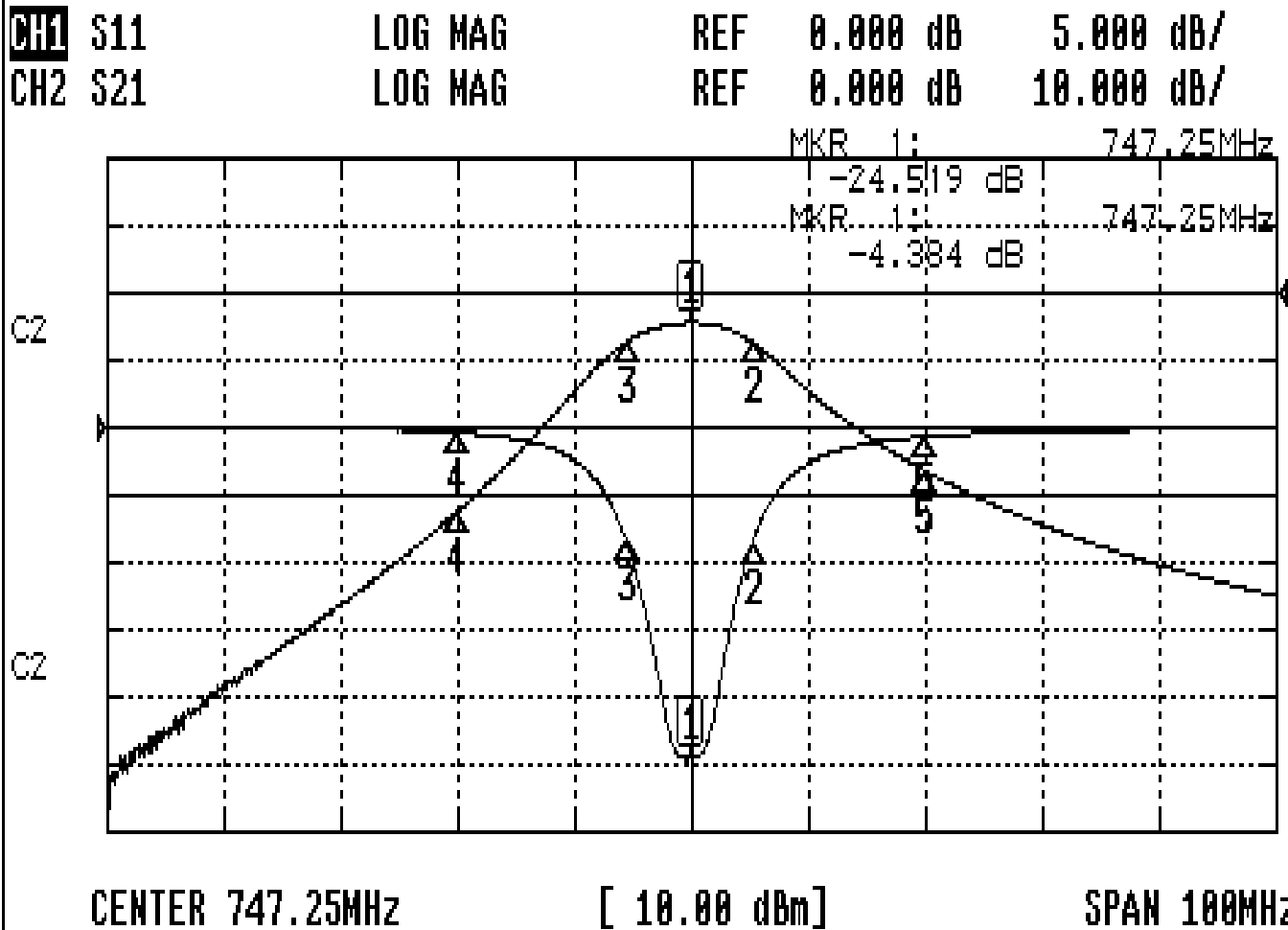
(7) Measuring Circuit: ※Easy to match Impedance S11/S22 75Ω by parallel with about(0pF)/(2nH).



Approval	Supervisor	Designer	Aperture size
C.Y.Chang	C.S.Chang	P.H.Chiang	7H3(4*4.65)F 7H046LB4 聚 3 / 046RB4
TEMWELL CORPORATION			

Performance-TTL6364F-747.25M

0611092DC



CH1 MARKER LIST

1:	747.250MHz	-24.519	dB
2:	752.500MHz	-8.556	dB
3:	741.666MHz	-8.258	dB
4:	727.250MHz	-0.340	dB
5:	767.250MHz	-0.648	dB

CH2 MARKER LIST

1:	747.250MHz	-4.384	dB
2:	752.500MHz	-7.338	dB
3:	741.666MHz	-7.337	dB
4:	727.250MHz	-32.550	dB
5:	767.250MHz	-26.370	dB