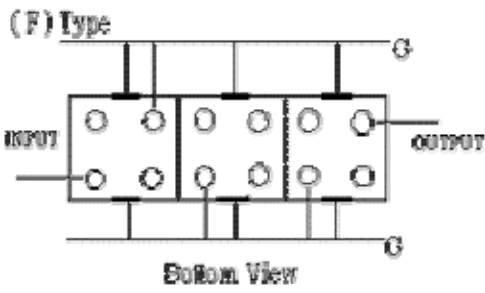
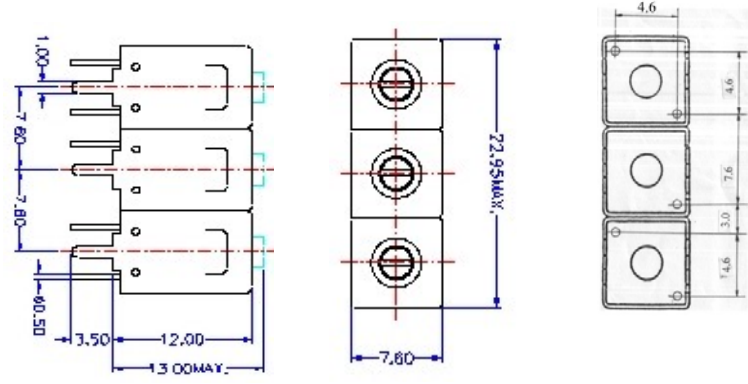


VHF UHF Helical Filter Specification Sheet

Customer Name		Temwell's Part No.	TTL6362F-735.25M
Approval No. /dated	0611090APR	Acceptable Specify Fo Range	701~750 MHz
Work Instruction No.	0611090DC	Date	Dec.06.2006

<p>(1) Pin Position</p> 	<p>(2) Size Diagram</p> 
---	--

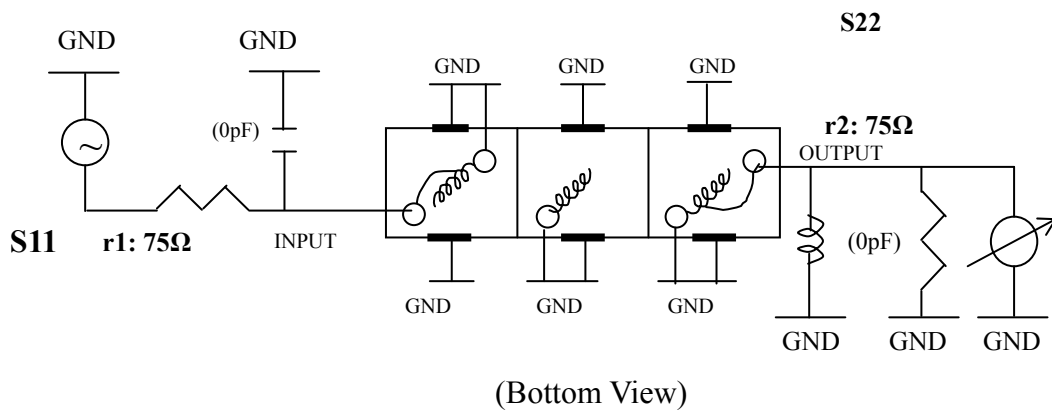
(3) Electric Characteristic			
Item	Specify	Performance	
Center Freq.(Fo) +/- 0.5 %	735.25 MHz	735.25 MHz	
Tunable Range	735.25±5 MHz	735.25±5 MHz	
Insertion Loss	Typ. 5.5 dB	4.39 dB	
-3 dB Bandwidth	Typ. 6 MHz	10.5 MHz	
Sensitivity (Attenuation)	Fo - 20 MHz	Typ. 31 dB	34 dB
	Fo + 20 MHz	Typ. 25 dB	28 dB
	Fo - ()MHz	Typ. dB	dB
	Fo +()MHz	Typ. dB	dB
Return Loss	Min. 12 dB	20.2 dB	
Ripple	< 1 dB	dB	
Impedance	In / Out : 75 Ω	In / Out : 75 Ω	

(4) Torque for Tuning Screw > 60gf · cm

(5) Temperature Condition:	
Operating Temperature	0°C ~ +60°C
Storage Temperature	-20°C ~ +70°C

(6) Input Power > 1Watt

(7) Measuring Circuit: ※Easy to match Impedance S11/S22 75Ω by parallel with about(0pF)/(0pF).



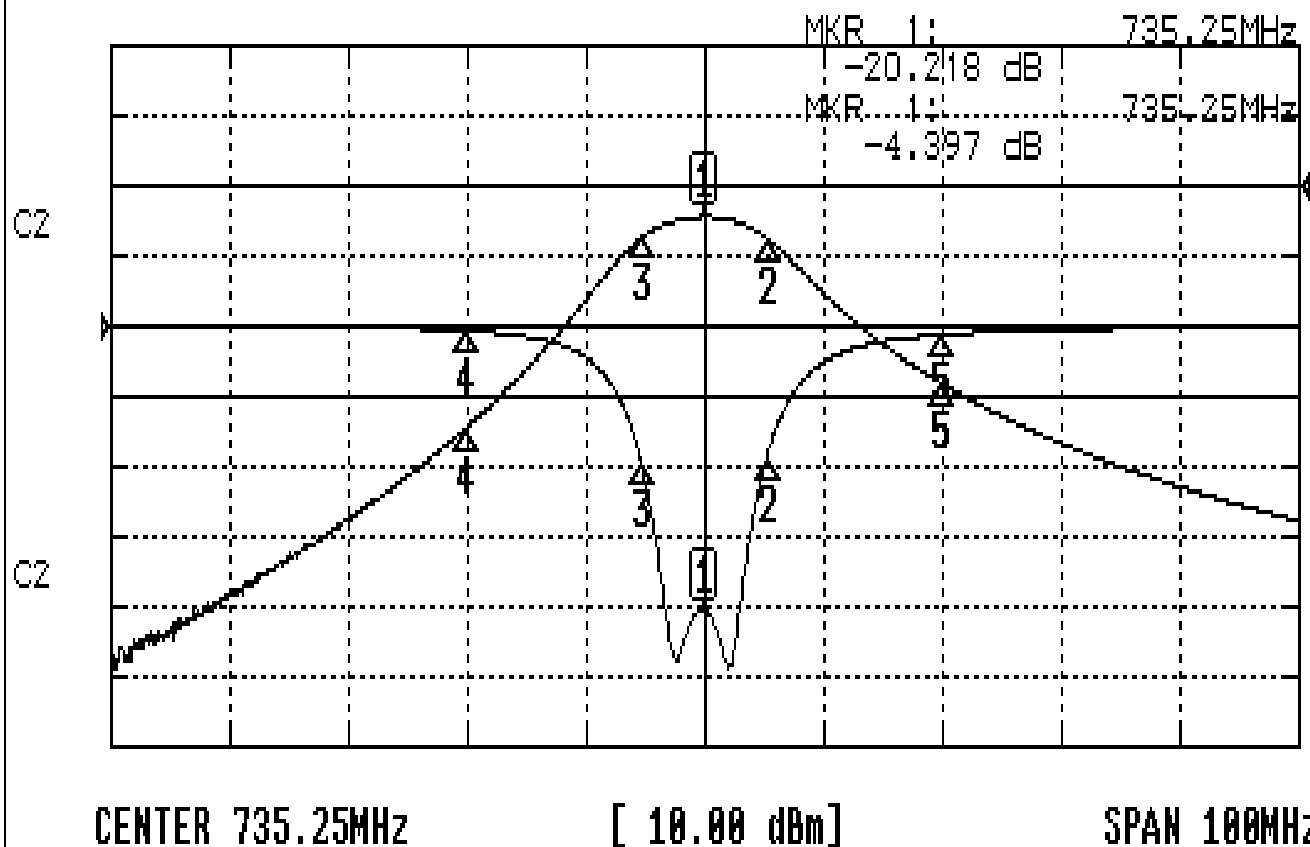
Approval	Supervisor	Designer	Aperture size
C.Y.Chang	C.S.Chang	P.H.Chiang	7H3(4*4.5)F 7H046LB4 聚 3 / 046RB4

TEMWELL CORPORATION

Performance-TTL6362F-735.25M

0611090DC

CH1 S11 LOG MAG REF 0.000 dB 5.000 dB/
CH2 S21 LOG MAG REF 0.000 dB 10.000 dB/



CH1 MARKER LIST

1:	735.250MHz	-20.218	dB
2:	740.500MHz	-19.382	dB
3:	730.000MHz	-19.850	dB
4:	715.250MHz	-10.285	dB
5:	755.250MHz	-0.584	dB

CH2 MARKER LIST

1:	735.250MHz	-4.397	dB
2:	740.500MHz	-7.373	dB
3:	730.000MHz	-7.337	dB
4:	715.250MHz	-34.469	dB
5:	755.250MHz	-28.159	dB