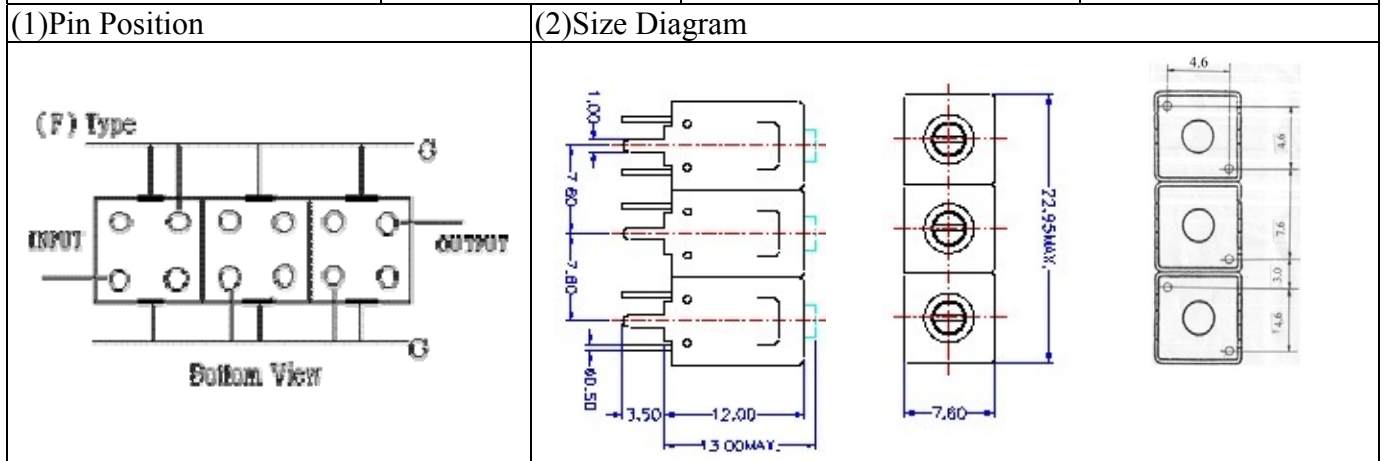
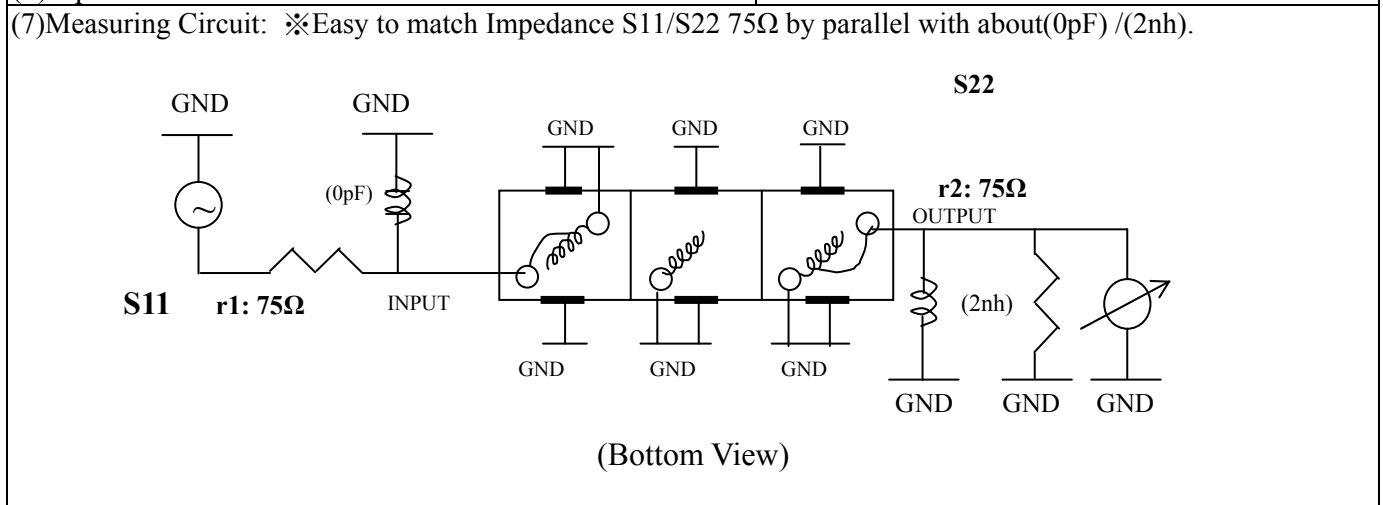


VHF UHF Helical Filter Specification Sheet

Customer Name		Temwell's Part No.	TTL6361F-729.25M
Approval No. /dated	0611089APR	Acceptable Specify Fo Range	701~750 MHZ
Work Instruction No.	0611089DC	Date	Dec.04.2006



(3) Electric Charasteric			
Item	Specify	Performance	
Center Freq.(Fo) +/- 0.5 %	729.25 MHz	729.25 MHz	
Tunable Range	729.25±5 MHz	729.25±5 MHz	
Insertion Loss	Typ. 6.0 dB	5.09 dB	
-3 dB Bandwidth	Typ. 6 MHz	9.9 MHz	
Sensitivity (Attenuation)	Fo - 20 MHz	Typ. 30 dB	34 dB
	Fo + 20 MHz	Typ. 24 dB	27 dB
	Fo - ()MHz	Typ. dB	dB
	Fo +()MHz	Typ. dB	dB
Return Loss	Min. 12 dB	24.2 dB	
Ripple	< 1 dB	dB	
Impedance	In / Out : 75 Ω	In / Out : 75 Ω	
(4) Torque for Tuning Screw		> 60gf • cm	
(5) Temperature Condition:			
Operating Temperature		0°C ~ +60°C	
Storage Temperature		-20°C ~ +70°C	
(6) Input Power		> 1Watt	



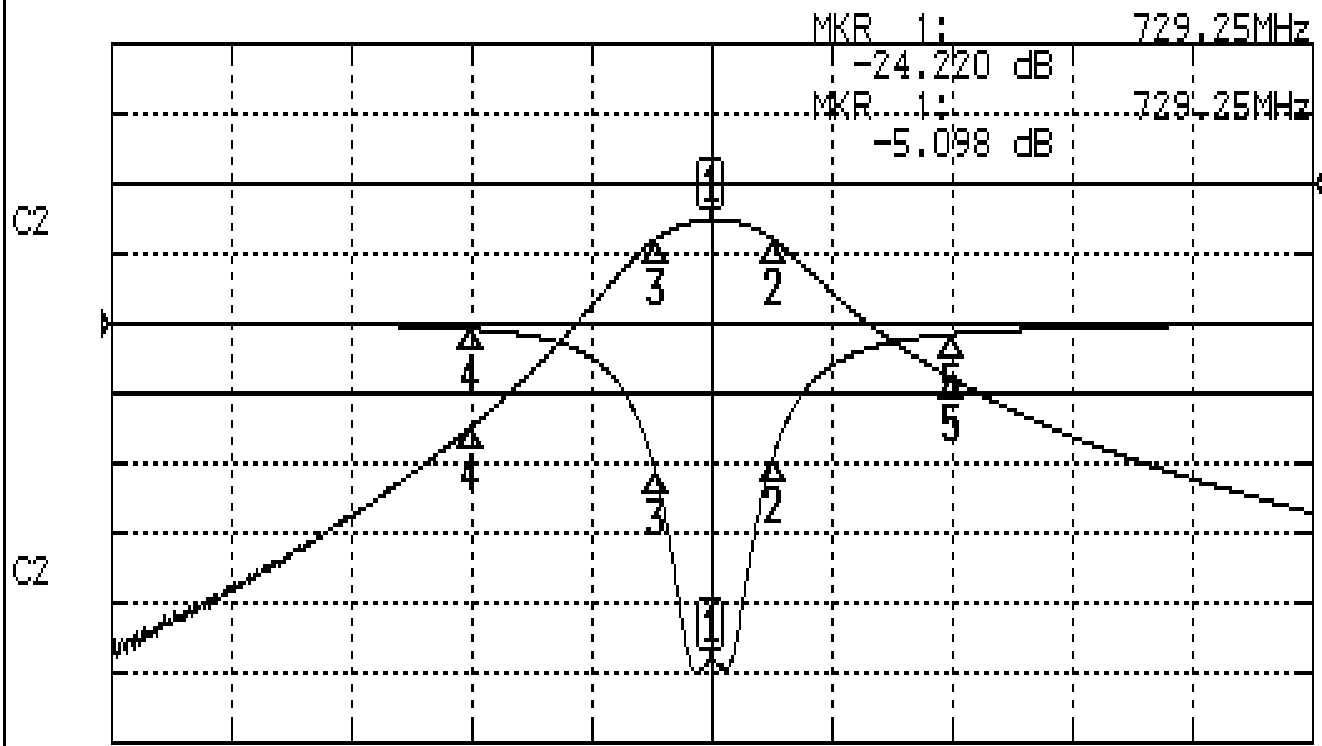
Approval	Supervisor	Designer	Aperture size
C.Y.Chang	C.S.Chang	P.H.Chiang	7H3(4*4.5)F 7H 046LB4 / RB4

TEMWELL CORPORATION

Performance-TTL6361F-729.25M

0611089DC

CH1 S11 LOG MAG REF 0.000 dB 5.000 dB/
CH2 S21 LOG MAG REF 0.000 dB 10.000 dB/



CENTER 729.25MHz

[10.00 dBm]

SPAN 100MHz

CH1 MARKER LIST

1:	729.250MHz	-24.220	dB
2:	734.416MHz	-19.971	dB
3:	724.583MHz	-10.505	dB
4:	709.250MHz	-0.685	dB
5:	749.250MHz	-0.764	dB

CH2 MARKER LIST

1:	729.250MHz	-5.098	dB
2:	734.416MHz	-0.004	dB
3:	724.583MHz	-0.042	dB
4:	709.250MHz	-4.033	dB
5:	749.250MHz	-7.845	dB