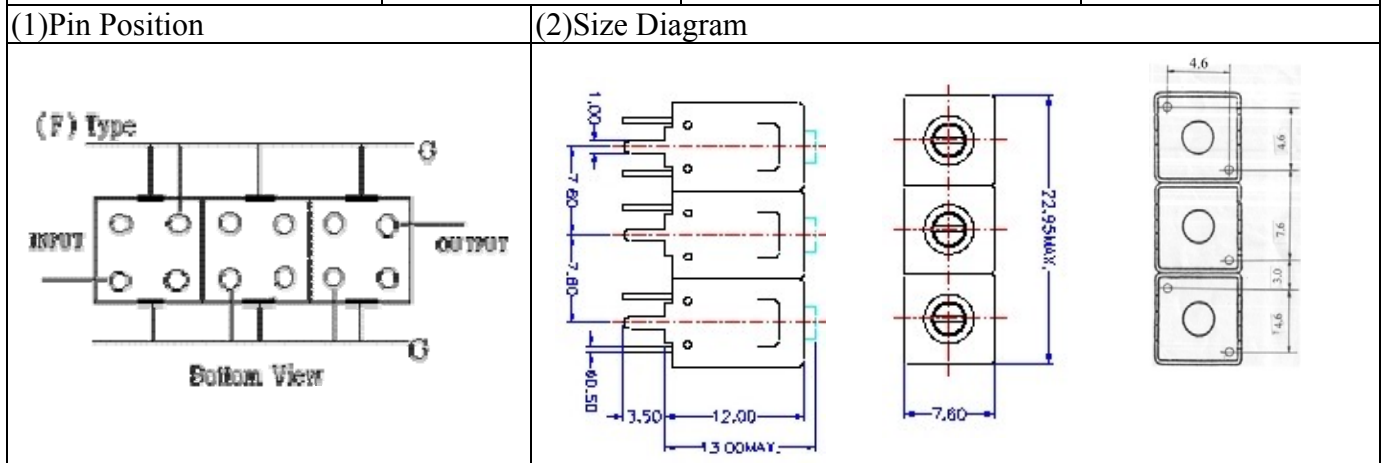


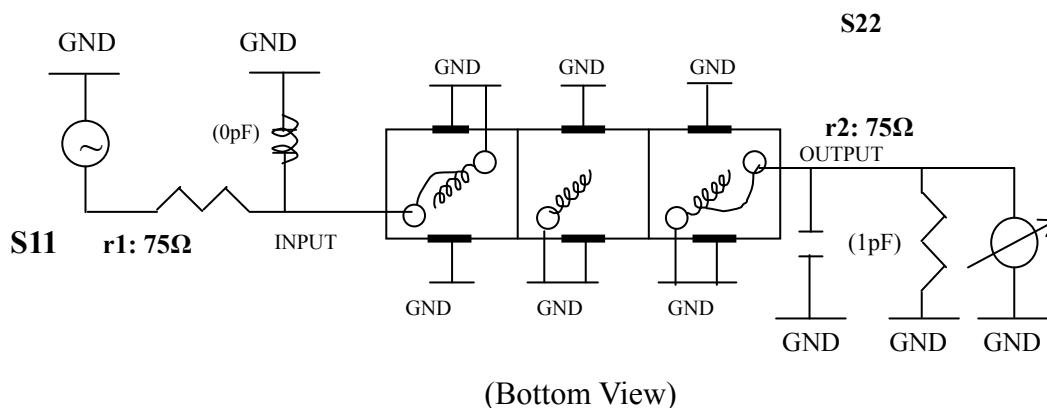
VHF UHF Helical Filter Specification Sheet

Customer Name		Temwell's Part No.	TTL6360F-723.25M
Approval No. /dated	0611088APR	Acceptable Specify Fo Range	701~750 MHZ
Work Instruction No.	0611088DC	Date	Nov.24.2006



(3) Electric Character			
Item		Specify	Performance
Center Freq.(Fo) +/- 0.5 %		723.25 MHz	723.25 MHz
Tunable Range		723.25±5 MHz	723.25±5 MHz
Insertion Loss		Typ. 6.0 dB	5.07 dB
-3 dB Bandwidth		Typ. 6 MHz	9.6 MHz
Sensitivity (Attenuation)	Fo - 15 MHz	Typ. 28 dB	31 dB
	Fo + 15 MHz	Typ. 23 dB	26 dB
	Fo - ()MHz	Typ. dB	dB
	Fo + ()MHz	Typ. dB	dB
Return Loss		Min. 12 dB	25.3 dB
Ripple		< 1 dB	dB
Impedance		In / Out : 75 Ω	In / Out : 75 Ω
(4) Torque for Tuning Screw		> 60gf · cm	
(5) Temperature Condition:			
Operating Temperature		0°C ~ +60°C	
Storage Temperature		-20°C ~ +70°C	
(6) Input Power		> 1Watt	

(7) Measuring Circuit: ※Easy to match Impedance S11/S22 75Ω by parallel with about(0pF)/(1pF).



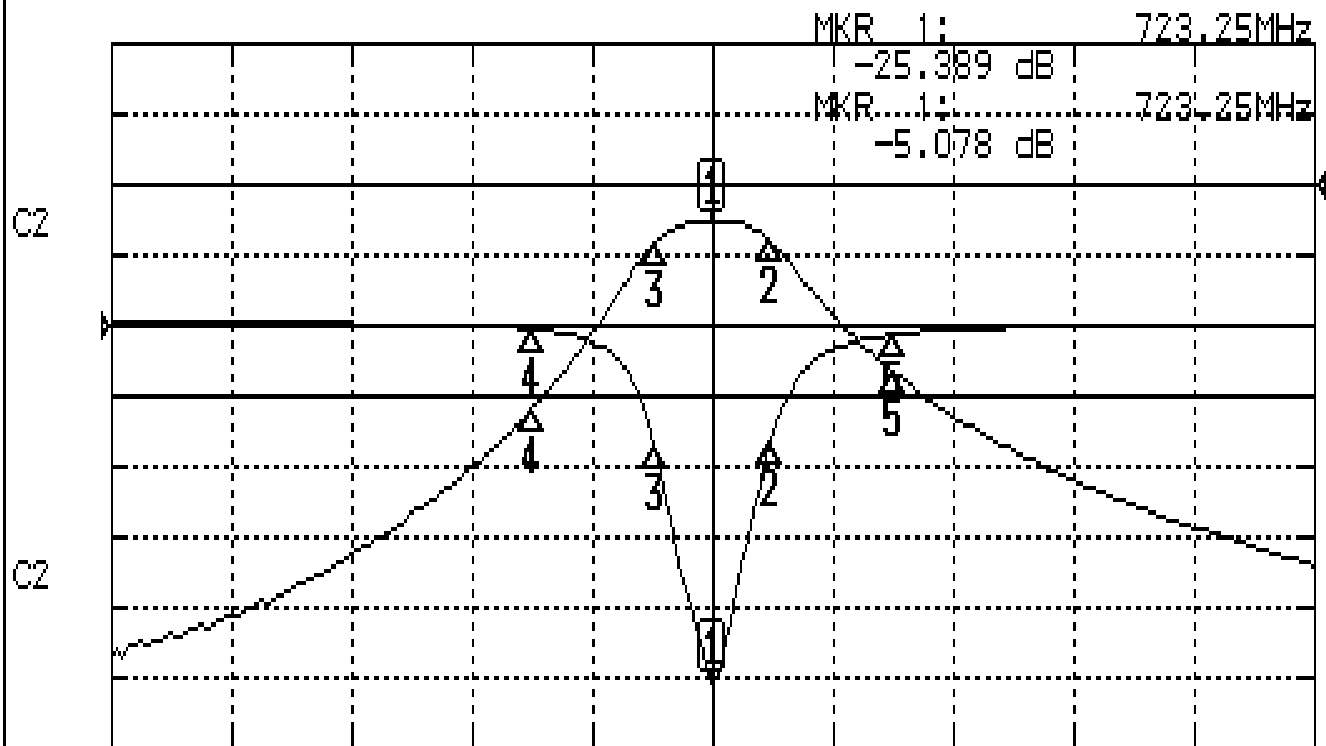
Approval	Supervisor	Designer	Aperture size
C.Y.Chang	C.S.Chang	W.W.Wang	7H3(4*4.65)F 7H046LB4 聚 3

TEMWELL CORPORATION

Performance-TTL6360F-723.25M

0611088DC

CH1 S11 LOG MAG REF 0.000 dB 5.000 dB/
CH2 S21 LOG MAG REF 0.000 dB 10.000 dB/



CENTER 723.25MHz

[10.00 dBm]

SPAN 100MHz

CH1 MARKER LIST

1:	723.250MHz	-25.389 dB
2:	728.166MHz	-8.124 dB
3:	718.500MHz	-8.611 dB
4:	708.250MHz	-0.247 dB
5:	738.250MHz	-0.625 dB

CH2 MARKER LIST

1:	723.250MHz	-5.078 dB
2:	728.166MHz	-0.058 dB
3:	718.500MHz	-0.189 dB
4:	708.250MHz	-1.860 dB
5:	738.250MHz	-26.476 dB