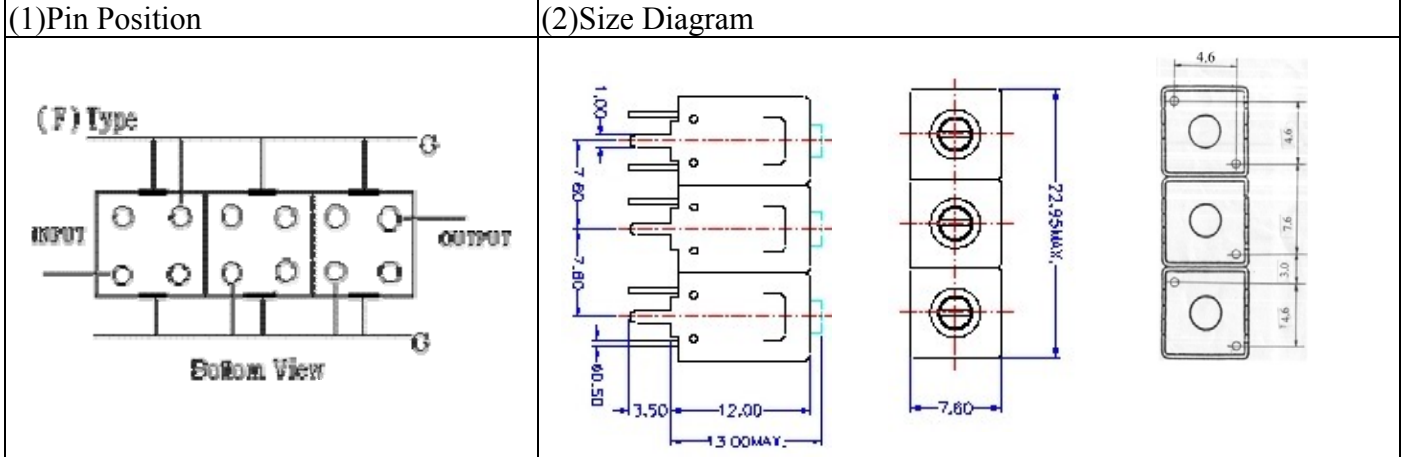


VHF UHF Helical Filter Specification Sheet

Customer Name		Temwell's Part No.	TTL6357F-705.25M
Approval No. /dated	0611085APR	Acceptable Specify Fo Range	701~750 MHz
Work Instruction No.	0611085DC	Date	Dec.06.2006



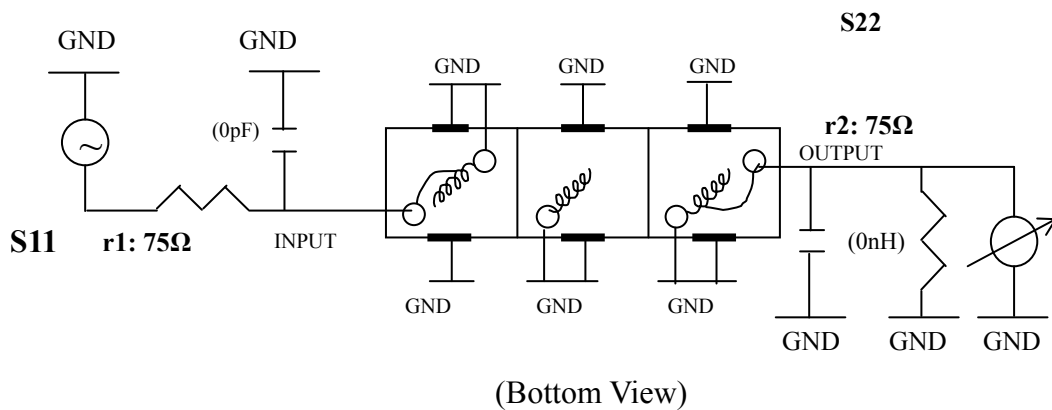
(3) Electric Characteristic			
Item		Specify	Performance
Center Freq.(Fo) +/- 0.5 %		705.25 MHz	705.25 MHz
Tunable Range		705.25±5 MHz	705.25±5 MHz
Insertion Loss		Typ. 5.5 dB	4.26 dB
-3 dB Bandwidth		Typ. 6 MHz	11.0 MHz
Sensitivity (Attenuation)	Fo - 20 MHz	Typ. 31 dB	34 dB
	Fo + 20 MHz	Typ. 25 dB	28 dB
	Fo - ()MHz	Typ. dB	dB
	Fo + ()MHz	Typ. dB	dB
Return Loss		Min. 12 dB	29 dB
Ripple		< 1 dB	dB
Impedance		In / Out : 75 Ω	In / Out : 75 Ω

(4) Torque for Tuning Screw > 60gf • cm

(5) Temperature Condition:	
Operating Temperature	0°C ~ +60°C
Storage Temperature	-20°C ~ +70°C

(6) Input Power > 1Watt

(7) Measuring Circuit: ※Easy to match Impedance S11/S22 75Ω by parallel with about(0pF)/(0pF).

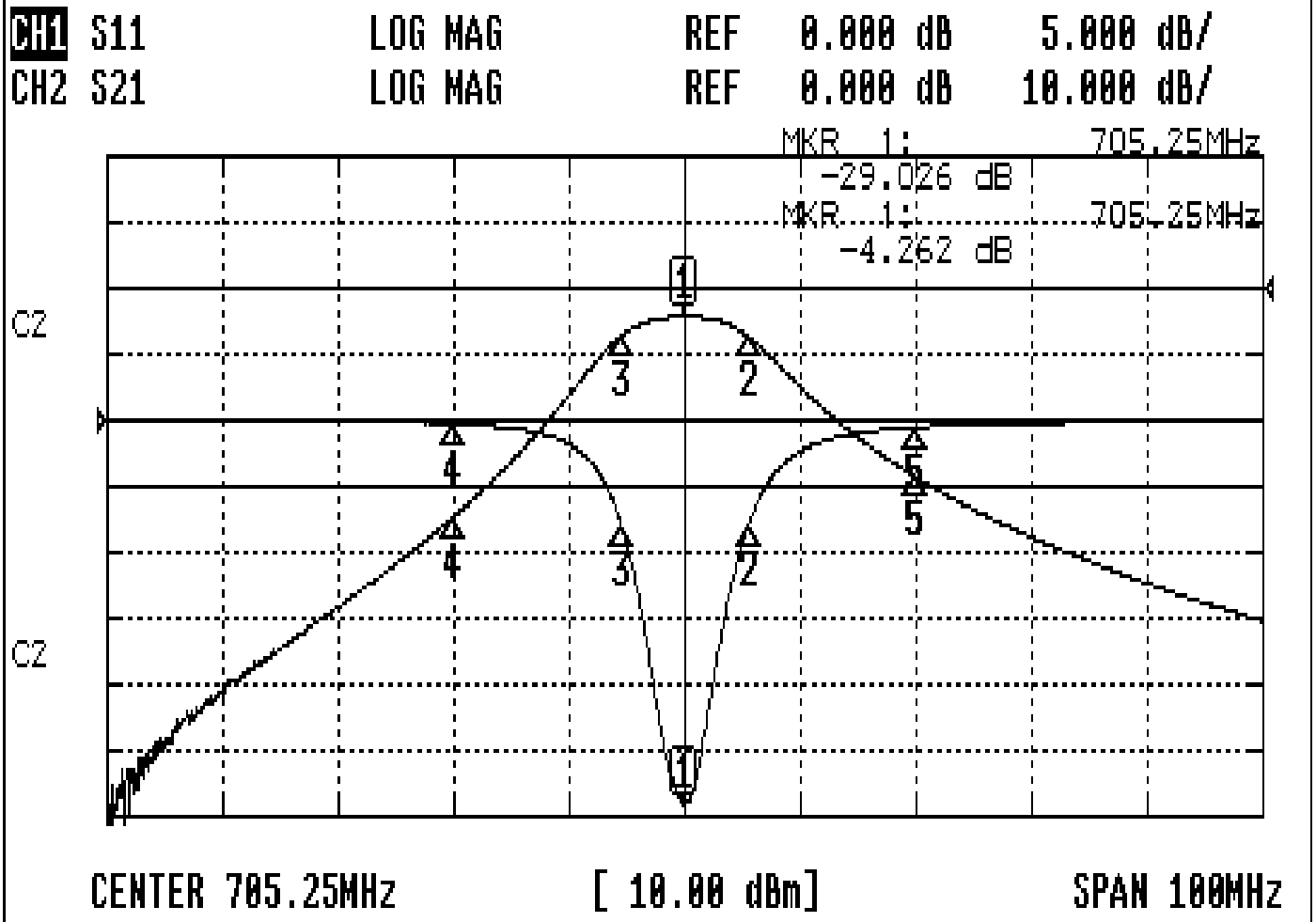


Approval	Supervisor	Designer	Aperture size
C.Y.Chang	C.S.Chang	P.H.Chiang	7H3(4*4.5)F 7H046RB4

TEMWELL CORPORATION

Performance-TTL6357F-705.25M

0611085DC



CH1 MARKER LIST

Marker	Frequency (MHz)	Magnitude (dB)
1	705.250MHz	-29.026 dB
2	710.833MHz	-7.940 dB
3	699.033MHz	-7.908 dB
4	685.250MHz	-0.227 dB
5	725.250MHz	-0.506 dB

CH2 MARKER LIST

Marker	Frequency (MHz)	Magnitude (dB)
1	705.250MHz	-4.262 dB
2	710.833MHz	-7.304 dB
3	699.033MHz	-7.220 dB
4	685.250MHz	-34.698 dB
5	725.250MHz	-28.488 dB