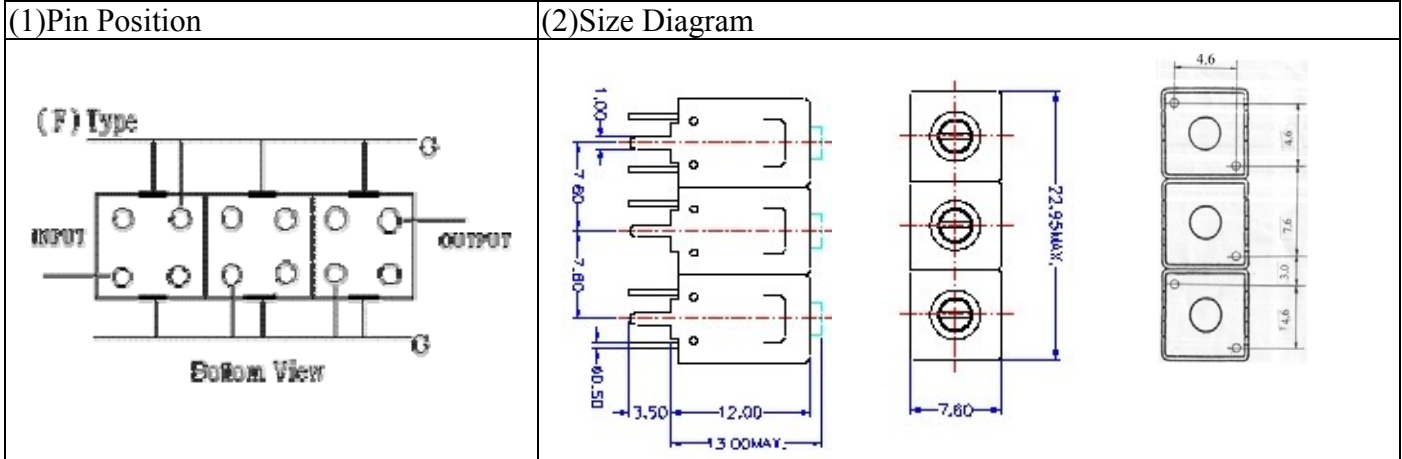


# VHF UHF Helical Filter Specification Sheet

Customer Name		Temwell's Part No.	TTL6356F-699.25M
Approval No. /dated	0611084APR	Acceptable Specify Fo Range	661~700 MHz
Work Instruction No.	0611084DC	Date	Dec06.2006



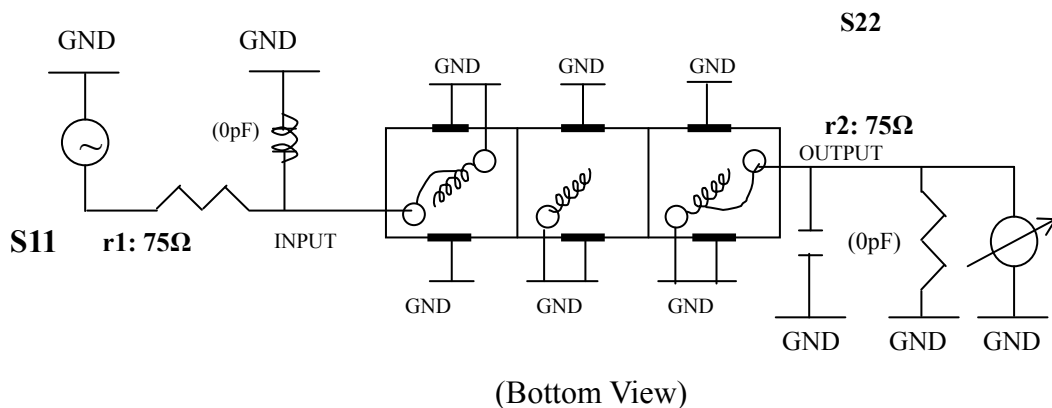
(3) Electric Character			
Item	Specify	Performance	
Center Freq.(Fo) +/- 0.5 %	699.25 MHz	699.25 MHz	
Tunable Range	699.25±5 MHz	699.25±5 MHz	
Insertion Loss	Typ. 5.5 dB	4.63 dB	
-3 dB Bandwidth	Typ. 6 MHz	11.5 MHz	
Sensitivity (Attenuation)	Fo - 20 MHz	Typ. 31 dB	34 dB
	Fo + 20 MHz	Typ. 26 dB	29 dB
	Fo - ( )MHz	Typ. dB	dB
	Fo +( )MHz	Typ. dB	dB
Return Loss	Min. 12 dB	27.1 dB	
Ripple	< 1 dB	dB	
Impedance	In / Out : 75 Ω	In / Out : 75 Ω	

(4) Torque for Tuning Screw > 60gf • cm

(5) Temperature Condition:	
Operating Temperature	0°C ~ +60°C
Storage Temperature	-20°C ~ +70°C

(6) Input Power > 1Watt

(7) Measuring Circuit: ※Easy to match Impedance S11/S22 75Ω by parallel with about(0pF)/(0pF).



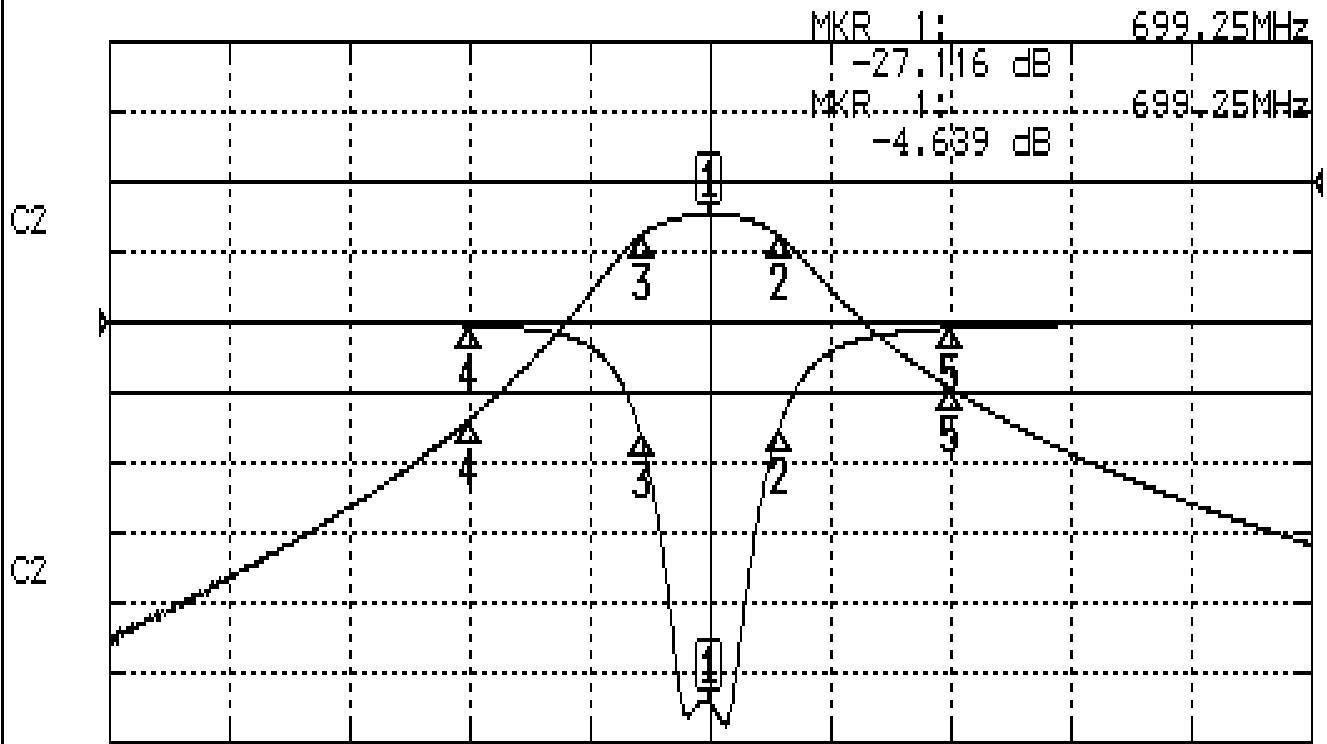
Approval	Supervisor	Designer	Aperture size
C.Y.Chang	C.S.Chang	P.H.Chiang	7H3(4*4.5)F 7H046RB4

TEMWELL CORPORATION

# Performance-TTL6356F-699.25M

## 0611084DC

CH1 S11 LOG MAG REF 0.000 dB 5.000 dB/  
CH2 S21 LOG MAG REF 0.000 dB 10.000 dB/



CENTER 699.25MHZ

[ 10.00 dBm ]

SPAN 100MHZ

### CH1 MARKER LIST

1	699.250MHz	-27.116	dB
2	705.000MHz	-7.738	dB
3	693.500MHz	-8.010	dB
4	679.250MHz	-0.164	dB
5	719.250MHz	-0.400	dB

### CH2 MARKER LIST

1	699.250MHz	-4.639	dB
2	705.000MHz	-7.649	dB
3	693.500MHz	-7.689	dB
4	679.250MHz	-34.004	dB
5	719.250MHz	-29.335	dB