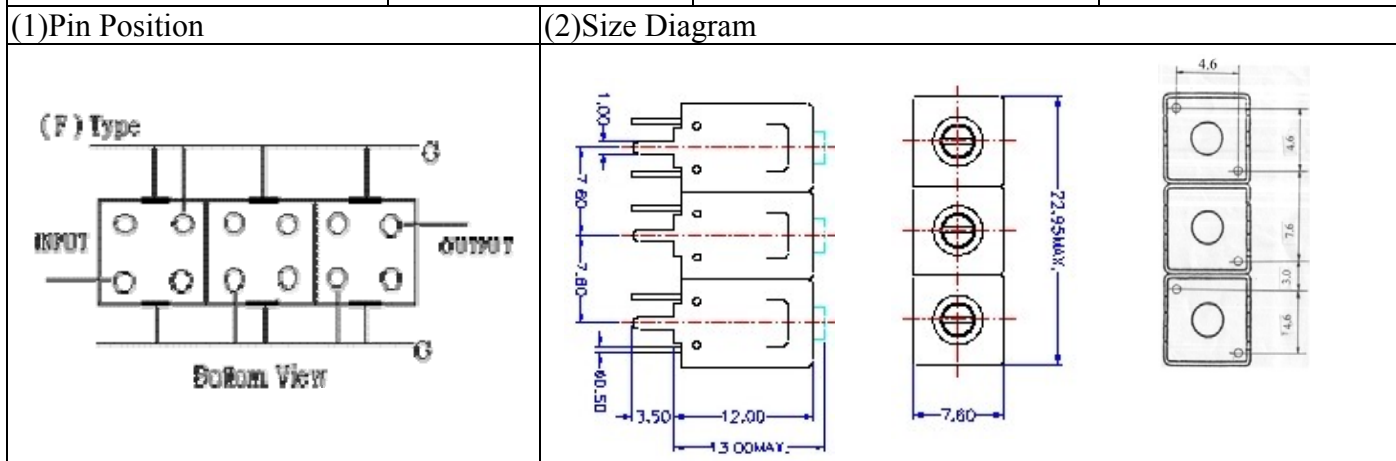


# VHF UHF Helical Filter Specification Sheet

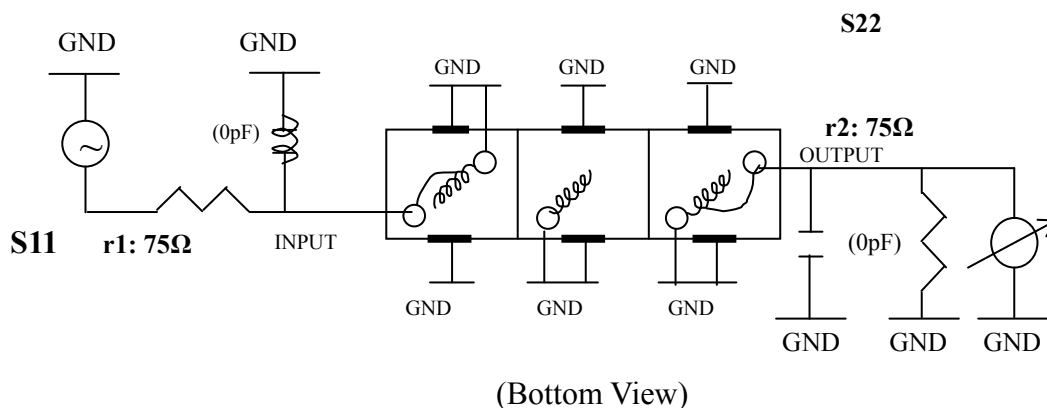
Customer Name		Temwell's Part No.	TTL6355F-693.25M
Approval No. /dated	0611083APR	Acceptable Specify Fo Range	661~700 MHz
Work Instruction No.	0611083DC	Date	Dec.06.2006



(3) Electric Character

Item	Specify	Performance
Center Freq.(Fo ) +/- 0.5 %	693.25 MHz	693.25 MHz
Tunable Range	693.25±5 MHz	693.25±5 MHz
Insertion Loss	Typ. 5.5 dB	4.87 dB
-3 dB Bandwidth	Typ. 6 MHz	11.3 MHz
Sensitivity (Attenuation)	Fo - 20 MHz	Typ. 32 dB
	Fo + 20 MHz	Typ. 27 dB
	Fo - ( )MHz	Typ. dB
	Fo +( )MHz	Typ. dB
Return Loss	Min. 12 dB	23.5 dB
Ripple	< 1 dB	dB
Impedance	In / Out : 75 Ω	In / Out : 75 Ω
(4) Torque for Tuning Screw	> 60gf • cm	
(5) Temperature Condition:		
Operating Temperature	0°C ~ +60°C	
Storage Temperature	-20°C ~ +70°C	
(6) Input Power	> 1 Watt	

(7) Measuring Circuit: ※Easy to match Impedance S11/S22 75Ω by parallel with about(0pF)/(0pF).



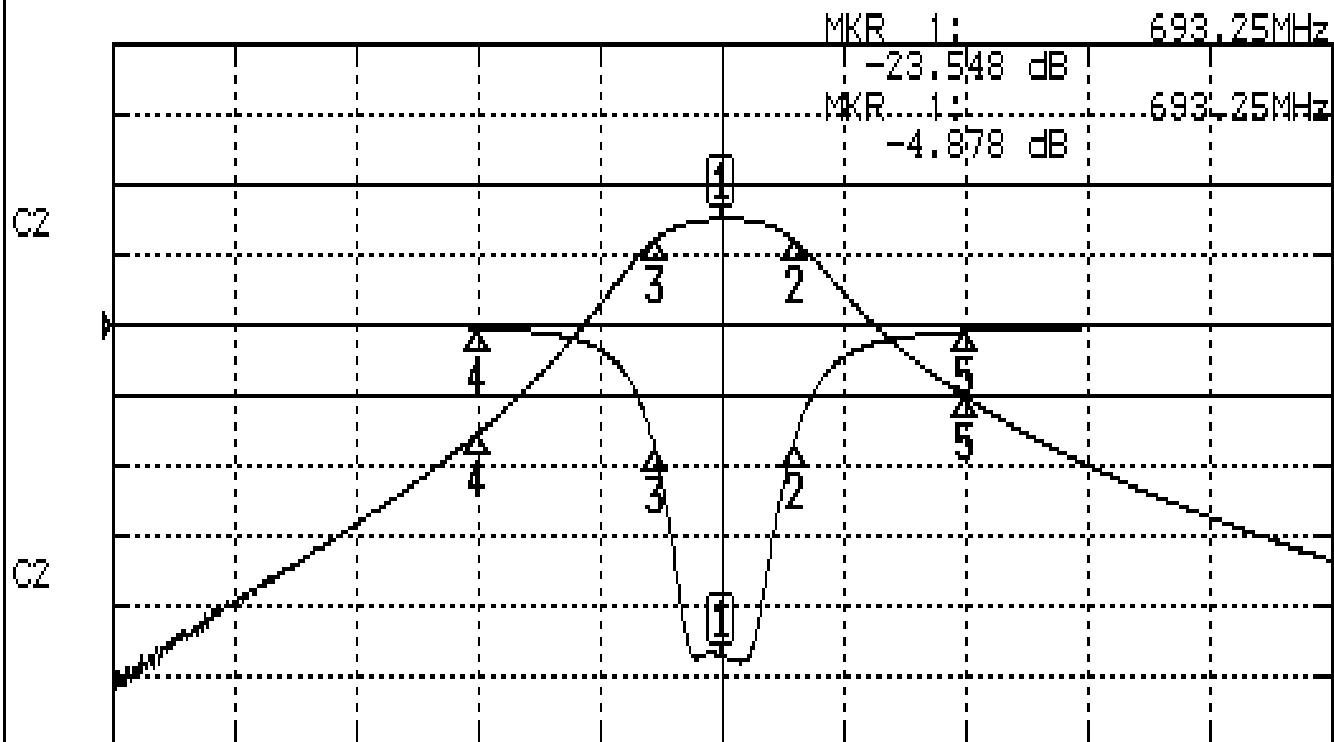
Approval	Supervisor	Designer	Aperture size
C.Y.Chang	C.S.Chang	P.H.Chiang	7H3(4*4.5)F 7H046RB4

TEMWELL CORPORATION

# Performance-TTL6355F-693.25M

## 0611083DC

CH1 S11 LOG MAG REF 0.000 dB 5.000 dB/  
CH2 S21 LOG MAG REF 0.000 dB 10.000 dB/



CENTER 693.25MHz

[ 10.00 dBm ]

SPAN 100MHz

### CH1 MARKER LIST

Marker	Frequency (MHz)	Magnitude (dB)
1	693.250	-23.548
2	699.166	-0.473
3	687.833	-0.946
4	670.250	-0.176
5	713.250	-0.419

### CH2 MARKER LIST

Marker	Frequency (MHz)	Magnitude (dB)
1	693.250	-4.878
2	699.166	-7.837
3	687.833	-7.873
4	670.250	-35.524
5	713.250	-30.213