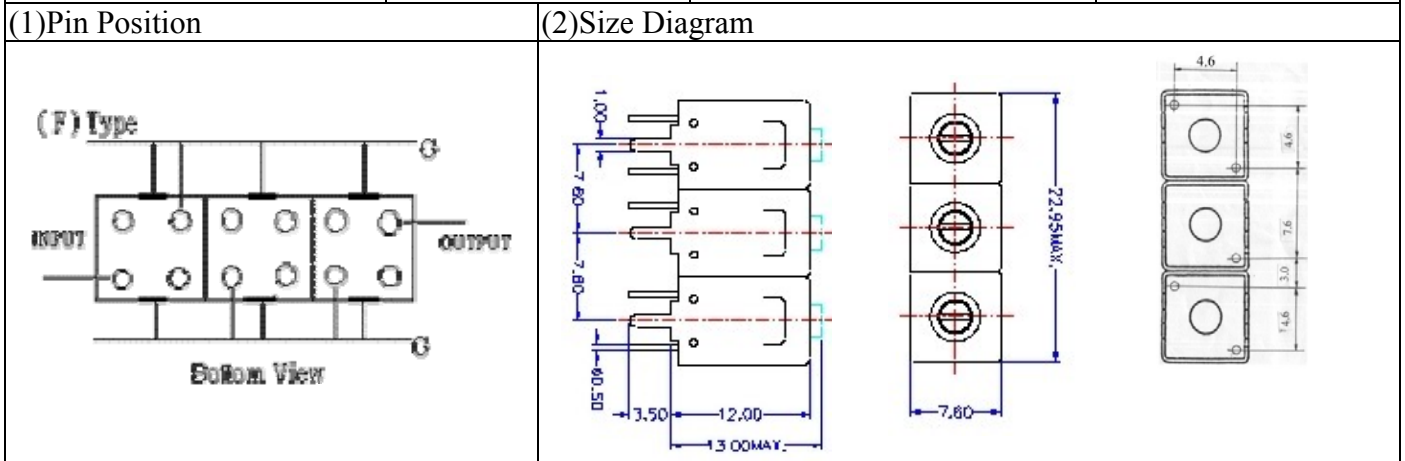


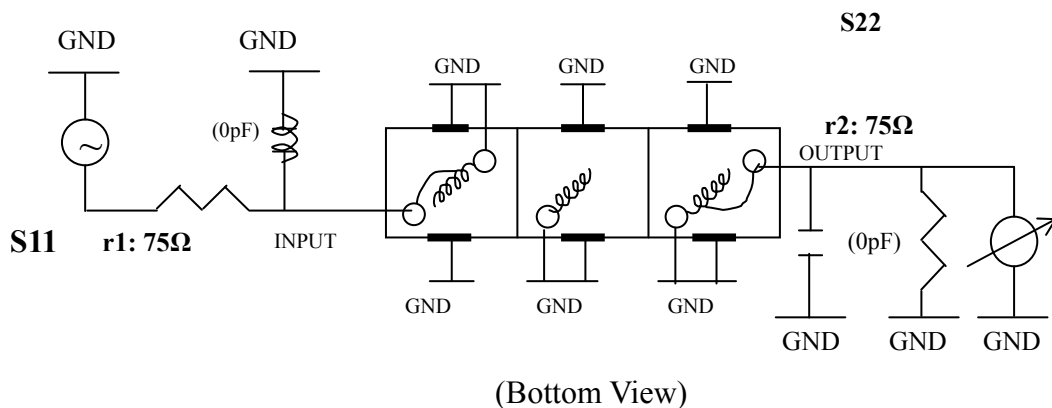
VHF UHF Helical Filter Specification Sheet

Customer Name		Temwell's Part No.	TTL6351F-669.25M
Approval No. /dated	0611079APR	Acceptable Specify Fo Range	661~700 MHz
Work Instruction No.	0611079DC	Date	Dec.06.2006



(3) Electric Characteristic		Item	Specify	Performance
Center Freq.(Fo) +/- 0.5 %			669.25 MHz	669.25 MHz
Tunable Range			669.25±5 MHz	669.25±5 MHz
Insertion Loss			Typ. 5.5 dB	4.23 dB
-3 dB Bandwidth			Typ. 6 MHz	11 MHz
Sensitivity (Attenuation)	Fo - 15 MHz	Typ. 24 dB		27 dB
	Fo + 15 MHz	Typ. 22 dB		25 dB
	Fo - ()MHz	Typ. dB		dB
	Fo + ()MHz	Typ. dB		dB
Return Loss		Min. 12 dB		20.9 dB
Ripple		< 1 dB		dB
Impedance		In / Out : 75 Ω		In / Out : 75 Ω
(4) Torque for Tuning Screw			> 60gf · cm	
(5) Temperature Condition:				
Operating Temperature			0°C ~ +60°C	
Storage Temperature			-20°C ~ +70°C	
(6) Input Power			> 1Watt	

(7) Measuring Circuit: ※Easy to match Impedance S11/S22 75Ω by parallel with about(0pF)/(0pF).

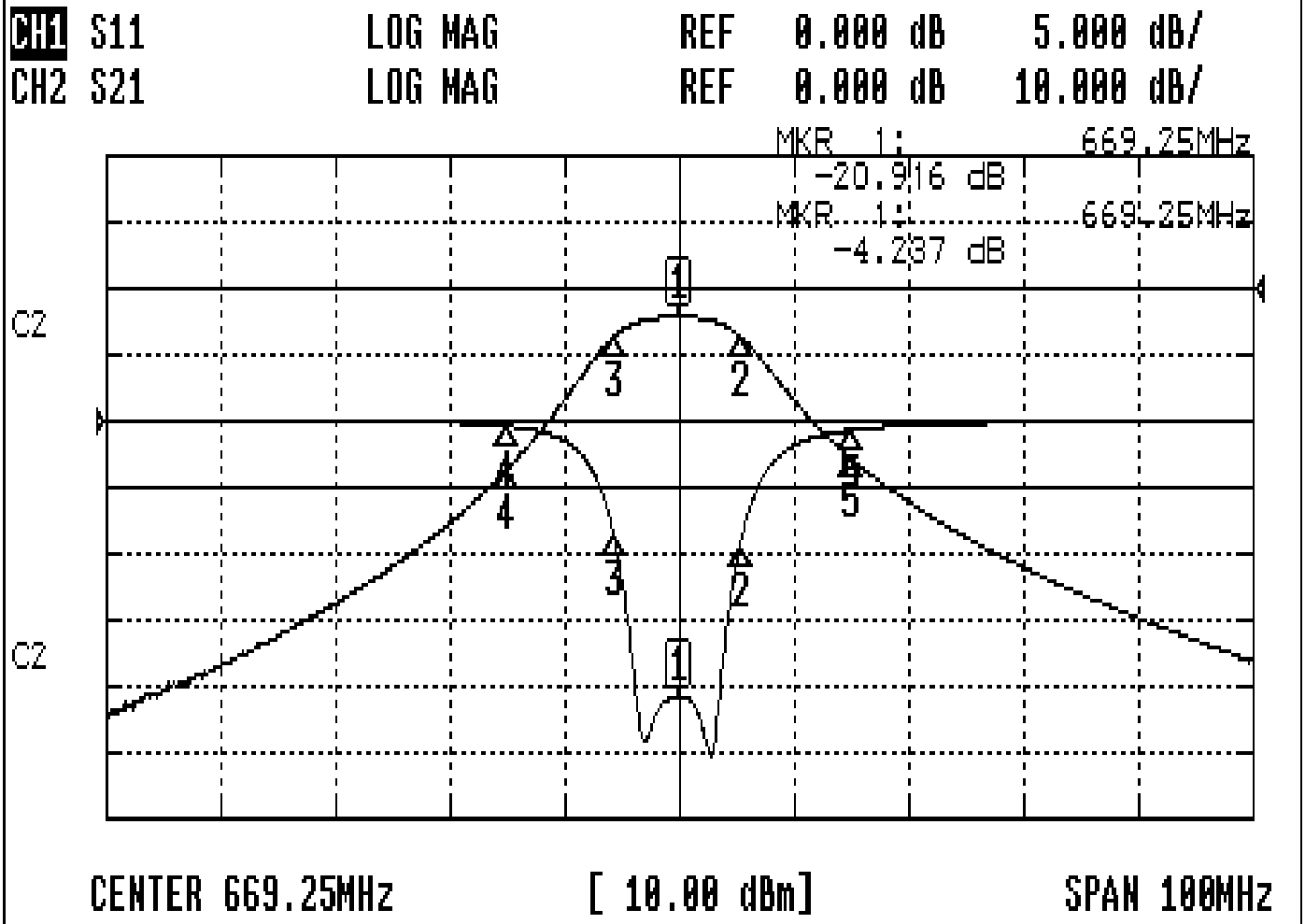


Approval	Supervisor	Designer	Aperture size
C.Y.Chang	C.S.Chang	P.H.Chiang	7H3(4*4.5)F 7H046RB4

TEMWELL CORPORATION

Performance-TTL6351F-669.25M

0611079DC



CH1 MARKER LIST

1:	669.250MHz	-20.916 dB
2:	674.250MHz	-9.483 dB
3:	663.250MHz	-7.250 dB
4:	654.250MHz	-27.301 dB
5:	684.250MHz	-25.562 dB

CH2 MARKER LIST

1:	669.250MHz	-4.237 dB
2:	674.250MHz	-7.134 dB
3:	663.250MHz	-7.250 dB
4:	654.250MHz	-27.301 dB
5:	684.250MHz	-25.562 dB