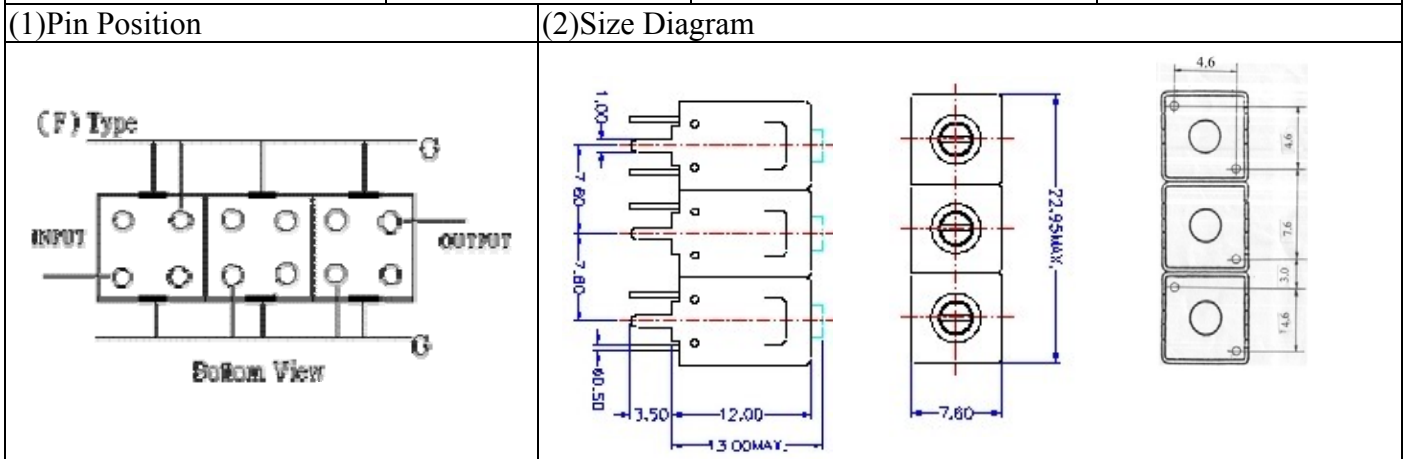


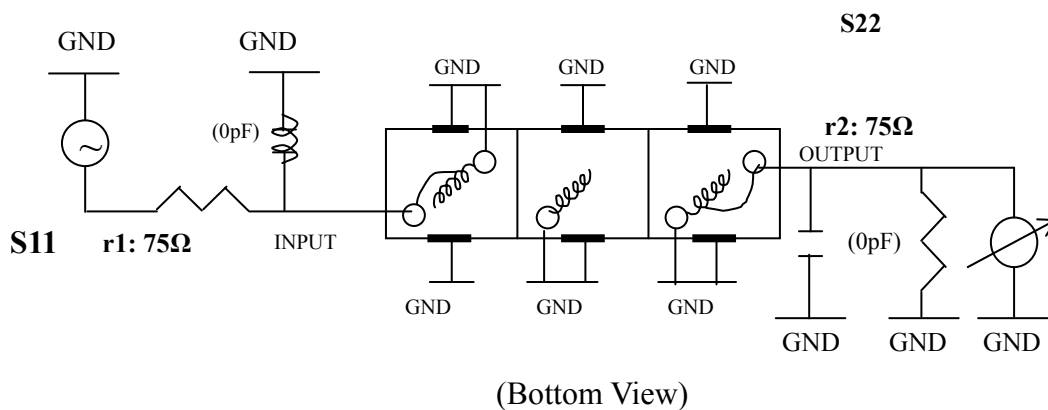
VHF UHF Helical Filter Specification Sheet

Customer Name		Temwell's Part No.	TTL6350F-663.25M
Approval No. /dated	0611078APR	Acceptable Specify Fo Range	661~700 MHz
Work Instruction No.	0611078DC	Date	Dec.06.2006



Item		Specify	Performance
Center Freq.(Fo) +/- 0.5 %		663.25 MHz	663.25 MHz
Tunable Range		663.25±5 MHz	663.25±5 MHz
Insertion Loss		Typ. 5.5 dB	4.58 dB
-3 dB Bandwidth		Typ. 6 MHz	10.3 MHz
Sensitivity (Attenuation)	Fo - 15 MHz	Typ. 24 dB	27 dB
	Fo + 15 MHz	Typ. 22 dB	25 dB
	Fo - ()MHz	Typ. dB	dB
	Fo +()MHz	Typ. dB	dB
Return Loss		Min. 12 dB	23.7 dB
Ripple		< 1 dB	dB
Impedance		In / Out : 75 Ω	In / Out : 75 Ω
(4) Torque for Tuning Screw		> 60gf · cm	
(5) Temperature Condition:			
Operating Temperature		0°C ~ +60°C	
Storage Temperature		-20°C ~ +70°C	
(6) Input Power		> 1Watt	

(7) Measuring Circuit: ※Easy to match Impedance S11/S22 75Ω by parallel with about(0pF) /(0pF).

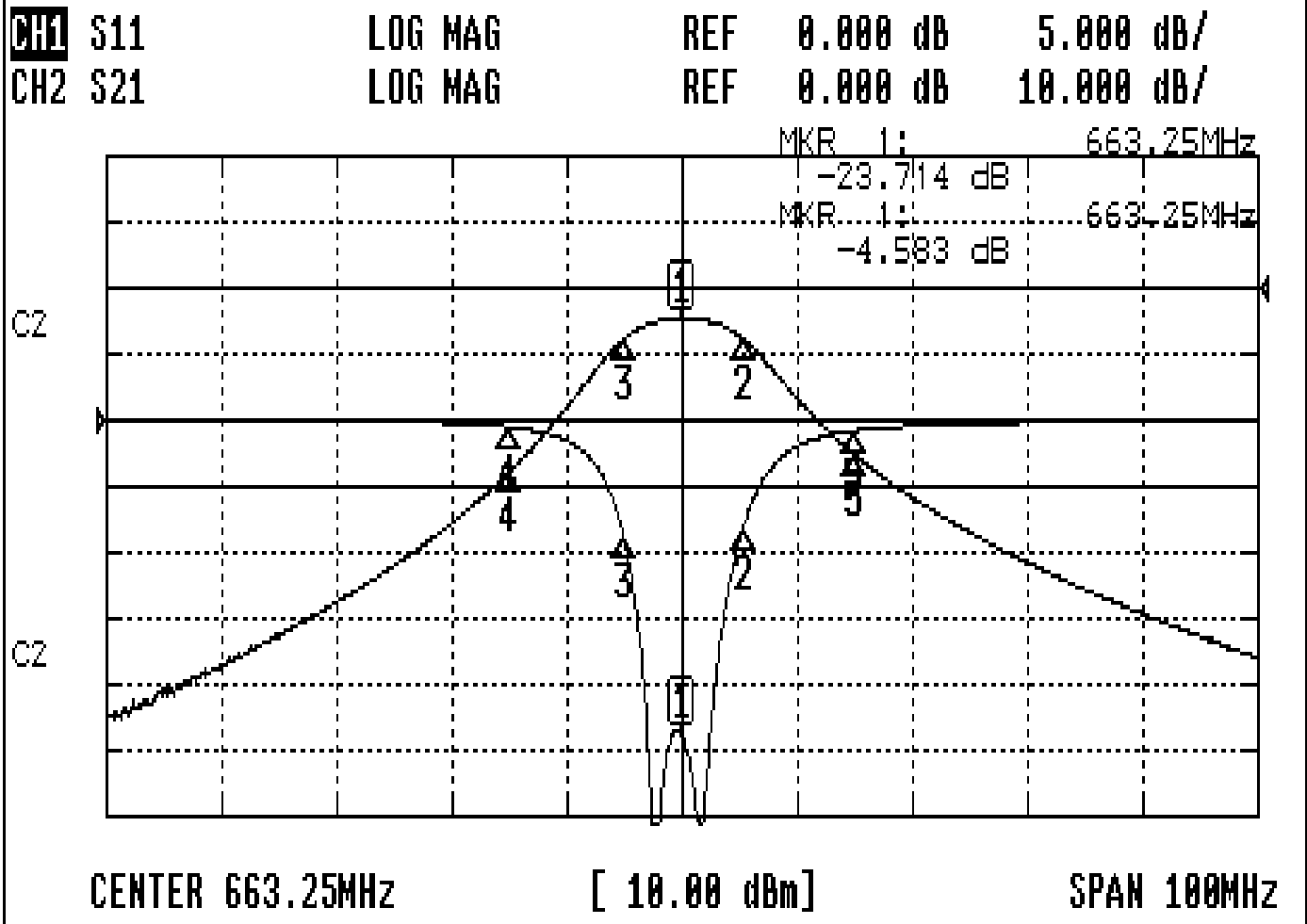


Approval	Supervisor	Designer	Aperture size
C.Y.Chang	C.S.Chang	P.H.Chiang	7H3(4*4.5)F 7H046RB4 / 046LB4

TEMWELL CORPORATION

Performance-TTL6350F-663.25M

0611078DC



CH1 MARKER LIST

Marker	Frequency (MHz)	Magnitude (dB)
1	663.2500	-23.714
2	660.0000	-1.000
3	650.0000	-1.000
4	640.0000	-1.000
5	670.0000	-1.000

CH2 MARKER LIST

Marker	Frequency (MHz)	Magnitude (dB)
1	663.2500	-4.583
2	660.0000	-7.602
3	650.0000	-7.646
4	640.0000	-27.882
5	670.0000	-25.150