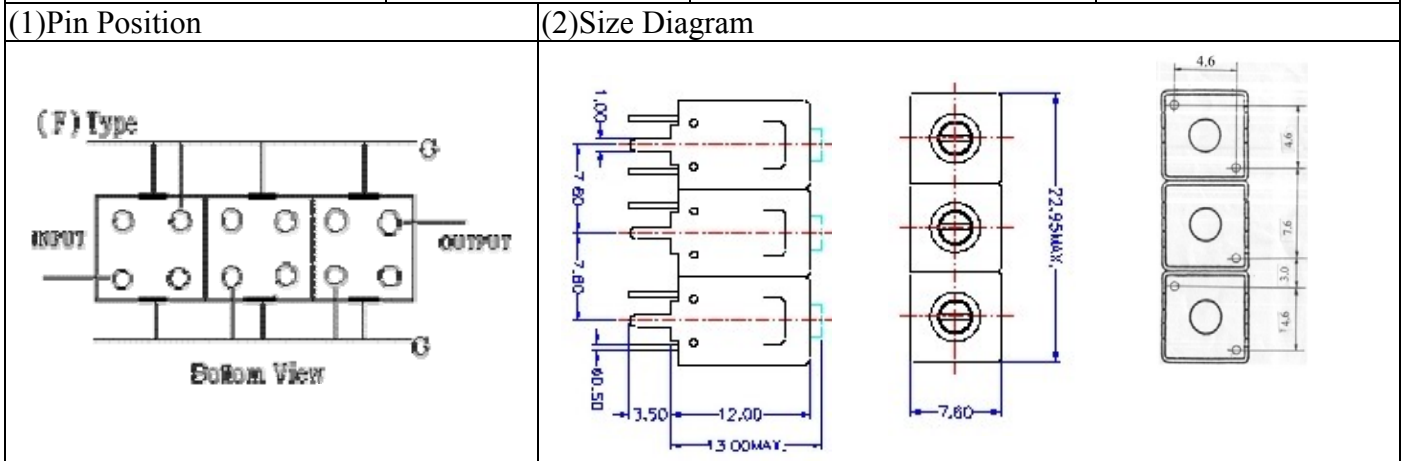


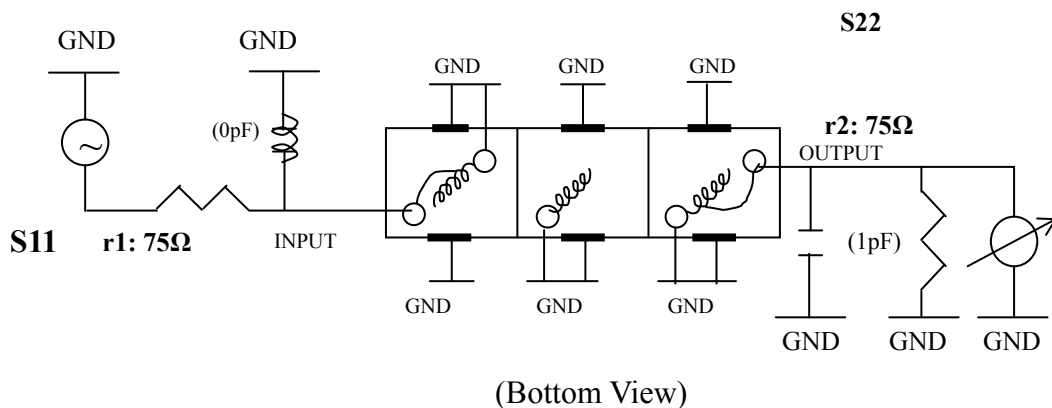
# VHF UHF Helical Filter Specification Sheet

|                      |            |                             |                  |
|----------------------|------------|-----------------------------|------------------|
| Customer Name        |            | Temwell's Part No.          | TTL6349F-657.25M |
| Approval No. /dated  | 0611077APR | Acceptable Specify Fo Range | 641~660 MHz      |
| Work Instruction No. | 0611077DC  | Date                        | Dec.06.2006      |



| Item                         |             | Specify         | Performance     |
|------------------------------|-------------|-----------------|-----------------|
| Center Freq.(Fo) +/- 0.5 %   |             | 657.25 MHz      | 657.25 MHz      |
| Tunable Range                |             | 657.25±5 MHz    | 657.25±5 MHz    |
| Insertion Loss               |             | Typ. 5.5 dB     | 4.71 dB         |
| -3 dB Bandwidth              |             | Typ. 6 MHz      | 10.1 MHz        |
| Sensitivity<br>(Attenuation) | Fo - 15 MHz | Typ. 26 dB      | 29 dB           |
|                              | Fo + 15 MHz | Typ. 24 dB      | 27 dB           |
|                              | Fo - ( )MHz | Typ. dB         | dB              |
|                              | Fo + ( )MHz | Typ. dB         | dB              |
| Return Loss                  |             | Min. 12 dB      | 23 dB           |
| Ripple                       |             | < 1 dB          | dB              |
| Impedance                    |             | In / Out : 75 Ω | In / Out : 75 Ω |
| (4) Torque for Tuning Screw  |             | > 60gf • cm     |                 |
| (5) Temperature Condition:   |             |                 |                 |
| Operating Temperature        |             | 0°C ~ +60°C     |                 |
| Storage Temperature          |             | -20°C ~ +70°C   |                 |
| (6) Input Power              |             | > 1Watt         |                 |

(7) Measuring Circuit: ※Easy to match Impedance S11/S22 75Ω by parallel with about(0pF)/(1pF).



|           |            |            |                                   |
|-----------|------------|------------|-----------------------------------|
| Approval  | Supervisor | Designer   | Aperture size                     |
| C.Y.Chang | C.S.Chang  | P.H.Chiang | 7H3(4*4.65)F<br>7H046RB4 / 046LB4 |

TEMWELL CORPORATION

TEMWELL

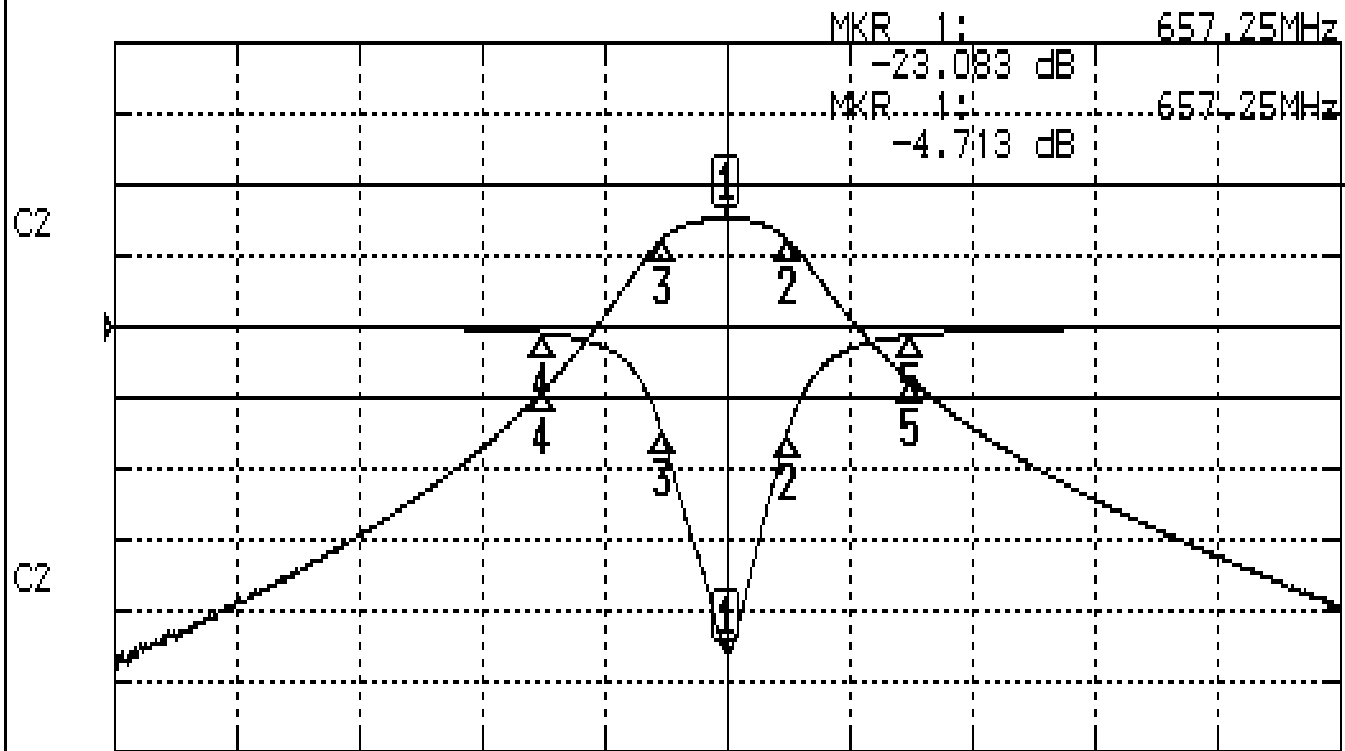
Form10-7H3F Vision D

RP(p.h)

# Performance-TTL6349F-657.25M

## 0611077DC

CH1 S11 LOG MAG REF 0.000 dB 5.000 dB/  
CH2 S21 LOG MAG REF 0.000 dB 10.000 dB/



CENTER 657.25MHz

[ 10.00 dBm ]

SPAN 100MHz

### CH1 MARKER LIST

| Marker | Frequency (MHz) | Magnitude (dB) |
|--------|-----------------|----------------|
| 1      | 657.250         | -23.083        |
| 2      | 662.166         | -7.654         |
| 3      | 652.000         | -7.470         |
| 4      | 642.250         | -0.455         |
| 5      | 672.250         | -0.639         |

### CH2 MARKER LIST

| Marker | Frequency (MHz) | Magnitude (dB) |
|--------|-----------------|----------------|
| 1      | 657.250         | -4.713         |
| 2      | 662.166         | -7.719         |
| 3      | 652.000         | -7.729         |
| 4      | 642.250         | -29.041        |
| 5      | 672.250         | -27.506        |