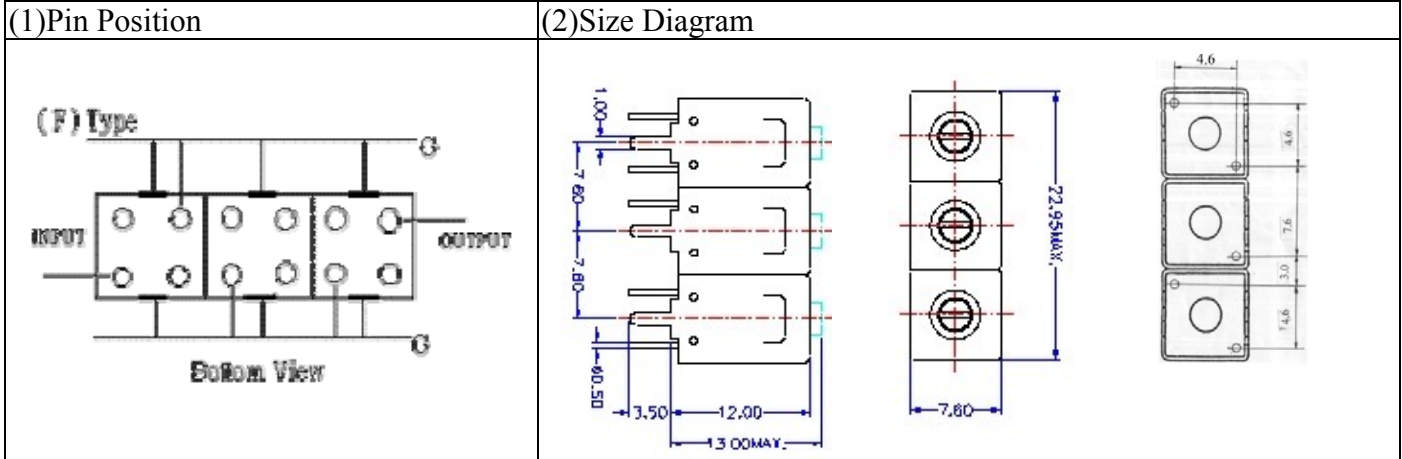


# VHF UHF Helical Filter Specification Sheet

Customer Name		Temwell's Part No.	TTL6348F-651.25M
Approval No. /dated	0611076APR	Acceptable Specify Fo Range	641~660 MHz
Work Instruction No.	0611076DC	Date	Dec.06.2006



(3) Electric Chararistic			
Item	Specify	Performance	
Center Freq.(Fo) +/- 0.5 %	651.25 MHz	651.25 MHz	
Tunable Range	651.25±5 MHz	651.25±5 MHz	
Insertion Loss	Typ. 5.5 dB	4.38 dB	
-3 dB Bandwidth	Typ. 6 MHz	10.6 MHz	
Sensitivity (Attenuation)	Fo - 15 MHz	Typ. 25 dB	28 dB
	Fo + 15 MHz	Typ. 23 dB	26 dB
	Fo - ( )MHz	Typ. dB	dB
	Fo +( )MHz	Typ. dB	dB
Return Loss	Min. 12 dB	37.1 dB	
Ripple	< 1 dB	dB	
Impedance	In / Out : 75 Ω	In / Out : 75 Ω	

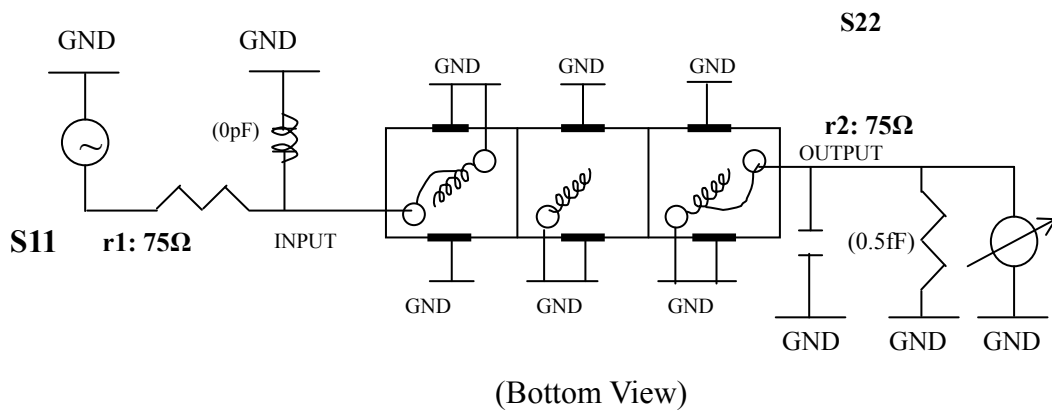
(4) Torque for Tuning Screw > 60gf • cm

(5) Temperature Condition:

Operating Temperature	0°C ~ +60°C
Storage Temperature	-20°C ~ +70°C

(6) Input Power > 1Watt

(7) Measuring Circuit: ※Easy to match Impedance S11/S22 75Ω by parallel with about(0pF)/(0.5fF).



Approval	Supervisor	Designer	Aperture size
C.Y.Chang	C.S.Chang	P.H.Chiang	7H3(4*4.65)F 7H046RB4 / 046LB4

TEMWELL CORPORATION

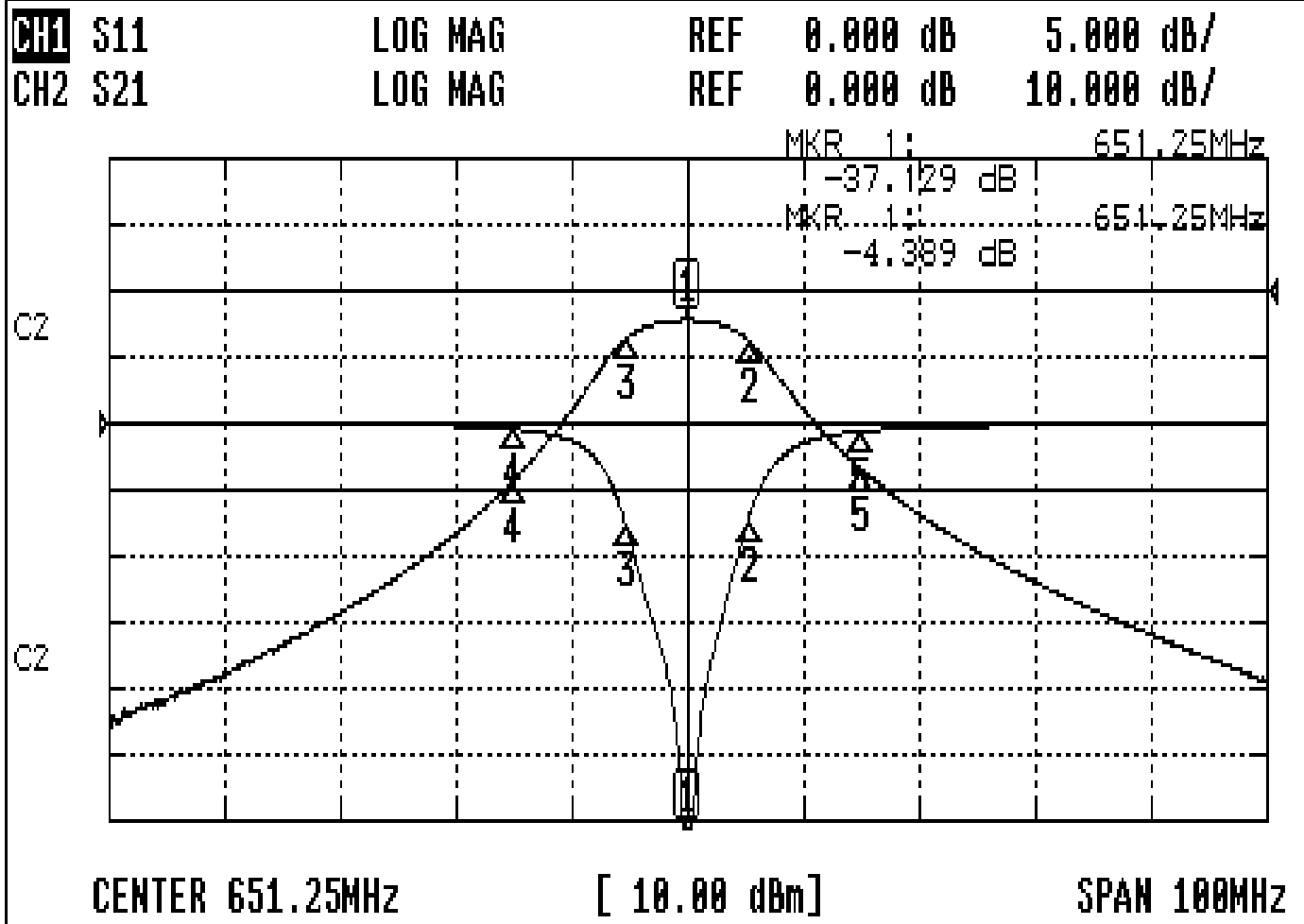
TEMWELL

Form10-7H3F Vision D

RP(p.h)

# Performance-TTL6348F-651.25M

## 0611076DC



### CH1 MARKER LIST

1	651.250MHz	-37.129	dB	
2	656.500MHz	-7.324	dB	
3	645.916MHz	-7.526	dB	
4	636.250MHz	-0.390	dB	
5	666.250MHz	-0.566	dB	

### CH2 MARKER LIST

1	651.250MHz	-4.389	dB	
2	656.500MHz	-7.388	dB	
3	645.916MHz	-7.317	dB	
4	636.250MHz	-26.033	dB	
5	666.250MHz	-26.050	dB	