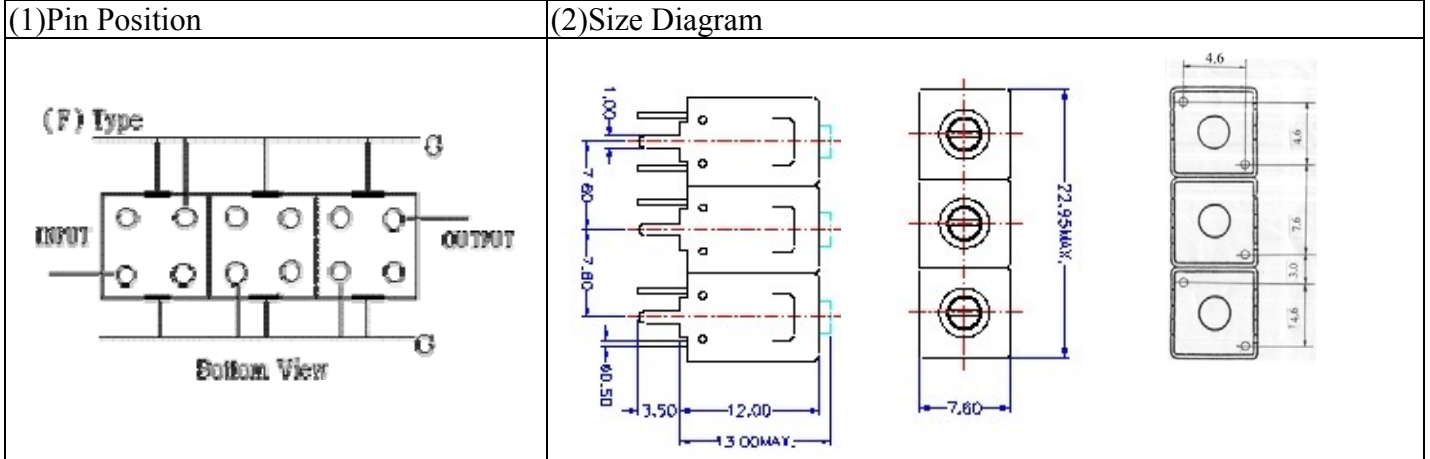


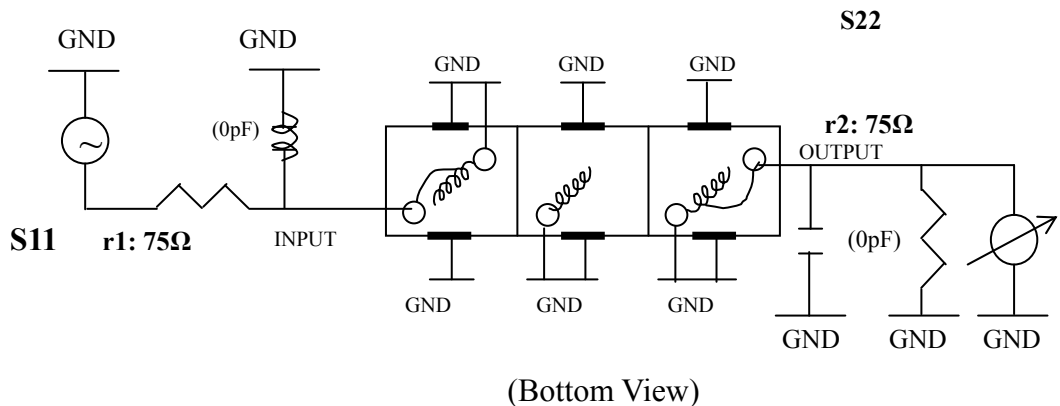
VHF UHF Helical Filter Specification Sheet

Customer Name		Temwell's Part No.	TTL6346F-639.25M
Approval No. /dated	0611071APR	Acceptable Specify Fo Range	596~640 MHz
Work Instruction No.	0611071DC	Date	Dec.06.2006



(3) Electric Characteristic			
Item	Specify	Performance	
Center Freq.(Fo) +/- 0.5 %	639.25 MHz	639.25 MHz	
Tunable Range	639.25±5 MHz	639.25±5 MHz	
Insertion Loss	Typ. 5.5 dB	4.54 dB	
-3 dB Bandwidth	Typ. 6 MHz	9.7 MHz	
Sensitivity (Attenuation)	Fo - 15 MHz	Typ. 24 dB	27 dB
	Fo + 15 MHz	Typ. 20 dB	23 dB
	Fo - ()MHz	Typ. dB	dB
	Fo + ()MHz	Typ. dB	dB
Return Loss	Min. 12 dB	36.9 dB	
Ripple	< 1 dB	dB	
Impedance	In / Out : 75 Ω	In / Out : 75 Ω	
(4) Torque for Tuning Screw	> 100gf • cm		
(5) Temperature Condition:			
Operating Temperature	0°C ~ +60°C		
Storage Temperature	-20°C ~ +70°C		
(6) Input Power	> 1Watt		

(7) Measuring Circuit: ※Easy to match Impedance S11/S22 75Ω by parallel with about(0pF)/(0pF).



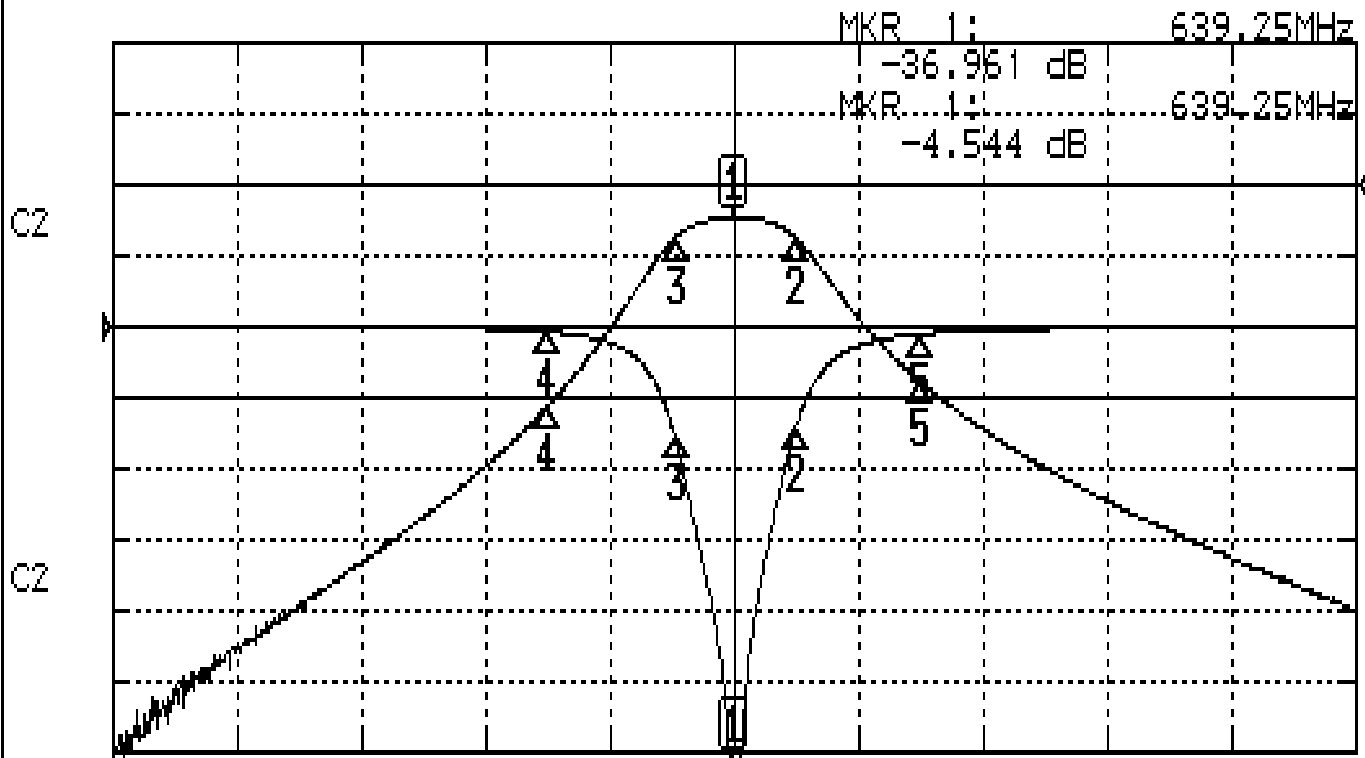
Approval	Supervisor	Designer	Aperture size
C.Y.Chang	C.S.Chang	P.H.Chiang	7H3(4*4.65)F 7H046RB4/7H046LB4

TEMWELL CORPORATION

Performance-TTL6346F-639.25M

0611071DC

CH1 S11 LOG MAG REF 0.000 dB 5.000 dB/
CH2 S21 LOG MAG REF 0.000 dB 10.000 dB/



CENTER 639.25MHz

[10.00 dBm]

SPAN 100MHz

CH1 MARKER LIST

Marker	Frequency (MHz)	Magnitude (dB)
1	639.250	-36.961
2	644.250	-7.121
3	634.500	-7.721
4	624.250	-0.348
5	654.250	-0.526

CH2 MARKER LIST

Marker	Frequency (MHz)	Magnitude (dB)
1	639.250	-4.544
2	644.250	-7.568
3	634.500	-7.565
4	624.250	-31.258
5	654.250	-27.681