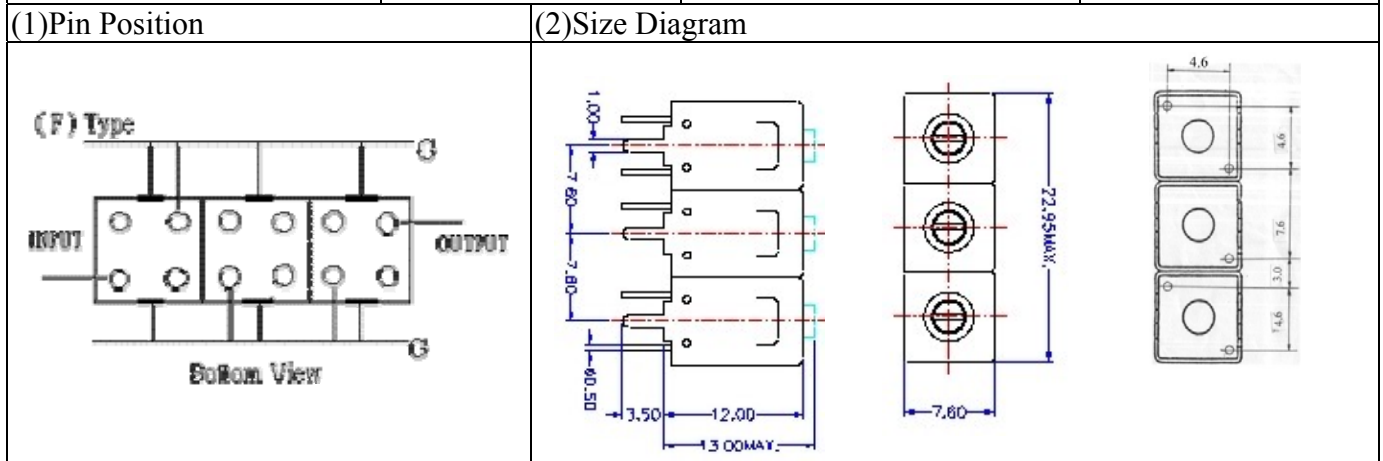


VHF UHF Helical Filter Specification Sheet

Customer Name		Temwell's Part No.	TTL6345F-633.25M
Approval No. /dated	0611070APR	Acceptable Specify Fo Range	596~640 MHz
Work Instruction No.	0611070DC	Date	Dec.06.2006



(3) Electric Characteristic

Item	Specify	Performance
Center Freq.(Fo) +/- 0.5 %	633.25 MHz	633.25 MHz
Tunable Range	633.25±5 MHz	633.25±5 MHz
Insertion Loss	Typ. 5.5 dB	4.59 dB
-3 dB Bandwidth	Typ. 6 MHz	10.3 MHz
Sensitivity (Attenuation)	Fo - 15 MHz	Typ. 21 dB
	Fo + 15 MHz	Typ. 19 dB
	Fo - ()MHz	Typ. dB
	Fo +()MHz	Typ. dB
Return Loss	Min. 12 dB	35.6 dB
Ripple	< 1 dB	dB
Impedance	In / Out : 75 Ω	In / Out : 75 Ω

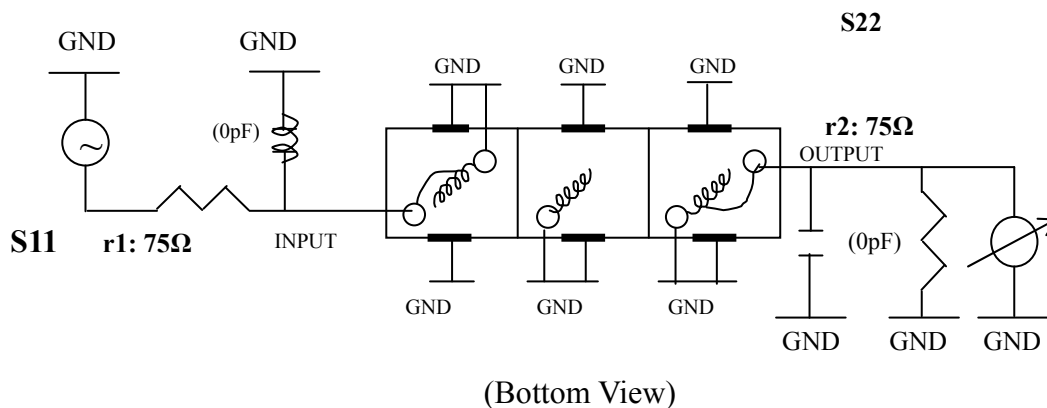
(4) Torque for Tuning Screw > 100gf · cm

(5) Temperature Condition:

Operating Temperature	0°C ~ +60°C
Storage Temperature	-20°C ~ +70°C

(6) Input Power > 1Watt

(7) Measuring Circuit: ※ Easy to match Impedance S11/S22 75Ω by parallel with about(0pF)/(0pF).

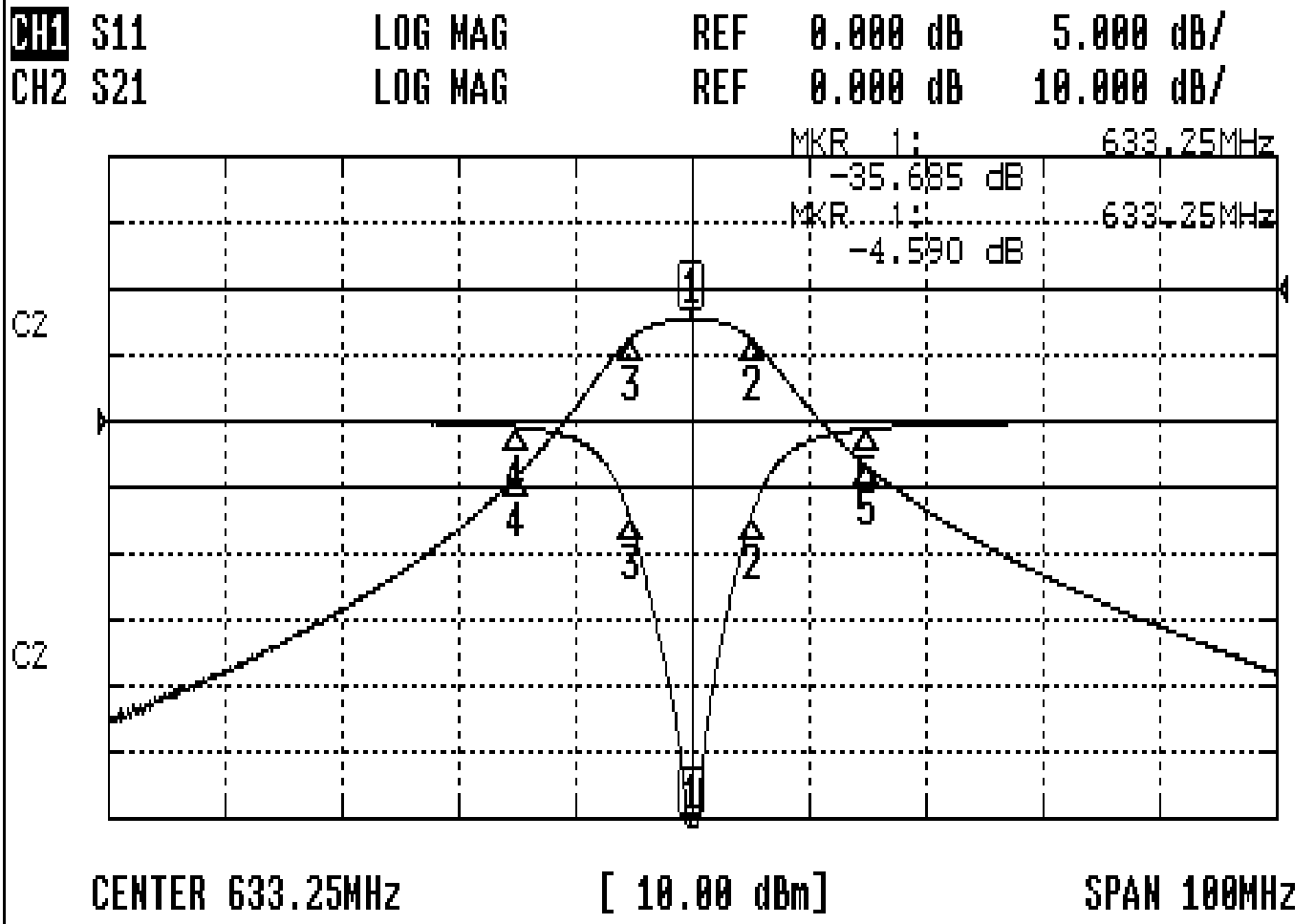


Approval	Supervisor	Designer	Aperture size
C.Y.Chang	C.S.Chang	P.H.Chiang	7H3(4*4.65)F

TEMWELL CORPORATION

Performance-TTL6345F-633.25M

0611070DC



CH1 MARKER LIST

1	633.250MHz	-35.685 dB
2	666.333MHz	-7.293 dB
3	628.000MHz	-7.406 dB
4	618.250MHz	-0.444 dB
5	648.250MHz	-0.593 dB

CH2 MARKER LIST

1	633.250MHz	-4.590 dB
2	666.333MHz	-7.627 dB
3	628.000MHz	-7.579 dB
4	618.250MHz	-28.893 dB
5	648.250MHz	-26.733 dB