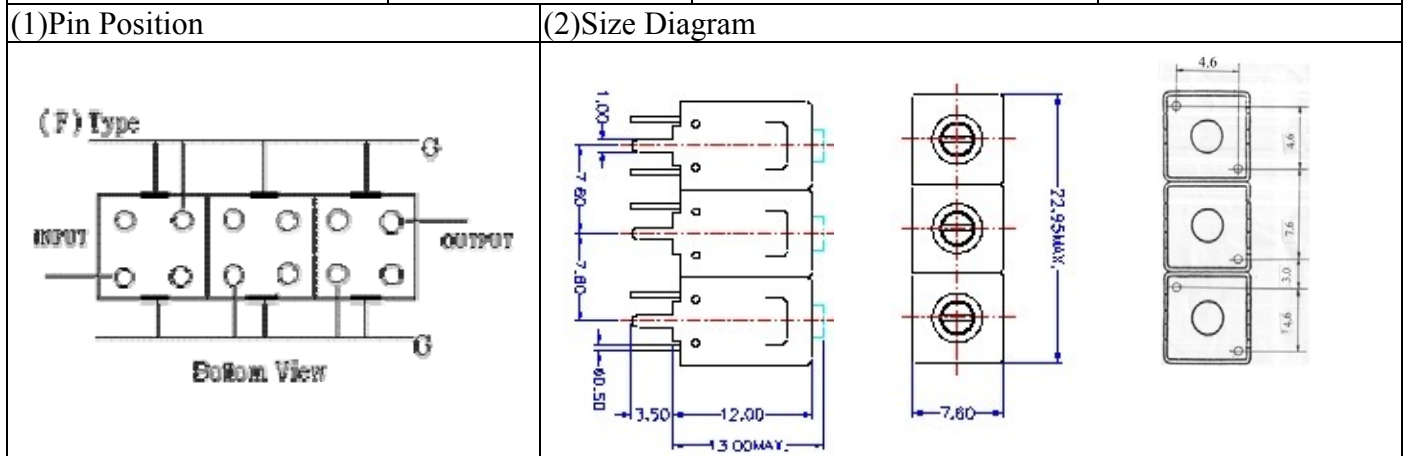


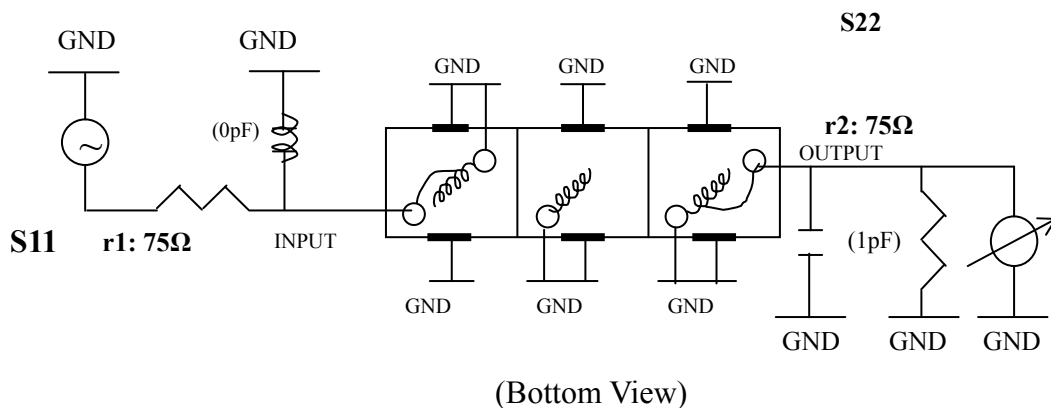
VHF UHF Helical Filter Specification Sheet

Customer Name		Temwell's Part No.	TTL6344F-627.25M
Approval No. /dated	0611069APR	Acceptable Specify Fo Range	596~640 MHz
Work Instruction No.	0611069DC	Date	Dec.06.2006



(3) Electric Characteristic			
Item		Specify	Performance
Center Freq.(Fo) +/- 0.5 %		627.25 MHz	627.25 MHz
Tunable Range		627.25±5 MHz	627.25±5 MHz
Insertion Loss		Typ. 5.5 dB	3.87 dB
-3 dB Bandwidth		Typ. 6 MHz	11.8 MHz
Sensitivity (Attenuation)	Fo - 15 MHz	Typ. 20 dB	23 dB
	Fo + 15 MHz	Typ. 19 dB	22 dB
	Fo - ()MHz	Typ. dB	dB
	Fo +()MHz	Typ. dB	dB
Return Loss		Min. 12 dB	31.1 dB
Ripple		< 1 dB	dB
Impedance		In / Out : 75 Ω	In / Out : 75 Ω
(4) Torque for Tuning Screw		> 100gf • cm	
(5) Temperature Condition:			
Operating Temperature		0°C ~ +60°C	
Storage Temperature		-20°C ~ +70°C	
(6) Input Power		> 1Watt	

(7) Measuring Circuit: ※Easy to match Impedance S11/S22 75Ω by parallel with about(0pF)/(1pF).



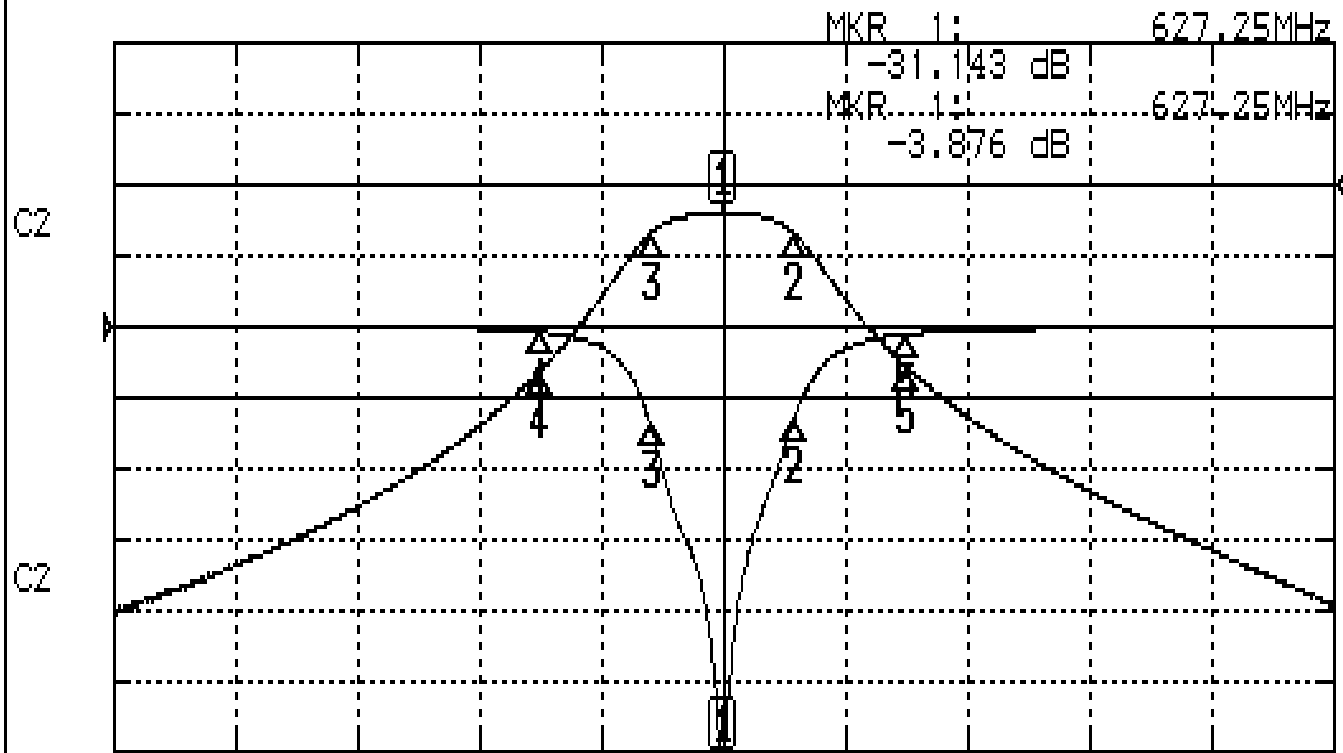
Approval	Supervisor	Designer	Aperture size
C.Y.Chang	C.S.Chang	P.H.Chiang	7H3(4*4.65)F 7H046RB4/7H046LB4

TEMWELL CORPORATION

Performance-TTL6344F-627.25M

0611069DC

CH1 S11 LOG MAG REF 0.000 dB 5.000 dB/
CH2 S21 LOG MAG REF 0.000 dB 10.000 dB/



CENTER 627.25MHz

[10.00 dBm]

SPAN 100MHz

CH1 MARKER LIST

1	627.250MHz	-31.143	dB
2	633.083MHz	-16.540	dB
3	621.250MHz	-16.746	dB
4	612.250MHz	-10.389	dB
5	642.250MHz	-0.547	dB

CH2 MARKER LIST

1	627.250MHz	-3.876	dB
2	633.083MHz	-16.890	dB
3	621.250MHz	-16.986	dB
4	612.250MHz	-12.232	dB
5	642.250MHz	-25.589	dB