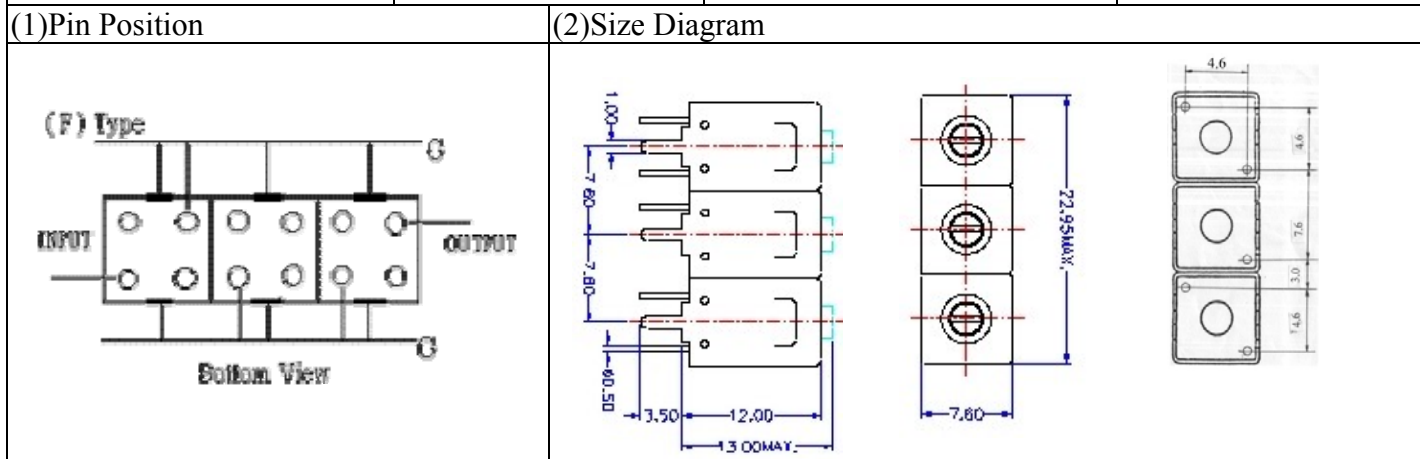


VHF UHF Helical Filter Specification Sheet

Customer Name		Temwell's Part No.	TTL6343F-621.25M
Approval No. /dated	0611068APR	Acceptable Specify Fo Range	596~640 MHz
Work Instruction No.	0611068DC	Date	Dec.06.2006



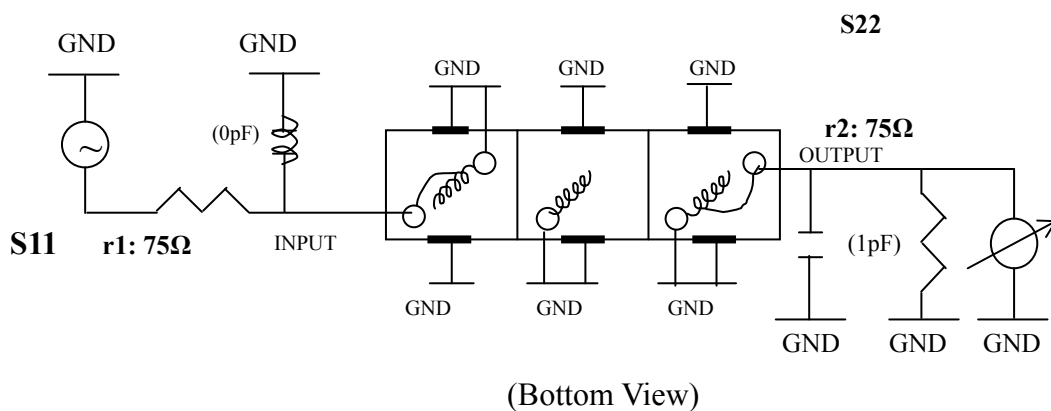
(3) Electric Characteristic

Item	Specify	Performance	
Center Freq.(Fo) +/- 0.5 %	621.25 MHz	621.25 MHz	
Tunable Range	621.25±5 MHz	621.25±5 MHz	
Insertion Loss	Typ. 5.5 dB	4.33 dB	
-3 dB Bandwidth	Typ. 7 MHz	10.9 MHz	
Sensitivity (Attenuation)	Fo - 15 MHz	Typ. 20 dB	23 dB
	Fo + 15 MHz	Typ. 20 dB	23 dB
	Fo - ()MHz	Typ. dB	dB
	Fo + ()MHz	Typ. dB	dB
Return Loss	Min. 12 dB	27.4 dB	
Ripple	< 1 dB	dB	
Impedance	In / Out : 75 Ω	In / Out : 75 Ω	
(4) Torque for Tuning Screw	> 100gf · cm		

(5) Temperature Condition:

Operating Temperature	0°C ~ +60°C
Storage Temperature	-20°C ~ +70°C
(6) Input Power	> 1 Watt

(7) Measuring Circuit: ※Easy to match Impedance S11/S22 75Ω by parallel with about(0pF)/(1pF).



Approval	Supervisor	Designer	Aperture size
C.Y.Chang	C.S.Chang	P.H.Chiang	7H3(4*4.65)F 7H046LB4 聚 3/7H046RB4

TEMWELL CORPORATION

TEMWELL

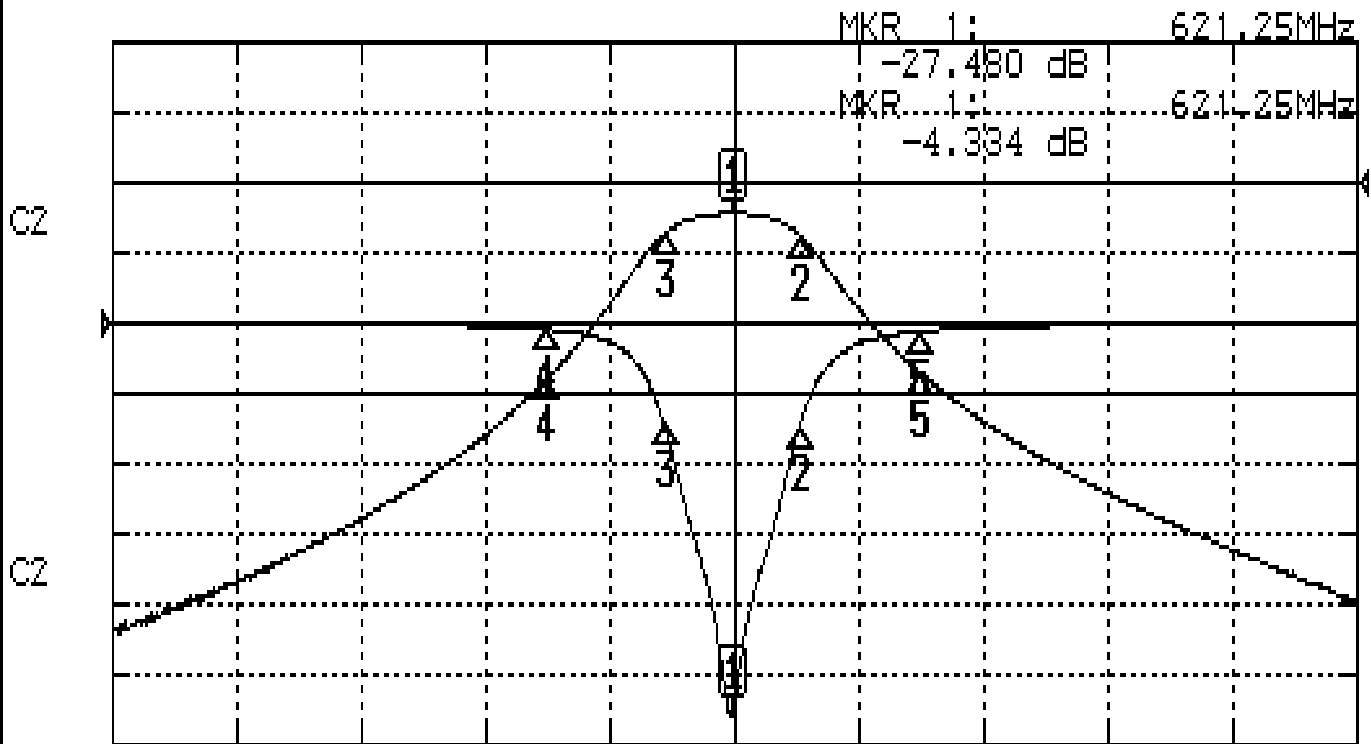
Form10-7H3F Vision D

RP(p.h)

Performance-TTL6343F-621.25M

0611068DC

CH1 S11 LOG MAG REF 0.000 dB 5.000 dB/
CH2 S21 LOG MAG REF 0.000 dB 10.000 dB/



CENTER 621.25MHz

[10.00 dBm]

SPAN 100MHz

CH1 MARKER LIST

Marker	Frequency (MHz)	Magnitude (dB)
1:	621.250MHz	-27.480 dB
2:	626.500MHz	-7.427 dB
3:	615.666MHz	-7.202 dB
4:	606.250MHz	-0.409 dB
5:	636.250MHz	-0.545 dB

CH2 MARKER LIST

Marker	Frequency (MHz)	Magnitude (dB)
1:	621.250MHz	-4.334 dB
2:	626.500MHz	-7.395 dB
3:	615.666MHz	-7.312 dB
4:	606.250MHz	-27.883 dB
5:	636.250MHz	-27.034 dB