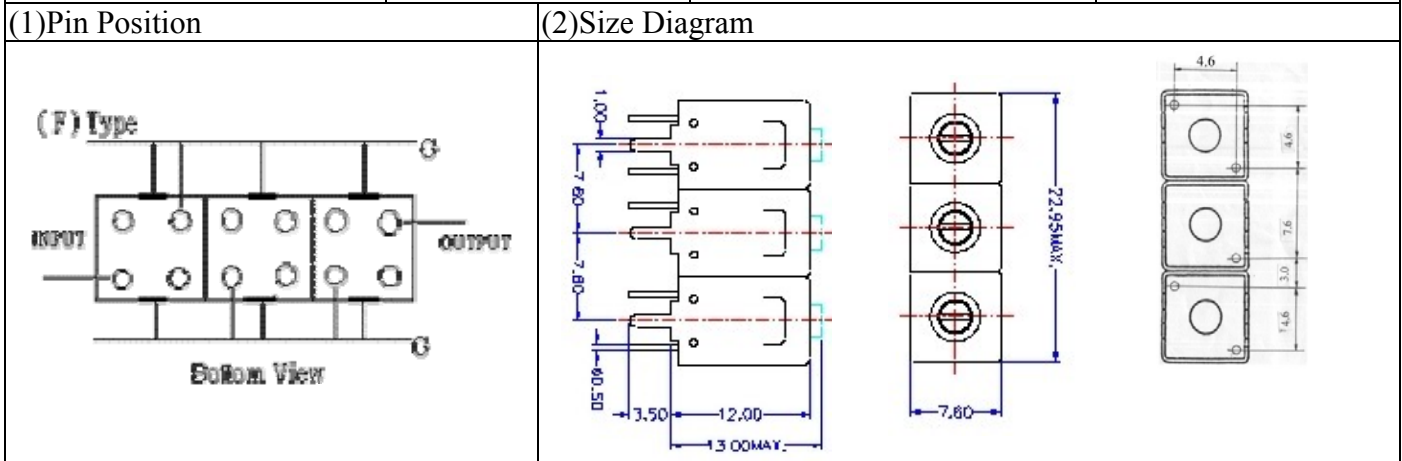


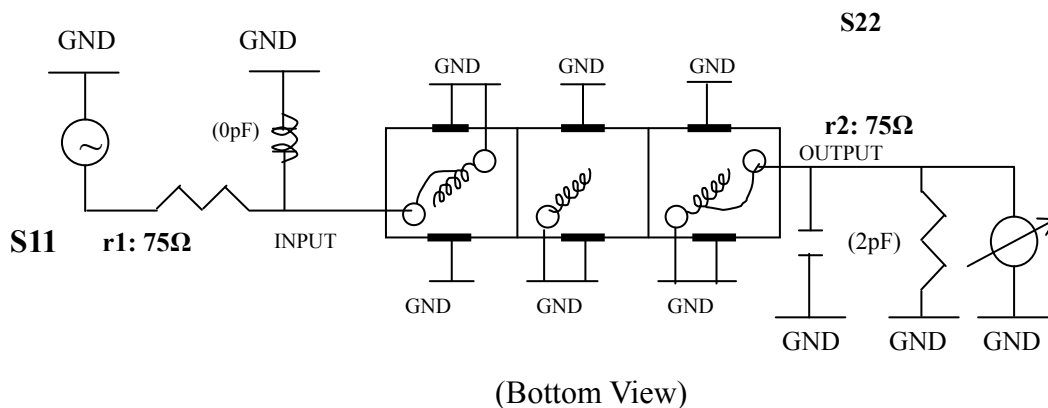
# VHF UHF Helical Filter Specification Sheet

Customer Name		Temwell's Part No.	TTL6341F-609.25M
Approval No. /dated	0611066APR	Acceptable Specify Fo Range	596~640 MHz
Work Instruction No.	0611066DC	Date	Nov.21.2006



Item		Specify	Performance
Center Freq.(Fo) +/- 0.5 %		609.25 MHz	609.25 MHz
Tunable Range		609.25±5 MHz	609.25±5 MHz
Insertion Loss		Typ. 5.5 dB	4.60 dB
-3 dB Bandwidth		Typ. 6 MHz	9.3 MHz
Sensitivity (Attenuation)	Fo - 15 MHz	Typ. 25 dB	28 dB
	Fo + 15 MHz	Typ. 20 dB	23 dB
	Fo - ( )MHz	Typ. dB	dB
	Fo + ( )MHz	Typ. dB	dB
Return Loss		Min. 12 dB	23.2 dB
Ripple		< 1 dB	dB
Impedance		In / Out : 75 Ω	In / Out : 75 Ω
(4) Torque for Tuning Screw		> 100gf · cm	
(5) Temperature Condition:			
Operating Temperature		-0°C ~ +60°C	
Storage Temperature		-20°C ~ +70°C	
(6) Input Power		> 1Watt	

(7) Measuring Circuit: ※Easy to match Impedance S11/S22 75Ω by parallel with about(0pF)/(2pF).



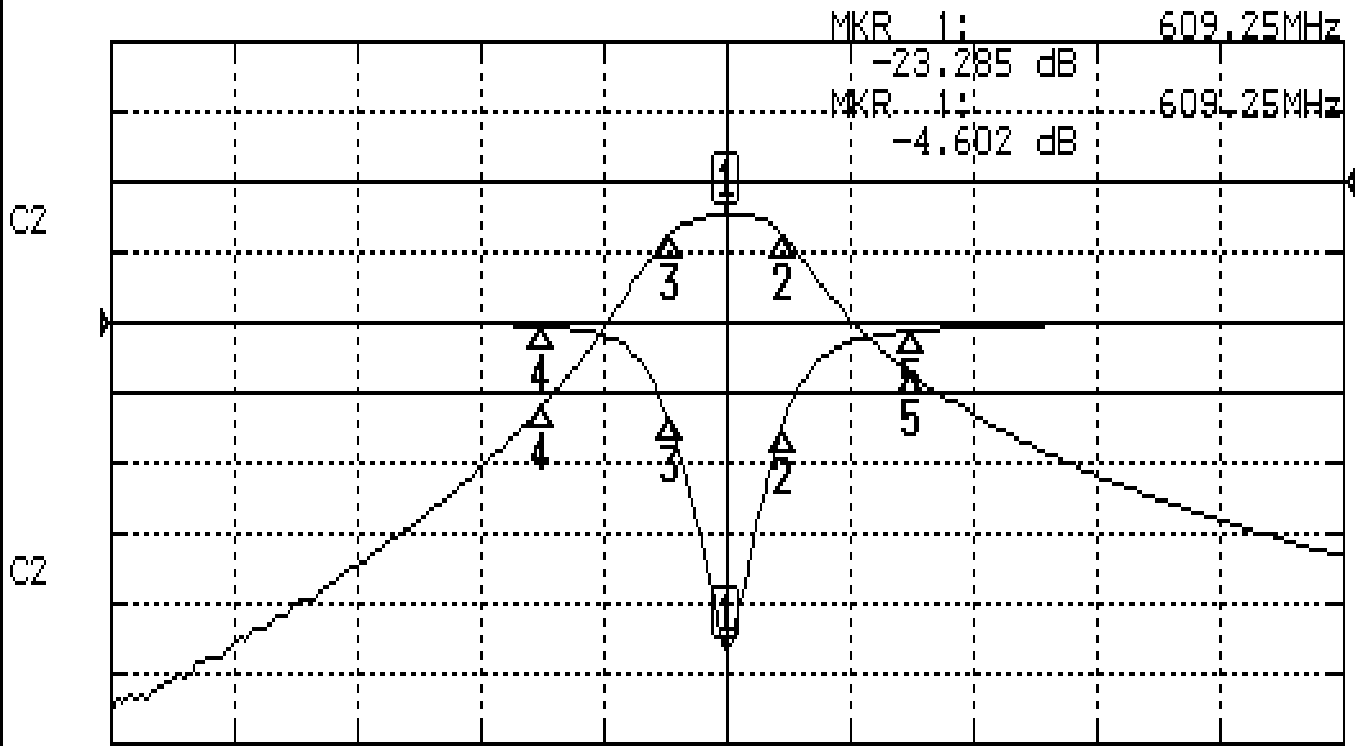
Approval	Supervisor	Designer	Aperture size
C.Y.Chang	C.S.Chang	C.S.Chang	7H3(4*4.65)F 7H046LB4 聚 3

TEMWELL CORPORATION

# Performance-TTL6341F-609.25M

## 0611066DC

CH1 S11 LOG MAG REF 0.000 dB 5.000 dB/  
CH2 S21 LOG MAG REF 0.000 dB 10.000 dB/



CENTER 609.25MHz

[ 10.00 dBm ]

SPAN 100MHz

### CH1 MARKER LIST

1:	609.250MHz	-23.285	dB
2:	613.833MHz	-7.309	dB
3:	604.583MHz	-6.911	dB
4:	594.250MHz	-0.266	dB
5:	624.250MHz	-0.590	dB

### CH2 MARKER LIST

1:	609.250MHz	-4.602	dB
2:	613.833MHz	-7.561	dB
3:	604.583MHz	-7.591	dB
4:	594.250MHz	-32.012	dB
5:	624.250MHz	-27.253	dB