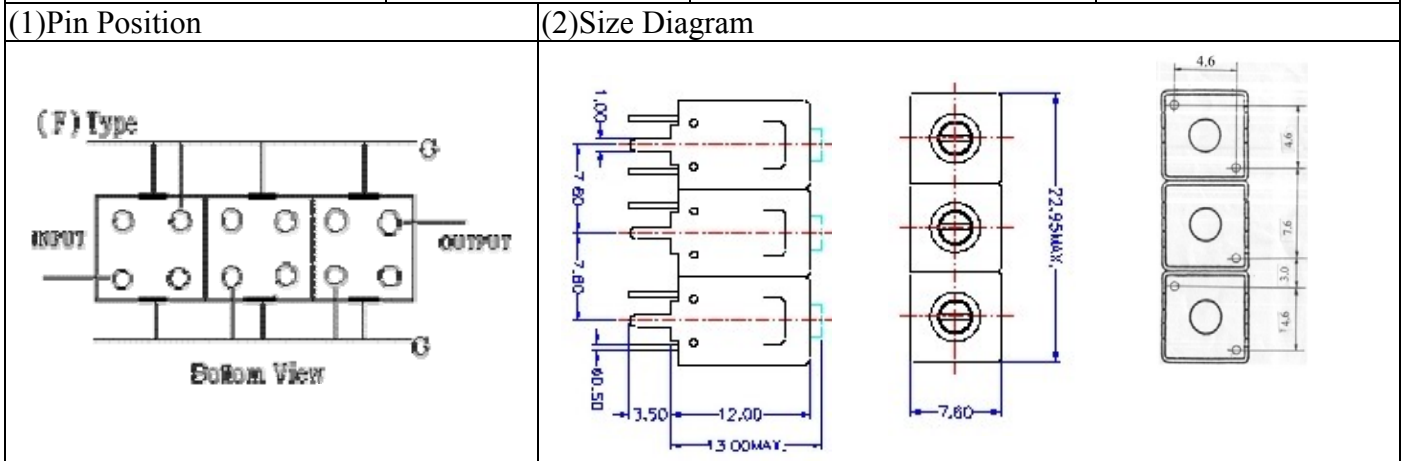


VHF UHF Helical Filter Specification Sheet

Customer Name		Temwell's Part No.	TTL6340F-603.25M
Approval No. /dated	0611065APR	Acceptable Specify Fo Range	596~640 MHz
Work Instruction No.	0611065DC	Date	Nov.20.2006



(3) Electric Characteristic

Item	Specify	Performance
Center Freq.(Fo) +/- 0.5 %	603.25 MHz	603.25 MHz
Tunable Range	603.25±5 MHz	603.25±5 MHz
Insertion Loss	Typ. 5.5 dB	4.77 dB
-3 dB Bandwidth	Typ. 6 MHz	9.3 MHz
Sensitivity (Attenuation)	Fo - 15 MHz	Typ. 25 dB
	Fo + 15 MHz	Typ. 21 dB
	Fo - ()MHz	Typ. dB
	Fo + ()MHz	Typ. dB
Return Loss	Min. 12 dB	23.6 dB
Ripple	< 1 dB	dB
Impedance	In / Out : 75 Ω	In / Out : 75 Ω

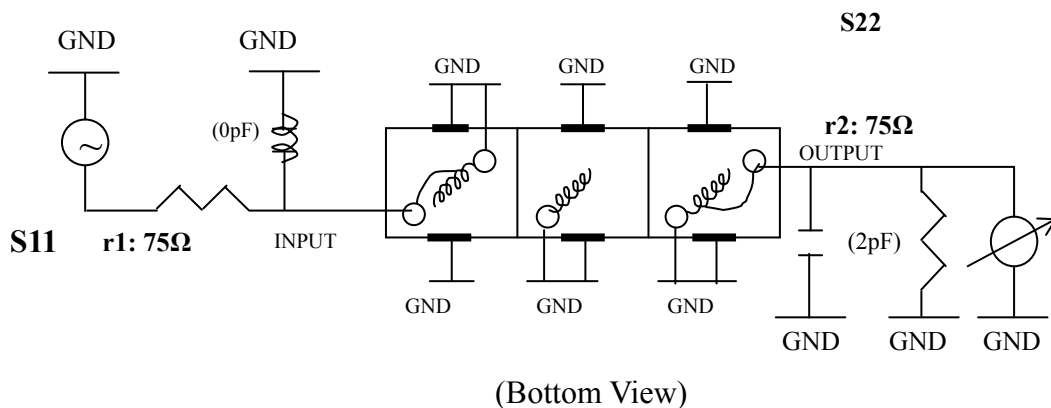
(4) Torque for Tuning Screw > 100gf · cm

(5) Temperature Condition:

Operating Temperature	-0°C ~ +60°C
Storage Temperature	-20°C ~ +70°C

(6) Input Power > 1Watt

(7) Measuring Circuit: ※Easy to match Impedance S11/S22 75Ω by parallel with about(0pF)/(2pF).



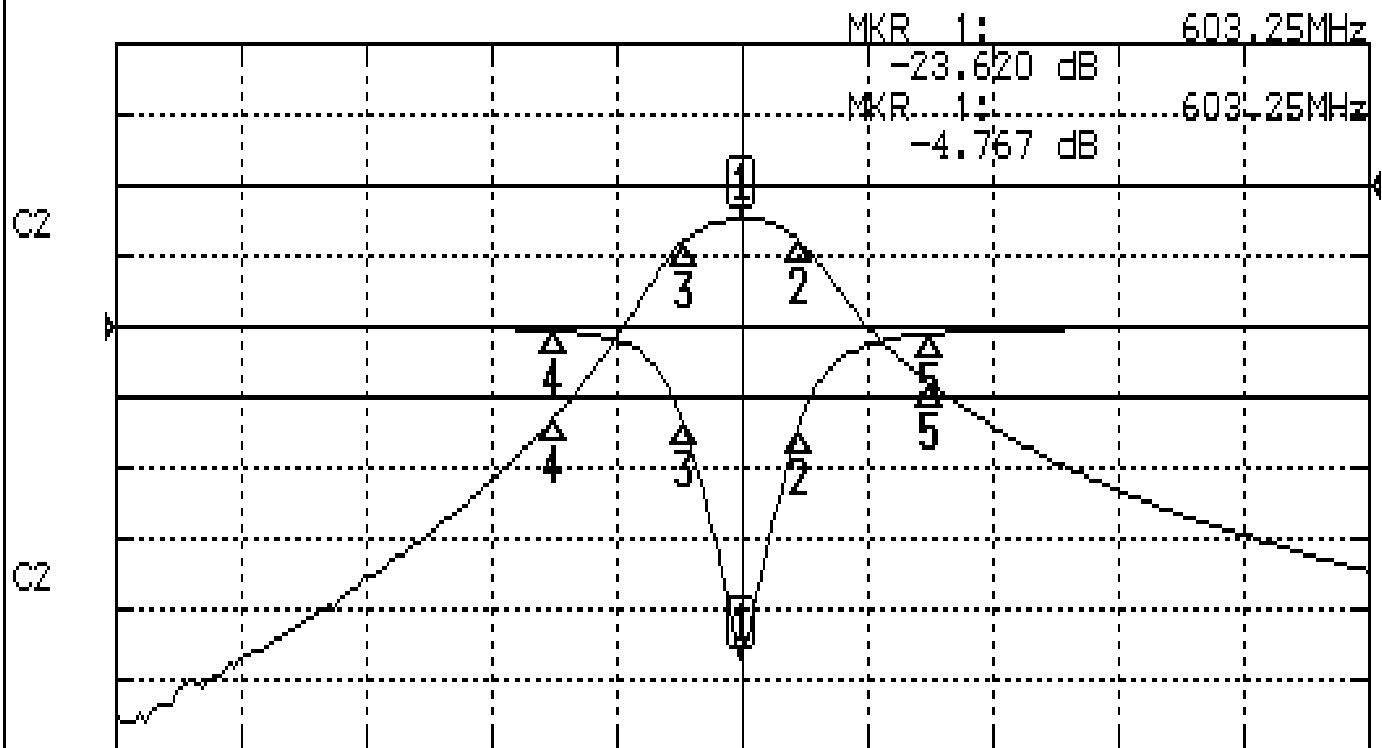
Approval	Supervisor	Designer	Aperture size
C.Y.Chang	C.S.Chang	C.S.Chang	7H3(4*4.65)F 7H046LB4 聚 3

TEMWELL CORPORATION

Performance-TTL6340F-603.25M

0611065DC

CH1 S11 LOG MAG REF 0.000 dB 5.000 dB/
CH2 S21 LOG MAG REF 0.000 dB 10.000 dB/



CENTER 603.25MHz

[10.00 dBm]

SPAN 100MHz

CH1 MARKER LIST

Marker	Frequency (MHz)	Magnitude (dB)
1:	603.250MHz	-23.620 dB
2:	607.0833MHz	-7.119 dB
3:	598.5083MHz	-6.880 dB
4:	588.250MHz	-0.304 dB
5:	618.250MHz	-0.536 dB

CH2 MARKER LIST

Marker	Frequency (MHz)	Magnitude (dB)
1:	603.250MHz	-4.770 dB
2:	607.0833MHz	-7.799 dB
3:	598.5083MHz	-7.790 dB
4:	588.250MHz	-32.985 dB
5:	618.250MHz	-28.180 dB