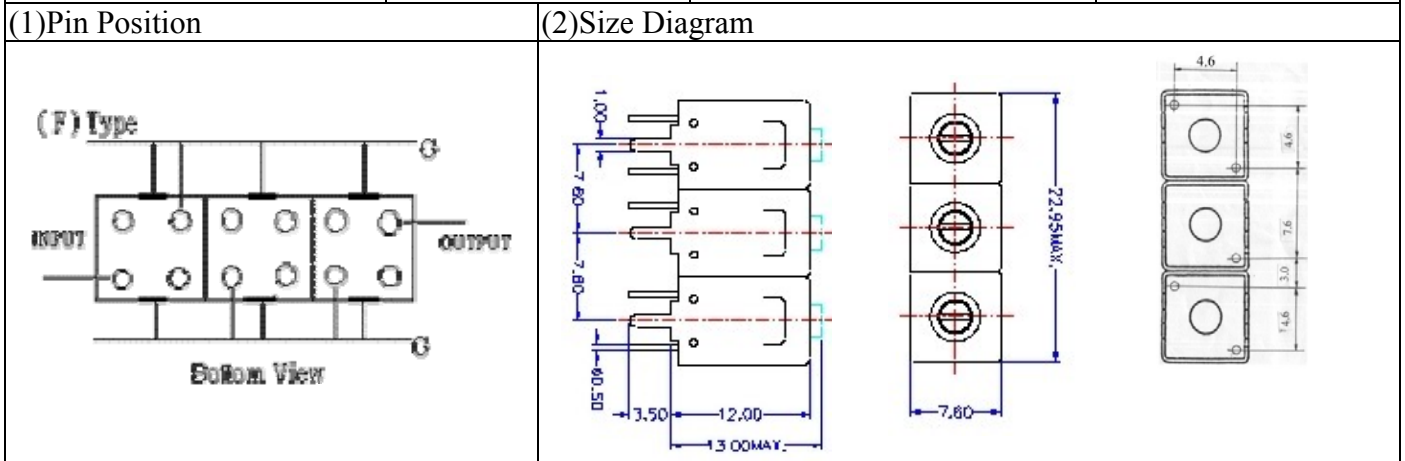


VHF UHF Helical Filter Specification Sheet

Customer Name		Temwell's Part No.	TTL6339F-597.25M
Approval No. /dated	0611064APR	Acceptable Specify Fo Range	596~640 MHz
Work Instruction No.	0611064DC	Date	Nov.20.2006



(3) Electric Chararistic

Item	Specify	Performance	
Center Freq.(Fo) +/- 0.5 %	597.25 MHz	597.25 MHz	
Tunable Range	597.25±5 MHz	597.25±5 MHz	
Insertion Loss	Typ. 5.5 dB	4.79 dB	
-3 dB Bandwidth	Typ. 6 MHz	9.1 MHz	
Sensitivity (Attenuation)	Fo - 15 MHz	Typ. 26 dB	29 dB
	Fo + 15 MHz	Typ. 21 dB	24 dB
	Fo - ()MHz	Typ. dB	dB
	Fo +()MHz	Typ. dB	dB
Return Loss	Min. 12 dB	26.1 dB	
Ripple	< 1 dB	dB	
Impedance	In / Out : 75 Ω	In / Out : 75 Ω	

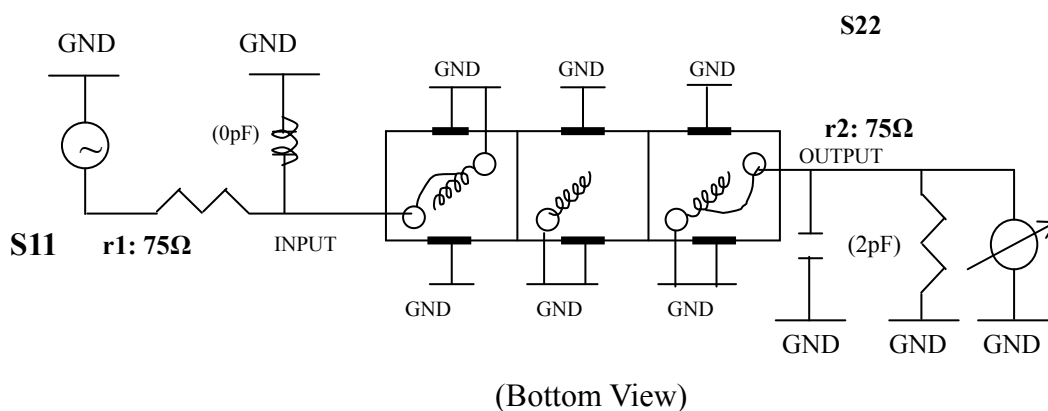
(4) Torque for Tuning Screw > 100gf · cm

(5) Temperature Condition:

Operating Temperature	-0°C ~ +60°C
Storage Temperature	-20°C ~ +70°C

(6) Input Power > 1Watt

(7) Measuring Circuit: ※Easy to match Impedance S11/S22 75Ω by parallel with about(0pF)/(2pF).

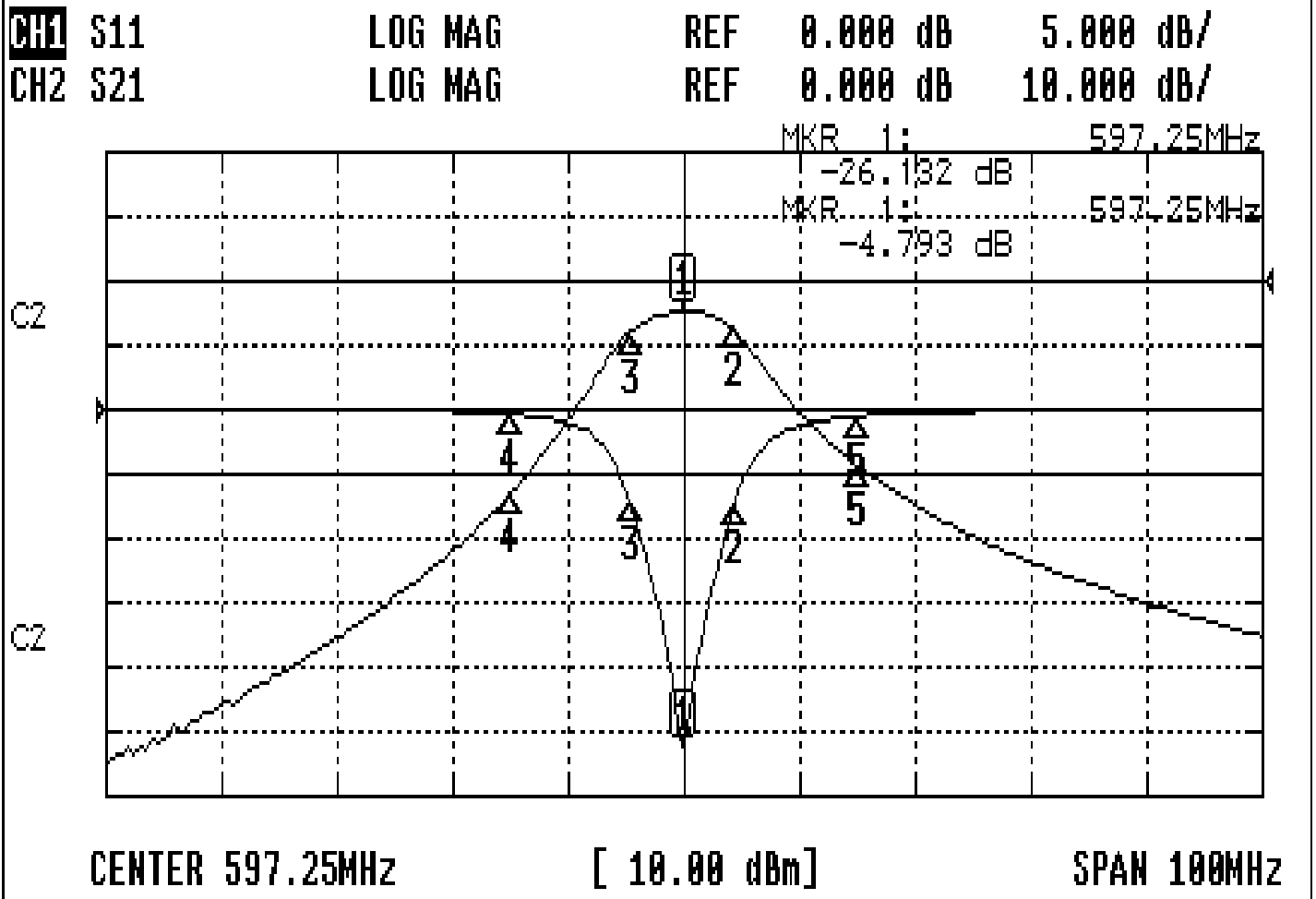


Approval	Supervisor	Designer	Aperture size
C.Y.Chang	C.S.Chang	C.S.Chang	7H3(4*4.65)F 7H046LB4 聚 3

TEMWELL CORPORATION

Performance-TTL6339F-597.25M

0611064DC



CH1 MARKER LIST

1:	597.250MHz	-26.132	dB
2:	601.666MHz	-7.365	dB
3:	599.250MHz	-7.102	dB
4:	582.250MHz	-0.353	dB
5:	612.250MHz	-0.500	dB

CH2 MARKER LIST

1:	597.250MHz	-4.791	dB
2:	601.666MHz	-7.729	dB
3:	599.250MHz	-7.800	dB
4:	582.250MHz	-33.098	dB
5:	612.250MHz	-28.719	dB