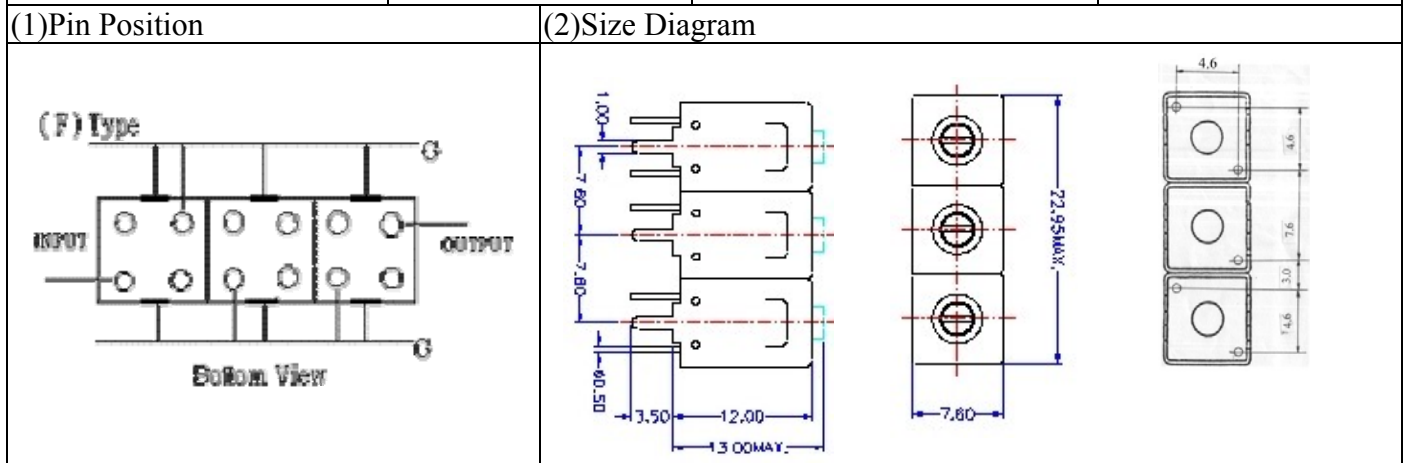


# VHF UHF Helical Filter Specification Sheet

Customer Name		Temwell's Part No.	TTL6337F-585.25M
Approval No. /dated	0611062APR	Acceptable Specify Fo Range	556~595 MHz
Work Instruction No.	0611062DC	Date	Nov.21.2006



(3) Electric Characteristic

Item	Specify	Performance	
Center Freq.(Fo) +/- 0.5 %	585.25 MHz	585.25 MHz	
Tunable Range	585.25±5 MHz	585.25±5 MHz	
Insertion Loss	Typ. 5.5 dB	4.45 dB	
-3 dB Bandwidth	Typ. 6 MHz	9.8 MHz	
Sensitivity (Attenuation)	Fo - 15 MHz	Typ. 22 dB	25 dB
	Fo + 15 MHz	Typ. 17 dB	20 dB
	Fo - ( )MHz	Typ. dB	dB
	Fo +( )MHz	Typ. dB	dB
Return Loss	Min. 12 dB	23.6 dB	
Ripple	< 1 dB	dB	
Impedance	In / Out : 75 Ω	In / Out : 75 Ω	

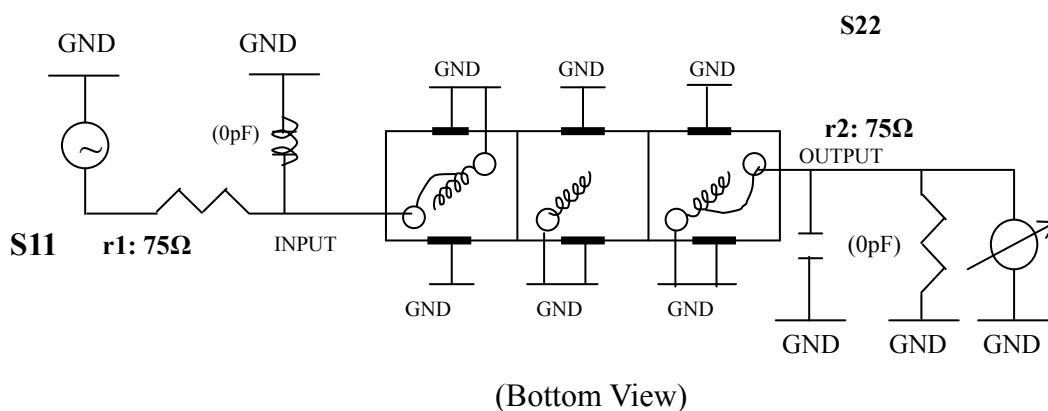
(4) Torque for Tuning Screw > 100gf · cm

(5) Temperature Condition:

Operating Temperature	-0°C ~ +60°C
Storage Temperature	-20°C ~ +70°C

(6) Input Power > 1Watt

(7) Measuring Circuit: ※Easy to match Impedance S11/S22 75Ω by parallel with about(0pF)/(0pF).

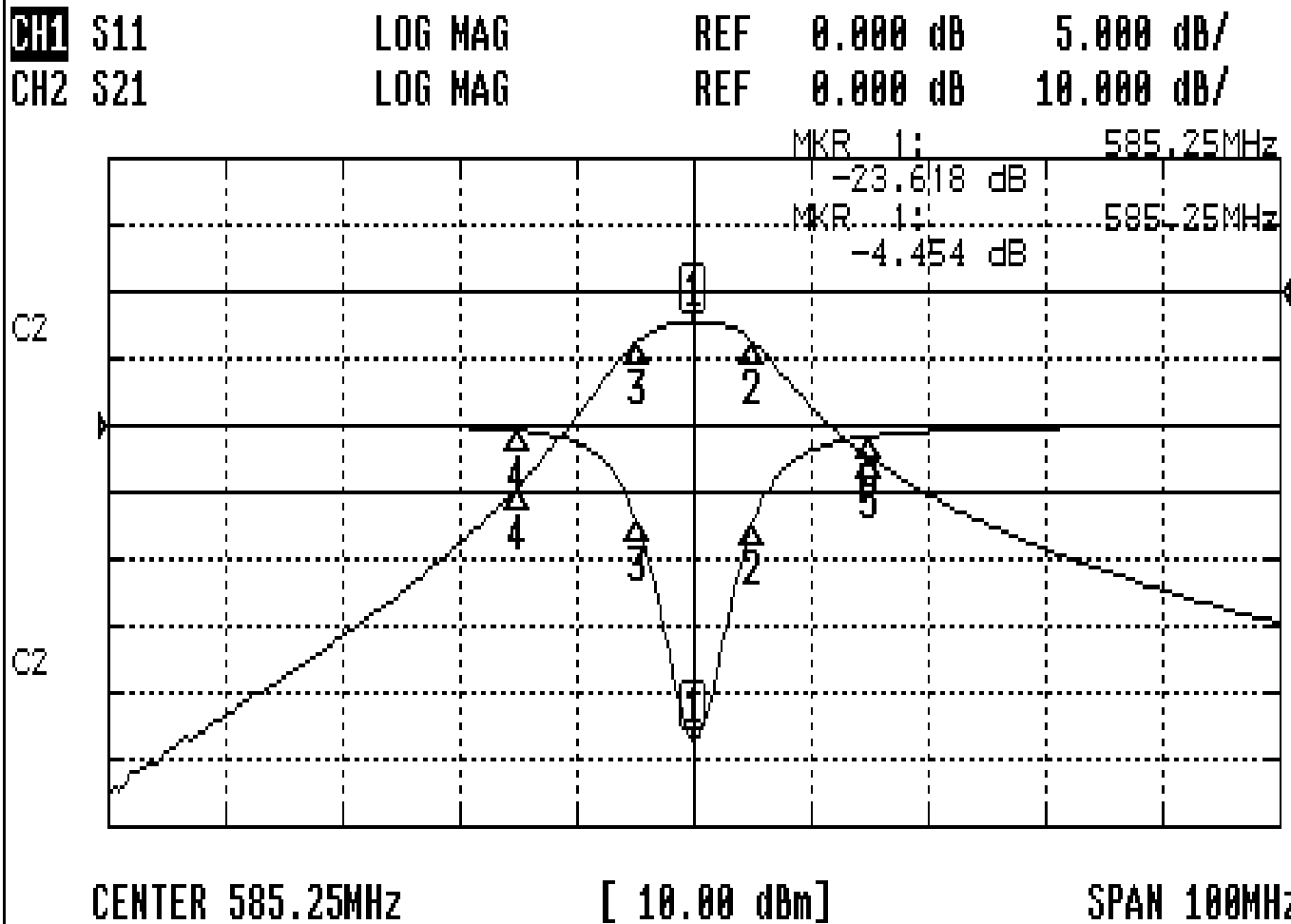


Approval	Supervisor	Designer	Aperture size
C.Y.Chang	C.S.Chang	C.S.Chang	7H3(4*4.65)F 7H046LB4 聚 3

TEMWELL CORPORATION

# Performance-TTL6337F-585.25M

## 0611062DC



### CH1 MARKER LIST

1:	585.250MHz	-23.618	dB
2:	590.250MHz	-7.472	dB
3:	580.416MHz	-7.095	dB
4:	570.250MHz	-0.358	dB
5:	600.250MHz	-0.805	dB

### CH2 MARKER LIST

1:	585.250MHz	-4.454	dB
2:	590.250MHz	-7.403	dB
3:	580.416MHz	-7.496	dB
4:	570.250MHz	-29.161	dB
5:	600.250MHz	-24.836	dB